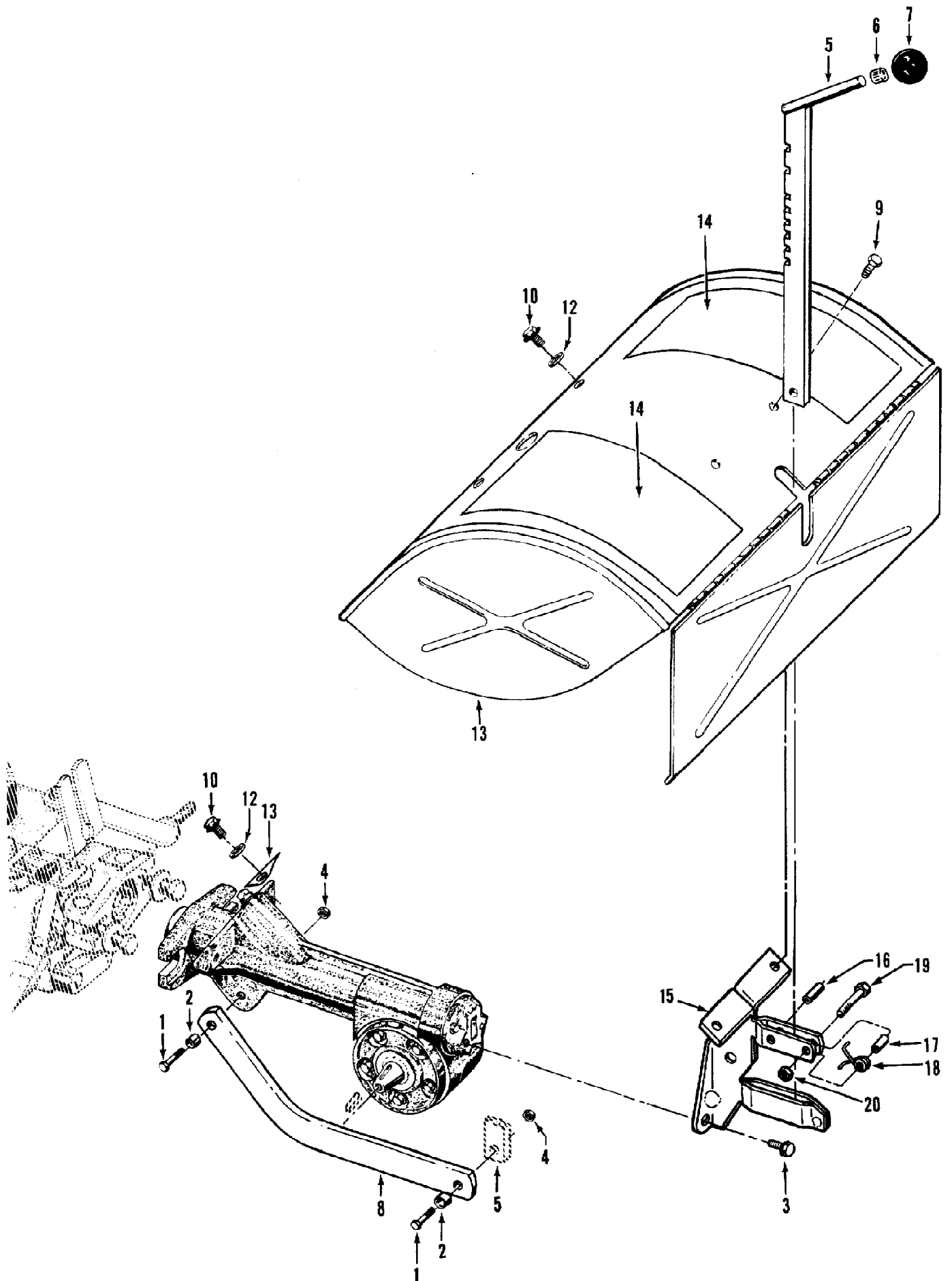


21AE683G766 10HP Elec Roto-Tiller (2005)
Bolo Tines Assemblies

Page 2 of 22

Ref #	Part Number	Qty	S/P/F	Description
1	1901975	2	S	Tine Holder-welded steel, fits or right sides (Standard Tilling Tines)
2	710-3096	4	/P	Bolt-hex hd., 3/8-16 x 2
3	712-3000	20	S	Locknut-hex, 3/8"-16
6	GW-1270-1	8	S	Bolo Tine-single, Tine is stamped either "EL" or "AL"
7	GW-1270-2	8	S	Bolo Tine-single, Tine is stamped either "ER" or "AR"
8	710-3005	16	/P	Bolt-hex hd., 3/8-16 x 1"
	GW-10802	1	/P/F	Custom Tilling Tine Kit
	GW-2475-1	8	S	Bolo Tine, Custom Tilling-single, left hand
	GW-2475-2	8	S	Bolo Tine, Custom Tilling-single, right hand

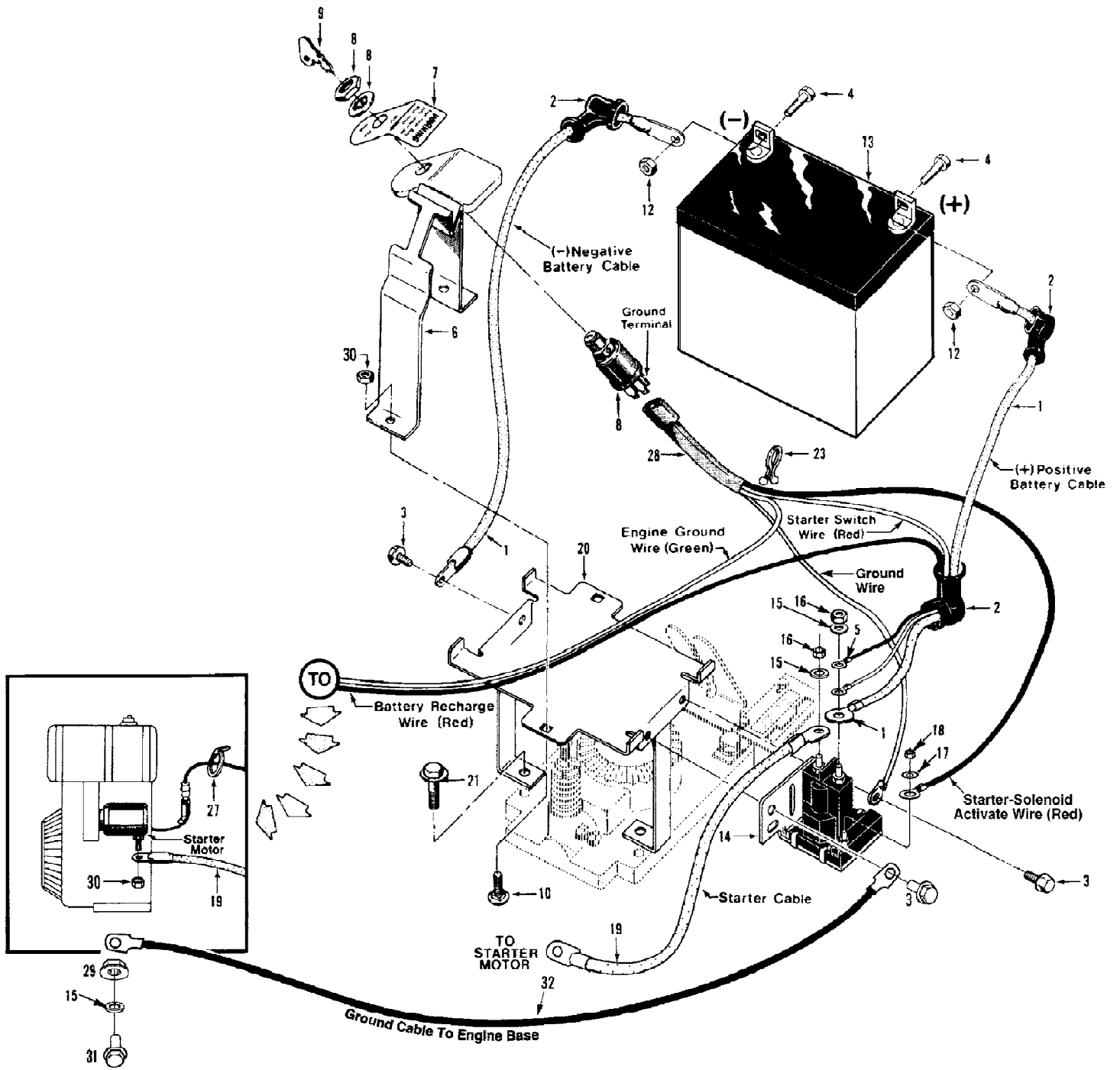
21AE683G766 10HP Elec Roto-Tiller (2005)
Depth Regulator and Tine Hood Assemblies



21AE683G766 10HP Elec Roto-Tiller (2005)
Depth Regulator and Tine Hood Assemblies

Page 4 of 22

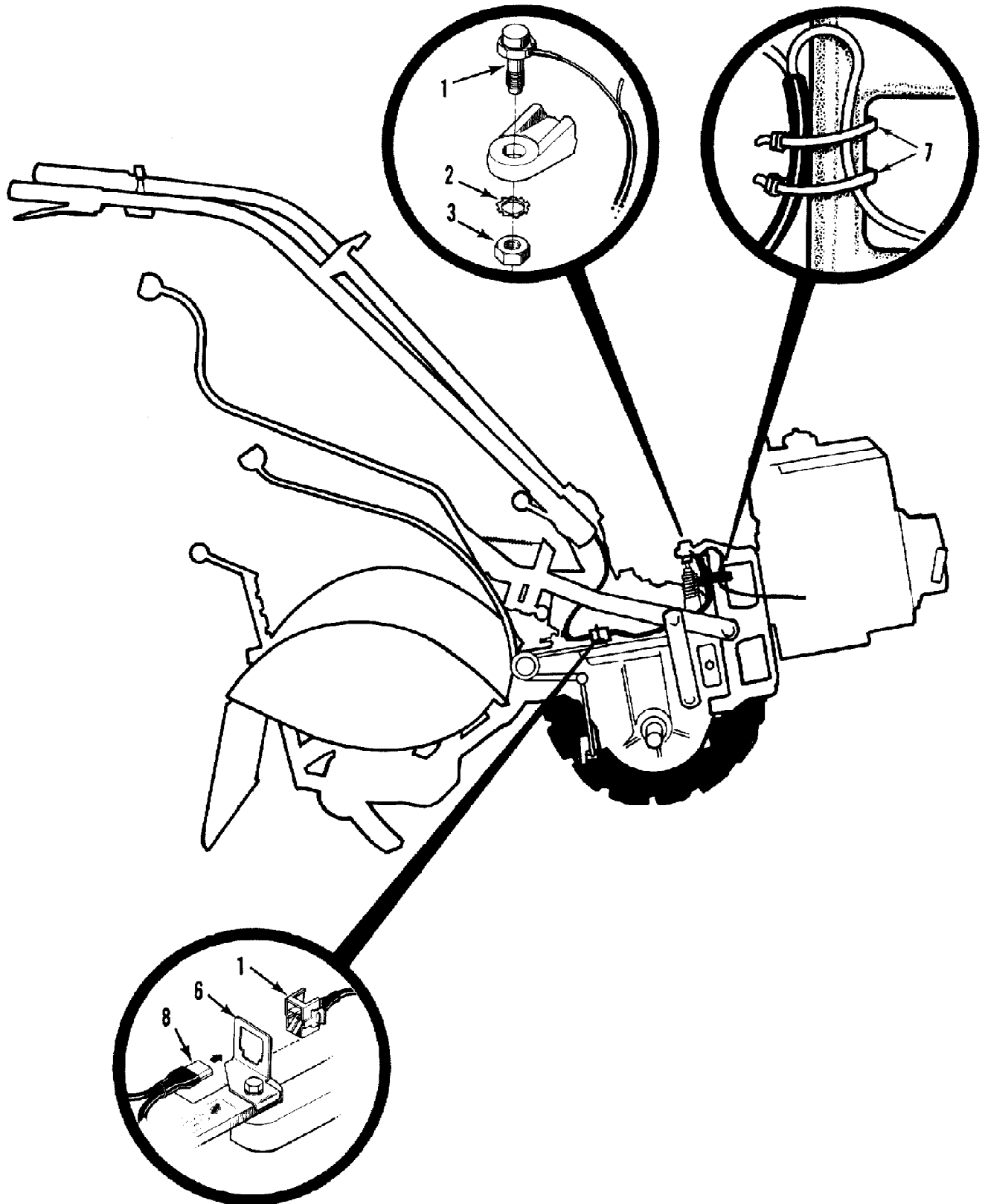
Ref #	Part Number	Qty	S/P/F	Description
1	710-3005	2	/P	Bolt-hex hd., 3/8-16 x 1-1/4"
2	GW-1113-1	2	S	Bushing-19/64" (.300" lg.)
3	710-04049	2	/P	Bolt-flanged hex, 5/16-18 x 5/8"
4	712-04065	2	/P	Nut-hex, 3/8"-16
5	1900864	1	/P	Bar-depth regulator
6	GW-9120	1	/P	Ring-retaining
7	GW-9119	1	/P	Knob-depth regulator
8	GW-2121	1	S	Bar-drag, depth regulator
9	710-0599	2	/P	Screw-thread-forming, 1/4-20 x 1/2"
10	710-04043	2	/P	Bolt-flanged hex hd, 5/16-18 x 3/4"
12	GW-9929	2	/P	Washer-flat, 5/16"
13	1904563	1	/P	Hood
14	777I22027	1		Decal-hood, operating instructions (LH)
14	777S32049	1		Decal-hood, operating instructions (RH)
15	GW-2525	1		Bracket
16	715-04034	1	/P	Pin-roll (Spirol) 1/4" x 1"
17	750-04556	1		Spacer, Split
18	732-04320	1	/P	Spring
19	710-0597	1	/P	Bolt-hex hd., 1/4-20x1
20	712-04064	1	/P	Locknut-1/4"-20



21AE683G766 10HP Elec Roto-Tiller (2005)
Electric Start System

Page 6 of 22

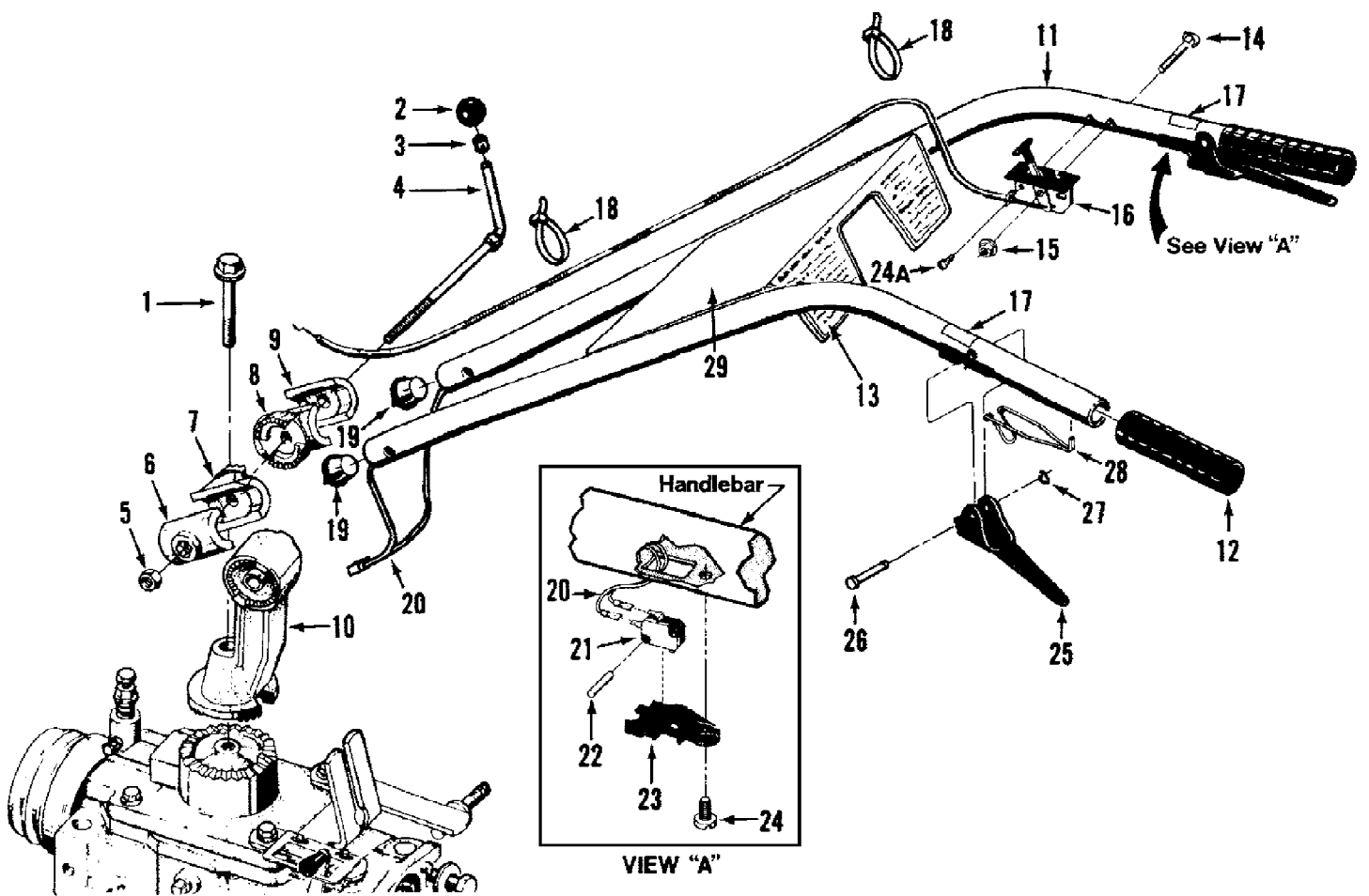
Ref #	Part Number	Qty	S/P/F	Description
1	GW-96515	2	/P	Cable-battery, positive and negative terminals
2	GW-97020	3	/P	Boot-terminal insulating
3	GW-9552	3	S	Screw-self-threading, 1/4-20 x 1/2"
4	1186309	2	/P	Bolt-hex hd., 1/4-20 x 5/8"
5	1901894	1	/P	Wire-recharge (red)
6	GW-2614	1	S	Battery Hold-down Clamp- with attached Key Switch Plate
7	777S30648	1	/P	Decal-ignition switch instructions
8	725-0267B	1	S	Key Switch-includes two ignition keys (Ref. No. 9) one lockwasher, and one mounting nut (lock-washer and nut not available separately)
9	725-0201	1	S	Key-ignition, one pair
10	1186073	2	/P	Bolt-carriage, 1/4-20 x 1-1/4"
11	1100241	2	S	Lockwasher-spring lock, 1/4"
12	712-3006	2	/P	Nut-hex, 1/4"-20
13	725-1706A	1	S	Battery-12 volt, 270 CCA
14	GW-96514	1	S	Solenoid-starter, includes nuts and washers for cables and wires
15	736-0119	3	S	Lockwasher-5/16"
16	1186211	2	/P	Nut-hex, 5/16"-24
17	736-0147	1	S	Lockwasher-external tooth, #10
18	GW-9853	1	/P	Nut-hex, #10-32,
19	GW-96510	1	/P	Cable-solenoid to starter motor
20	GW-2557	1	S	Battery Bracket
21	1186349	1	/P	Bolt-flanged hex hd., 3/8-16 x 1-1/2"
23	GW-9265	2	/P	Tie-plastic, wire retaining
27	725-0157	2	/P	Tie-plastic
28	725-04346	1		Wire Harness & Connecting Terminal Assembly
29	712-3010	1	S	Nut-flange lock, 5/16" 18
30	1186389	3	/P	Locknut-hex, 1/4"-20
32	1901202	1	/P	Cable-ground, solenoid to engine block
33	710-3180	1	/P	Bolt-flange lock, 5/16-18 x 1"



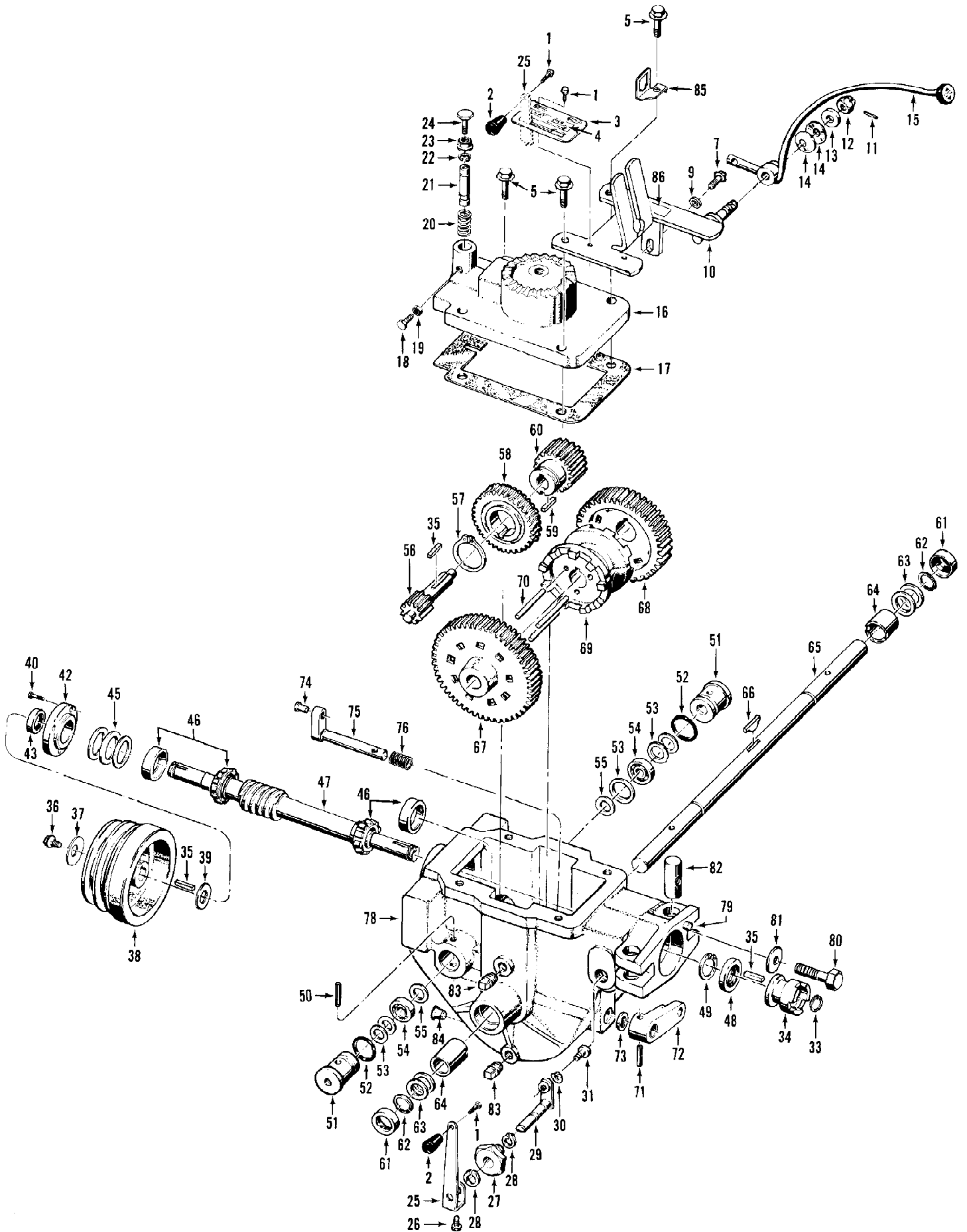
21AE683G766 10HP Elec Roto-Tiller (2005)
Forward Interlock System

Page 8 of 22

Ref #	Part Number	Qty	S/P/F	Description
1	629-04017	1	S/F	Engine Wire Harness Assy interlock system. Parts not available separately.
2	GW-9971	1	/P	Lockwasher - external tooth 7/16
3	1186246	1	/P	Nut-hex, 7/16"-20
6	GW-9205	1	/P	Clip-for plug connector
7	725-0157	2	/P	Tie-plastic
8	GW-2551	1	/P	Handlebar Wire Harness Assembly (see Handlebar Assembly, Ref. #20)



Ref #	Part Number	Qty	S/P/F	Description
1	GW-9548	1	/P	Bolt -Hex hd., flanged self-locking Grade 5, 1/2-13 x 3 -1/2"
2	GW-9119	1	/P	Knob-handlebar height adjustment
3	GW-9120	1	/P	Ring-retaining (tolerance ring)
4	GW-1881	1	/P	Stud-handlebar height adjustment
5	1186233	1	S	Nut-hex, 1/2"-13
6	GW-1021-1	1	S	Clamp-left, handlebar height adjustment
7	GW-2542-1	1	S	Ratchet-left, handlebar height adjustment
8	GW-2542-2	1	S	Ratchet-right, handlebar height adjustment
9	1900855010	1	/P	Clamp-right, handlebar height adjustment
10	GW-2534A	1	S	Base-handlebar mounting
11	649-04020	1	S	Handlebars
12	GW-9125	2	S	Grip-handlebars
13	777I22026	1		Decal-Control panel
14	1918111	1		Bolt-curved hd, GR5, 1/4-20 x 2
15	1186389	1	/P	Nut-hex, flanged self-locking, whiz lock 1/4"-20
16	1909286	1	S	Throttle Control & Cable, 66"
17	777I20946	2		Decal-Forward Interlock Lever
18	725-0157	2	/P	Tie-plastic
19	GW-9219	2	/P	Plug-wire harness retainer
20	GW-2551	1	/P	Handlebar Wire Harness Assembly forward interlock system
21	GW-9250	2	S	Handlebar Switch-forward interlock system
22	GW-9385	2	/P	Lock Pin-handlebar switch
23	GW-2543	2	S	Switch Housing-handlebar switch
23	GW-2563	1	S	Switch Assembly (Includes Ref. 21-23)
24	710-0779A	2	/P	Screw -pan head, #10-16 x 1/2" thread-forming
24A	GW-9733	1	/P	Screw -pan head, #10-32 x 1/2" thread-forming
25	786-04003	2	S	Lever -Operator Presence Control
26	GW-9199	2	/P	Pivot Pin -forward interlock lever
27	GW-9514	2	/P	Retaining Ring -klip ring forward interlock lever
28	GW-9387	2	/P	Return Spring -fwd interlock lever
29	777D07724	1	S	Label Troy-Bilt Horse
29	777D06527	1		Label Troy-Bilt Horse "Big Red"



Ref #	Part Number	Qty	S/P/F	Description
1	1186299	3	S	Bolt-hex hd., #10-32 x 3/8 self-locking flange TRANSMISSION COVER & SHIFT BRACKET ASSEMBLIES
2	GW-9463	1	/P	Knob-tines/PTO clutch lever, tapered, plastic tapered, plastic TRANSMISSION COVER & SHIFT BRACKET ASSEMBLIES
3	GW-2263	1	/P	Detent Plate- tines / PTO clutch lever TRANSMISSION COVER & SHIFT BRACKET ASSEMBLIES
4	777I20945	1	/P	Decal-operating instructions, detent plate TRANSMISSION COVER & SHIFT BRACKET ASSEMBLIES
5	1186349	1	/P	Bolt-flanged hex hd., 3/8-16 x 1-1/2" TRANSMISSION COVER & SHIFT BRACKET ASSEMBLIES
7	1186329	1	S	Bolt-flanged hex hd., 5/16-18 x 3/4 Grade 5 TRANSMISSION COVER & SHIFT BRACKET ASSEMBLIES
9	736-0275	1	S	Washer-flat, 5/16", TRANSMISSION COVER & SHIFT BRACKET ASSEMBLIES
10	GW-2149	1	S	Bracket-shift levers TRANSMISSION COVER & SHIFT BRACKET ASSEMBLIES
11	GW-9362	1	/P	Pin-spring, 1/8" TRANSMISSION COVER & SHIFT BRACKET ASSEMBLIES
12	GW-9838	1	F	Nut-castle (slotted) 1/2"-20 TRANSMISSION COVER & SHIFT BRACKET ASSEMBLIES
13	GW-9934	1	/P	Washer-shoulder, 1/2" TRANSMISSION COVER & SHIFT BRACKET ASSEMBLIES
14	GW-9932	2	/P	Washer-disc spring TRANSMISSION COVER & SHIFT BRACKET ASSEMBLIES
15	GW-2178	1	S	Lever-wheel speed shift TRANSMISSION COVER & SHIFT BRACKET ASSEMBLIES
16	GW-2523	1	S	Cover-power unit transmission TRANSMISSION COVER & SHIFT BRACKET ASSEMBLIES
17	GW-1123	1	/P	Gasket-transmission cover TRANSMISSION COVER & SHIFT BRACKET ASSEMBLIES
18	710-0376	1	/P/F	Bolt-hex hd., 5/16-18 x 1, Grade 5 TRANSMISSION COVER & SHIFT BRACKET ASSEMBLIES
19	712-3010	1	S	Nut-hex, 5/16"-18 TRANSMISSION COVER & SHIFT BRACKET ASSEMBLIES
20	1901439	1	/P/F	Spring-neutral plunger TRANSMISSION COVER & SHIFT BRACKET ASSEMBLIES

Ref #	Part Number	Qty	S/P/F	Description
21	GW-1035	1	/P/F	Plunger-neutral TRANSMISSION COVER & SHIFT BRACKET ASSEMBLIES
22	1901440	1	/P	Clip Ring-retains neutral plunger TRANSMISSION COVER & SHIFT BRACKET ASSEMBLIES
23	1186393	1	/P	Nut-hex, flange locknut, 3/8"-16 TRANSMISSION COVER & SHIFT BRACKET ASSEMBLIES
24	1902004	1	/P	Bolt-hex hd., 3/8-16x1-1/2" threaded full length TRANSMISSION COVER & SHIFT BRACKET ASSEMBLIES
25	786-04002	1	/P	Lever-eccentric, tines/PTO clutch lever eccentric shaft TINES/PTO CLUTCH LEVER
26	710-3013	1	/P	Bolt-hex hd., 1/4-20 x 1/2" TINES/PTO CLUTCH LEVER
27	741-04008	1	/P	Bushing-tines/PTO clutch lever eccentric shaft TINES/PTO CLUTCH LEVER
28	GW-9516	1	/P	Retaining Ring-(snap ring) external TINES/PTO CLUTCH LEVER
29	GW-2461	2	/P	Eccentric-shaft, tines/PTO lever TINES/PTO CLUTCH LEVER
30	GW-9911	1	/P	Lockwasher-hi-collar, 1/4" TINES/PTO CLUTCH LEVER
31	GW-9672	1	S	Screw-socket hd., 1/4-20 x 3/8" TINES/PTO CLUTCH LEVER
33	716-0101	1	S	Retaining Ring-external DRIVE SHAFT ASSEMBLY
34	1909139	1	S	Dog Clutch-power unit DRIVE SHAFT ASSEMBLY
35	GW-9301	3	S	Key-3/16 sq x 1" DRIVE SHAFT ASSEMBLY
36	1100004	1	S	Bolt-hex hd., 5/16-24 locking flange, Grade 5 DRIVE SHAFT ASSEMBLY
37	GW-9944	1	S	Washer-disc spring DRIVE SHAFT ASSEMBLY
38	GW-2107	1	/P	Pulley-transmission drive, DRIVE SHAFT ASSEMBLY
39	GW-50027	1	/P	Washer-flat, hardened shoulder 1-1/4" DRIVE SHAFT ASSEMBLY
40	1186310	1	/P	Bolt-hex hd., 1/4-20 x 3/4", front bearing camp DRIVE SHAFT ASSEMBLY
42	718-04007	1	/P	Cap-front bearing DRIVE SHAFT ASSEMBLY

Ref #	Part Number	Qty	S/P/F	Description
43	721-04044	1	S	Seal-oil, front bearing cap DRIVE SHAFT ASSEMBLY
45	GW-1224-1	1	S	Shim-front bearing cap, 010thick DRIVE SHAFT ASSEMBLY
45	GW-1224-2	A/R	S	Shim-as above, 030" DRIVE SHAFT ASSEMBLY
45	GW-1224-3	A/R	S	Shim-as above, 005" DRIVE SHAFT ASSEMBLY
45	GW-1224-4	A/R	S	Shim-as above, 062" DRIVE SHAFT ASSEMBLY
46	GW-1714	2	S/F	Bearing & Race (incl. 1 bearing GW-9400 & 1 cup (race) GW-9401 DRIVE SHAFT ASSEMBLY
47	GW-2655	1		Shaft-main drive, power unit DRIVE SHAFT ASSEMBLY
48	721-04030	1	S	Seal-oil, drive shaft, rear DRIVE SHAFT ASSEMBLY
49	GW-9517	1	S	Retaining Ring-(snap ring), internal DRIVE SHAFT ASSEMBLY
50	715-0121	1	/P	Pin-roll (spiral), 1/4 x 2 PINION SHAFT ASSEMBLY
51	718-04006	1		Plug-retaining, pinion bearing PINION SHAFT ASSEMBLY
52	GW-9604	1	/P	O-Ring-retaining plug PINION SHAFT ASSEMBLY
53	GW-1132-1	A/R	/P/F	Shim-retaining plug, 1-164" inner dia., .033 thick) PINION SHAFT ASSEMBLY
53	GW-1132-2	A/R	/P	Shim-same as GW-1132-1, .062" PINION SHAFT ASSEMBLY
53	GW-1132-3	A/R	/P	Shim-same as GW-1132-1, .010" PINION SHAFT ASSEMBLY
54	GW-9404	2	/P	Bearing-ball, pinion shaft PINION SHAFT ASSEMBLY
55	GW-1126	2	/P	Washer-pinion shaft PINION SHAFT ASSEMBLY
56	GW-1222	1	/P	Stem Pinion-slow speed gear and shaft PINION SHAFT ASSEMBLY
57	GW-9502	1	/P	Ring-retaining, external PINION SHAFT ASSEMBLY
58	GW-2656	1	/P	Worm Gear-bronze, wheel drive PINION SHAFT ASSEMBLY
59	GW-9300	1	/P	Key-3/16" x 5/8" PINION SHAFT ASSEMBLY

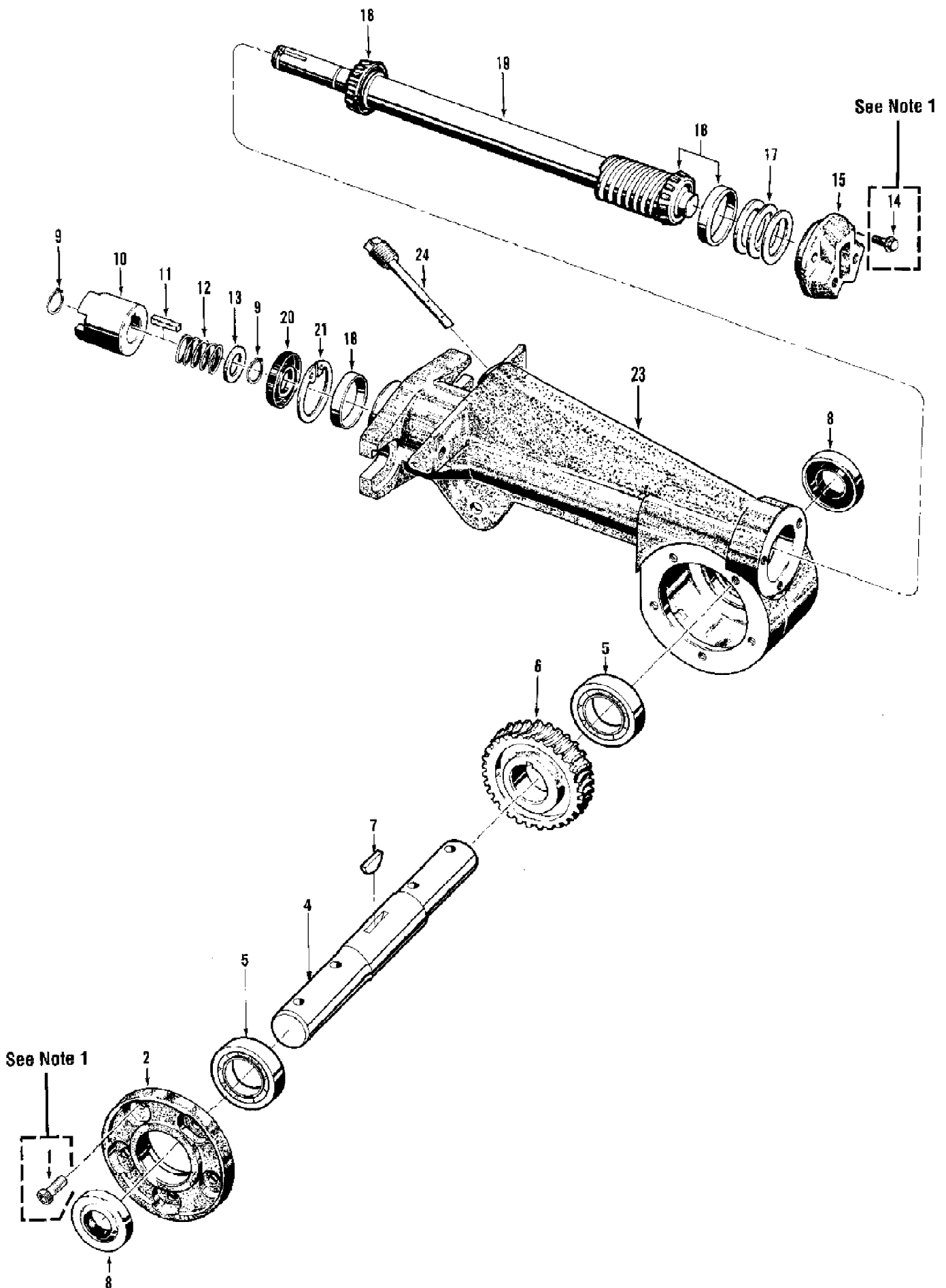
Ref #	Part Number	Qty	S/P/F	Description
60	GW-1233	1	/P	Gear-fast speed pinion PINION SHAFT ASSEMBLY
61	721-04031	2	S	Seal-oil, wheel shaft WHEEL SHAFT ASSEMBLY
62	1909950	2	S	Retaining ring-external WHEEL SHAFT ASSEMBLY
63	GW-1166-1	A/R	S	Shim-wheel shaft, 1-1/64" inner dia., .062 thick WHEEL SHAFT ASSEMBLY
63	GW-1166-2	A/R	/P	Shim-as above, .030" thick WHEEL SHAFT ASSEMBLY
63	GW-1166-3	A/R	/P	Shim-as above, .015" thick WHEEL SHAFT ASSEMBLY
63	GW-1166-4	A/R	S	Shim-as above, .010" thick WHEEL SHAFT ASSEMBLY
63	GW-1166-5	A/R	S	Shim-as above, .005 thick WHEEL SHAFT ASSEMBLY
64	GW-1086	2	S	Bushing-bronze, bearing WHEEL SHAFT ASSEMBLY
65	911-04025	1	S	Shaft-wheel, 15-5/8" WHEEL SHAFT ASSEMBLY
66	714-04014	1	/P	Key-Hi Pro, 1/4" WHEEL SHAFT ASSEMBLY
67	GW-1223	1	/P	Gear-slow speed, wheel WHEEL SHAFT ASSEMBLY
68	GW-1232	1	/P	Gear-fast speed, WHEEL SHAFT ASSEMBLY
69	GW-1237	1	/P	Dog Clutch-wheel WHEEL SHAFT ASSEMBLY
70	GW-1112	3	/P	Pin-clutch guide, 1/4" diameter WHEEL SHAFT ASSEMBLY
71	1911372	1	/P	Pin-roll, 3/16" x 1-1/4" ECCENTRIC SHAFT ASSEMBLY
72	619-04000	1	S	Lever-eccentric, wheel speed shifting ECCENTRIC SHAFT ASSEMBLY
73	721-04034	1	S	Seal-oil, eccentric shaft ECCENTRIC SHAFT ASSEMBLY
74	GW-1442	1	S	Pin-eccentric shaft, wheel speed shifting ECCENTRIC SHAFT ASSEMBLY
75	611-04003	1	/P	Eccentric Shaft-wheel speed shifting ECCENTRIC SHAFT ASSEMBLY
76	GW-1441	1	/P	Spring-eccentric shaft ECCENTRIC SHAFT ASSEMBLY

21AE683G766 10HP Elec Roto-Tiller (2005)
Power Unit Transmission Assemblies

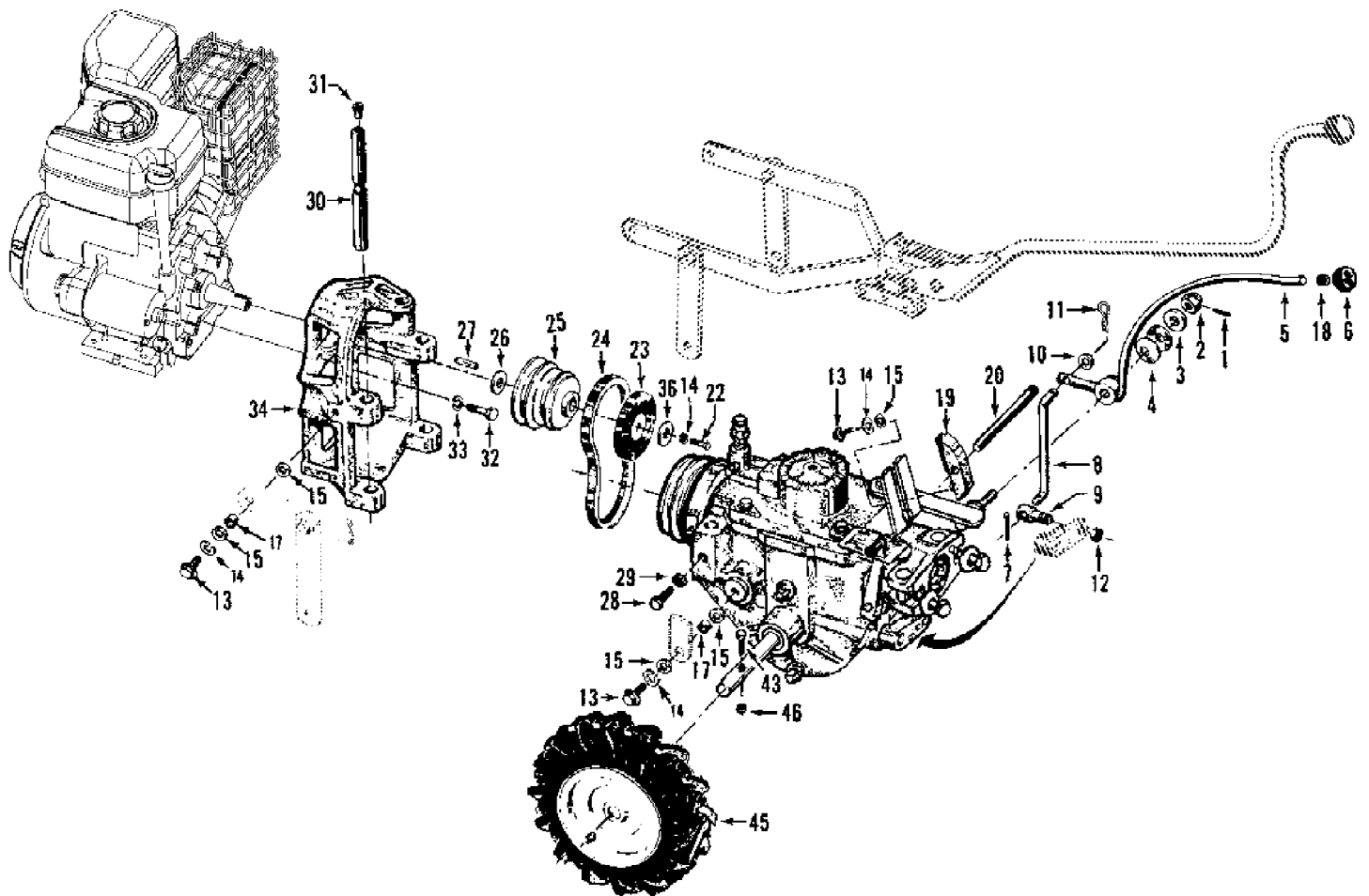
Page 16 of 22

Ref #	Part Number	Qty	S/P/F	Description
78	GW-2109	1	S/F	Housing-power unit transmission TRANSMISSION HOUSING
79	GW-9359	2	/P	Pin-alignment TRANSMISSION HOUSING
80	1100067	2	/P	Bolt-hex hd., 1/2-13 x 2 Gr5
81	GW-9928	2	/P	Washer-disc spring (concave) domed side faces bolt head)
82	GW-2126	2		Post-with threaded hole for Ref. No. 80
83	1105620	2	/P	Plug-pipe, 1/4"
84	GW-9122	1	/P	Plug-red plastic, thread protector
85	GW-9205	1	/P	Clip-forward interlock system plug connector
86	777I20944	1	/P	Decal-forward interlock wire harness
	618-04372	1	S/F	Transmission Assembly power unit (Does NOT include Ref 35 - 39. Does NOT include Shift Assemblies, Ref. 3, 4, 10, 15, 85, 86 etc

21AE683G766 10HP Elec Roto-Tiller (2005)
Tiller Attachment Transmission Assemblies

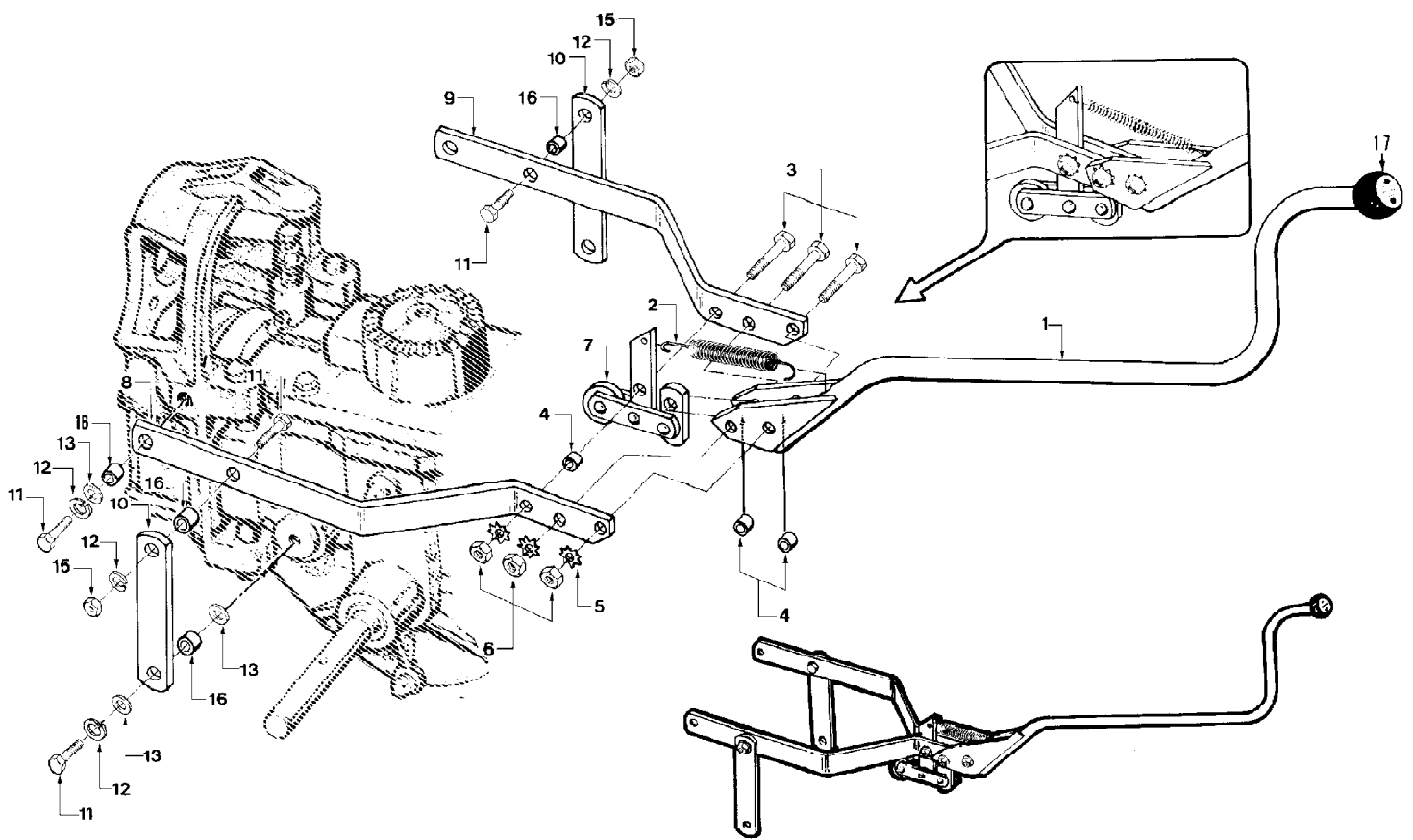


Ref #	Part Number	Qty	S/P/F	Description
1	1915068	5	/P/F	Screw-self-sealing, 1/4"-20
2	GW-20873	1	/P	Cover-tiller housing
4	711-04082	1	S	Shaft-tiller tine
5	741-3037	2	S	Ball Bearing
6	1901976	1	/P	Worm Gear-bronze, shaft
7	GW-1104	1	/P	Key-tiller tine shaft, woodruff key
8	721-04035	2	S	Seal-oil, tiller tine shaft
9	716-0101	2	S/F	Retaining Ring-external
10	1909138	1	S/F	Dog Clutch-tiller drive shaft
11	GW-9301	1	S/F	Key-3/16" x 1"
12	GW-2127	1	/P/F	Spring-dog clutch
13	GW-1138-1	1	S/F	Shim-dog clutch, 1/16"(.62") thick
14	1915069	1	/P/F	Screw-self-sealing, 1/4"-20 x 7/8
15	GW-1115	3	S/F	Cap-rear bearing
17	GW-1224-1	A/R	S/F	Shim-front bearing cap .010" thick
17	GW-1224-2	A/R	S/F	Shim-same as above, .030" thick
17	GW-1224-3	A/R	S/F	Shim-same as above, .005" thick
17	GW-1224-4	A/R	S/F	Shim-same as above, .062" thick
18	GW-1714	2	S/F	Bearing & Race
19	GW-2653	1	S/F	Shaft-main tiller drive
20	721-04030	1	S/F	Seal-oil, drive shaft, front
21	GW-9517	1	S/F	Retaining Ring-internal
23	1901971	1	S/F	Housing-tiller attachment
24	1909157	1		Dipstick-oil, tiller attachment
	618-04003	1	S	Transmission Assembly, Tiller (includes reference 1-24)



Ref #	Part Number	Qty	S/P/F	Description
1	GW-9362	1	/P	Pin-spring, 1/8"
2	GW-9838	1		Nut-castle (slotted), 1/2"-20
3	GW-9934	1	/P	Washer-shoulder, 1/2"
4	GW-9932	2	/P	Washer-disc spring
5	GW-2628	1	/P	Lever-wheel speed shift
6	1902240	1	/P	Knob-wheel speed shift lever
7	GW-9317	1	/P	Pin-cotter, 3/32" x 1"
8	GW-1231	1	/P	Connecting rod, wheel speed lever -shift (Incl. Ref. 7 & Ref 9)
9	GW-1033	1	/P	Swivel-connecting rod
10	736-0275	1	S	Washer-flat, 5/16", SAE
11	714-04048	1	/P	Pin-hair cotter
12	712-0158	1	S	Locknut-hex hd., 5/16"-18
13	710-0514	5	/P	Bolt-flanged hex hd., 3/8-16 x 1"
14	736-0169	5	S	Lockwasher-spring lock, 3/8"
15	736-3050	8	/P	Washer-flat, 3/8", SAE
17	GW-1113-1	4	S	Bushing-spacer, 19/64" (300"lg.)
18	GW-9120	1	/P	Ring-retaining (tolerance ring)
19	GW-1920	1	/P/F	Block Kit - belt adjustment, 3/8-24 x 1-1/2"
20	GW-2100	1	/P	Rod- belt adjust., 7" with measuring gauge
21	777I20942	1		Decal- engine stabilization
22	1100012	1	/P	Bolt-hex hd., 3/8-24 x 1-1/2"
23	756-04171	1	/P	Disc-reverse
24	GW-9245	1	/P/F	Belt-forward drive
25	619-04124	1	/P	Pulley-engine power take off
26	736-04192	A/R	/P	Shim-engine pulley, 1/16"
26	736-04187	A/R	/P	Shim-as above, 1/32"
27	GW-9303	1	/P	Key-engine Pulley 3/16"sq. 2-1/2"
28	710-0376	2	/P	Bolt-hex hd 5/16-18 x 1:, Grade 5
29	712-3010	1	S	Nut, 5/16-18 hex, 5/16-18
30	GW-1034	2	S	Bar-engine mounting
31	GW-9147	2	/P	Plug-thread protector, red plastic
32	710-04458	4	S	Bolt-hex hd., 5/16-24 x 1-1/8"
33	736-0119	4	S	Lockwasher-spring lock, 5/16
34	1916274001	1	S	Mount-engine to tiller
36	736-3052	1	/P	Washer, flat, .406 x 1.0 x .105
	777S30647	1		Decal-hot surface warning
43	710-0606	2	/P	Screw, Hex 1/4-20 x 1 1/2"
45	634-04231	2	S/F	Wheel & Tire Assembly 16 x 4:6 x 8" tubeless tire with valve stem, on one-piece steel rim
46	712-04064	1	/P	Nut, Hex Flange 1/4-20

21AE683G766 10HP Elec Roto-Tiller (2005)
Wheels Tines PTO Drive Lever and Yoke Assembly



21AE683G766 10HP Elec Roto-Tiller (2005)
Wheels Tines PTO Drive Lever and Yoke Assembly

Page 22 of 22

Ref #	Part Number	Qty	S/P/F	Description
1	647-04006	1	/P	Lever Assembly-Wheels/Tines/ PTO Drive (incl. Ref 17)
2	1908156	1	/P	Spring-clutch pawl
3	710-0805	3	/P	Bolt-hex hd., 5/16-18 x 1-1/2"
4	GW-2447	3	/P	Bushing-3/8"
5	1177548	3	S	Lockwasher-external tooth, 5/16"
6	712-3010	3	S	Nut-hex, 5/16"-18
7	686-04006	1	S	Roller Assembly
8	GW-2165-1	1	S	Yoke-left side
9	GW-2165-2	1	S	Yoke-right side
10	GW-2164	2	S	Link-yoke pivot, left & right 6-7/8" long
11	710-0514	6	/P	Bolt-hex hd., 3/8-16 x 1
12	736-0169	6	S	Lockwasher-spring lock 3/8"
13	736-3050	6	/P	Washer-flat, 3/8", SAE
15	712-3017	2	S	Nut-hex, 3/8"-16
16	GW-1113-1	6	S	Bushing-spacer, 19/64" (.300")
17	GW-2595	1	S	Knob