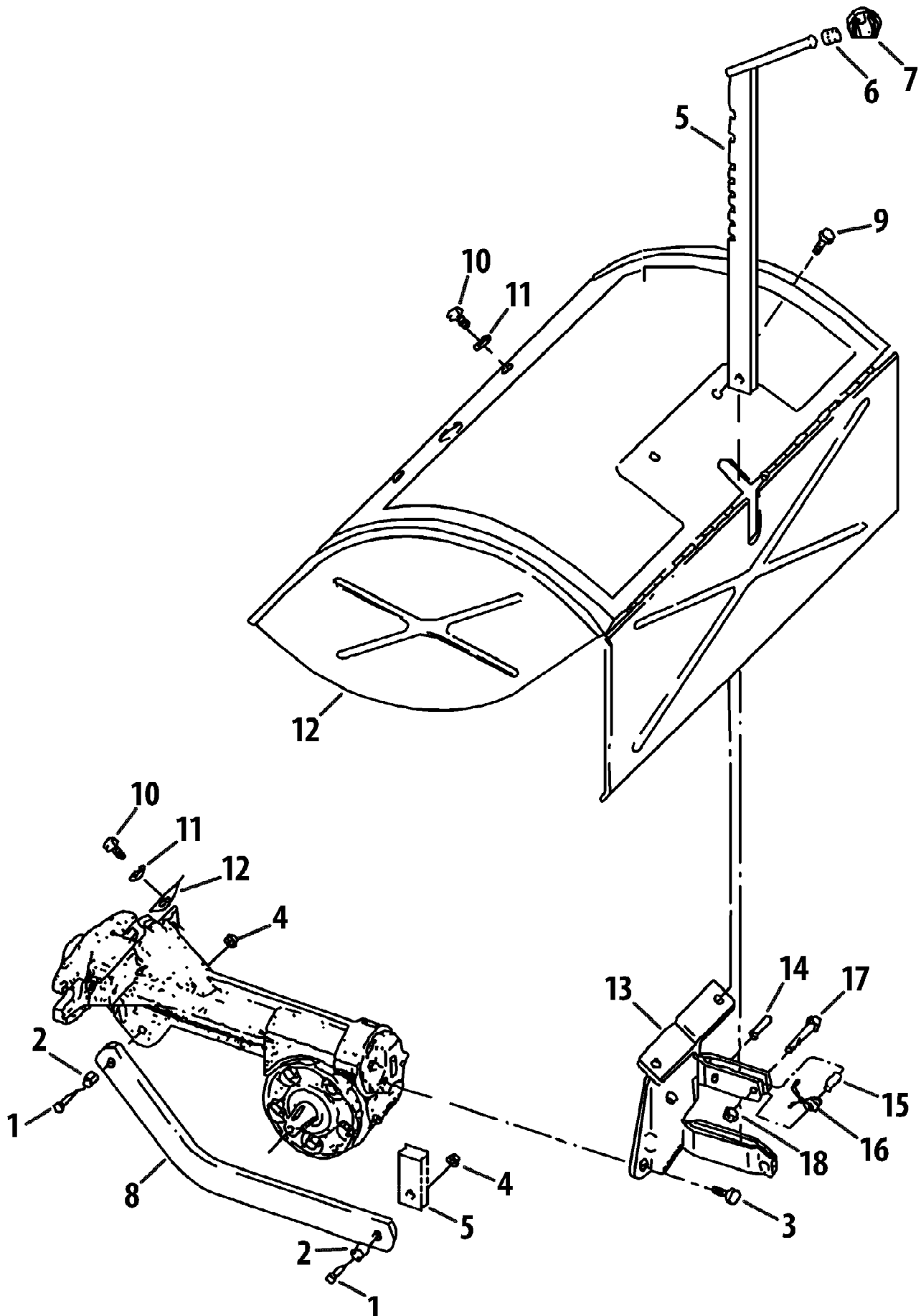


21AE682L766 Big Red Roto-Tiller (2010)
Bumper

Page 2 of 25

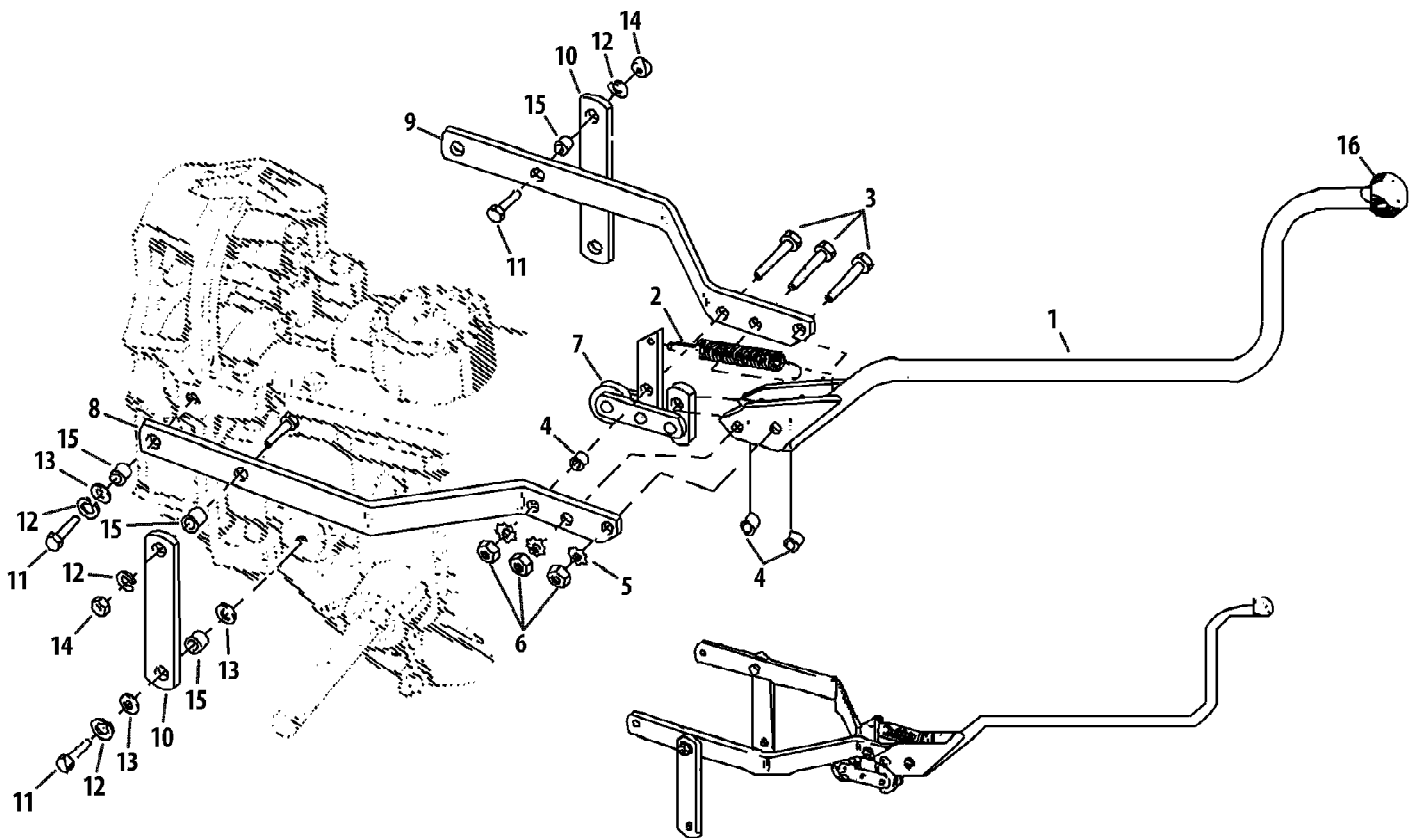
Ref #	Part Number	Qty	S/P/F	Description
1	750-05284	1		Spacer, 1.0 x .546 x .5
2	1910730001	1	/P	Bottom Bumper Brace
3	1910731001	1	/P	Bumper Guard
4	710-0514	1	/P	Hex Screw, 3/8"-16 x 1.00
5	710-0805	1	/P	Hex Screw, 5/16"-18 x 1.50
6	710-3181	1	/P	Hex Screw, 1/2"-13 x 1.50
7	912-3010	1	/P	Hex Nut, 5/16"-18
8	936-0119	1	/P	Lock Washer, 5/16"
9	936-0169	1	/P	Lock Washer, 3/8"
10	936-0921	1	/P	Lock Washer, 1/2"



21AE682L766 Big Red Roto-Tiller (2010)
Depth Regulator & Tine Shield

Page 4 of 25

Ref #	Part Number	Qty	S/P/F	Description
1	710-3005	1	/P	Hex Bolt, 3/8"-16 x 1-1/4"
2	GW-1113-1099	1	/P	Bushing Spacer, .5 x .375 x .3
3	710-04049	1	/P	Hex Flange Bolt, 5/16"-18 x .625
4	712-04065	1	/P	Flangelock Nut, 3/8"-16
5	1900864	1	/P	Depth Regulator
6	GW-9120	1	/P	Retaining Ring
7	GW-9119	1	/P	Depth Regulator Knob
8	1900867001	1	/P	Depth Regulator Bar Drag
9	710-0599	1	/P	Thread-forming Screw, 1/4"-20 x 1/2"
10	710-04043	1	/P	Hex Flange Bolt, 5/16"-18
11	GW-9929	1	/P	Washer, 1.12 x .34 x .06
12	1904563	1	/P	Hood
13	GW-2525	1		Hood Bracket
14	715-04034	1	/P	Roll Pin (Spirol), 1/4" x 1"
15	750-04556	1		Split Spacer
16	732-04320	1	/P	Spring
17	710-0597	1	/P	Hex Bolt, 1/4"-20 x 1"
18	712-04064	1	/P	Locknut, 1/4"-20

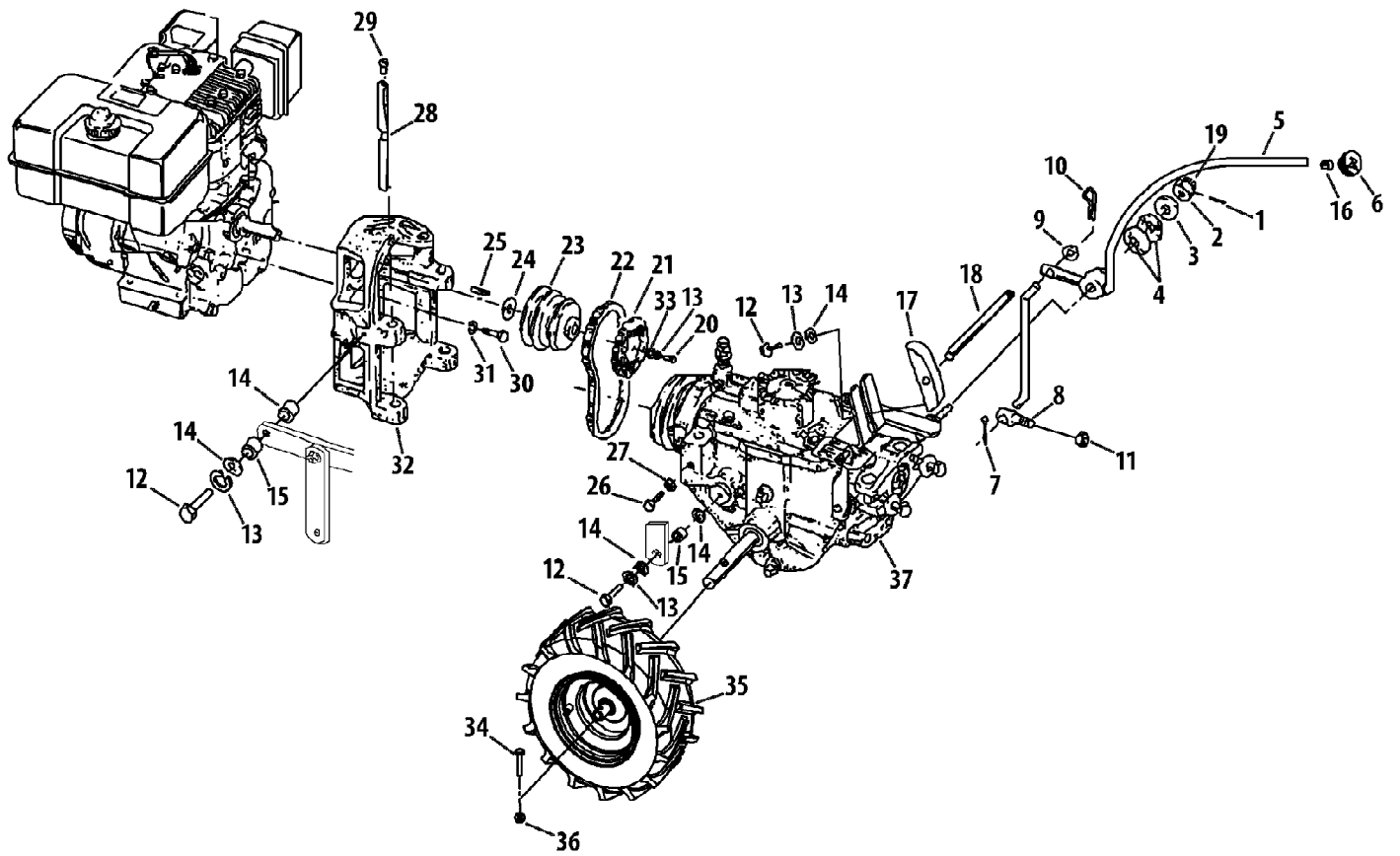


21AE682L766 Big Red Roto-Tiller (2010)
Drive Lever & Yoke Assembly

Page 6 of 25

Ref #	Part Number	Qty	S/P/F	Description
1	647-04006	1	/P	Forward/Reverse Lever
2	1908156	1	/P	Clutch Pawl Spring
3	710-0805	1	/P	Hex Bolt, 5/16"-18 x 1-1/2"
4	GW-2447	1	/P	Bushing, .5 x .316 x .375
5	736-0607	1	/P	External Tooth Lockwasher, 5/16"
6	912-3010	1	/P	Hex Nut, 5/16"-18
7	686-04006-0638	1	/P	Roller Assembly
8	1900468010	1	/P	Yoke (Left)
9	1900469001	1	/P	Yoke (Right)
10	1900860001	1	/P	Yoke Pivot Link
11	710-0514	1	/P	Hex Bolt, 3/8"-16 x 1"
12	936-0169	1	/P	Lockwasher, 3/8"
13	736-3050	1	/P	Flat Washer, 3/8"
14	912-3017	1	/P	Hex Nut, 3/8"-16
15	GW-1113-1099	1	/P	Bushing Spacer, .5 x .375 x .3
16	GW-2595099	1	/P	Knob

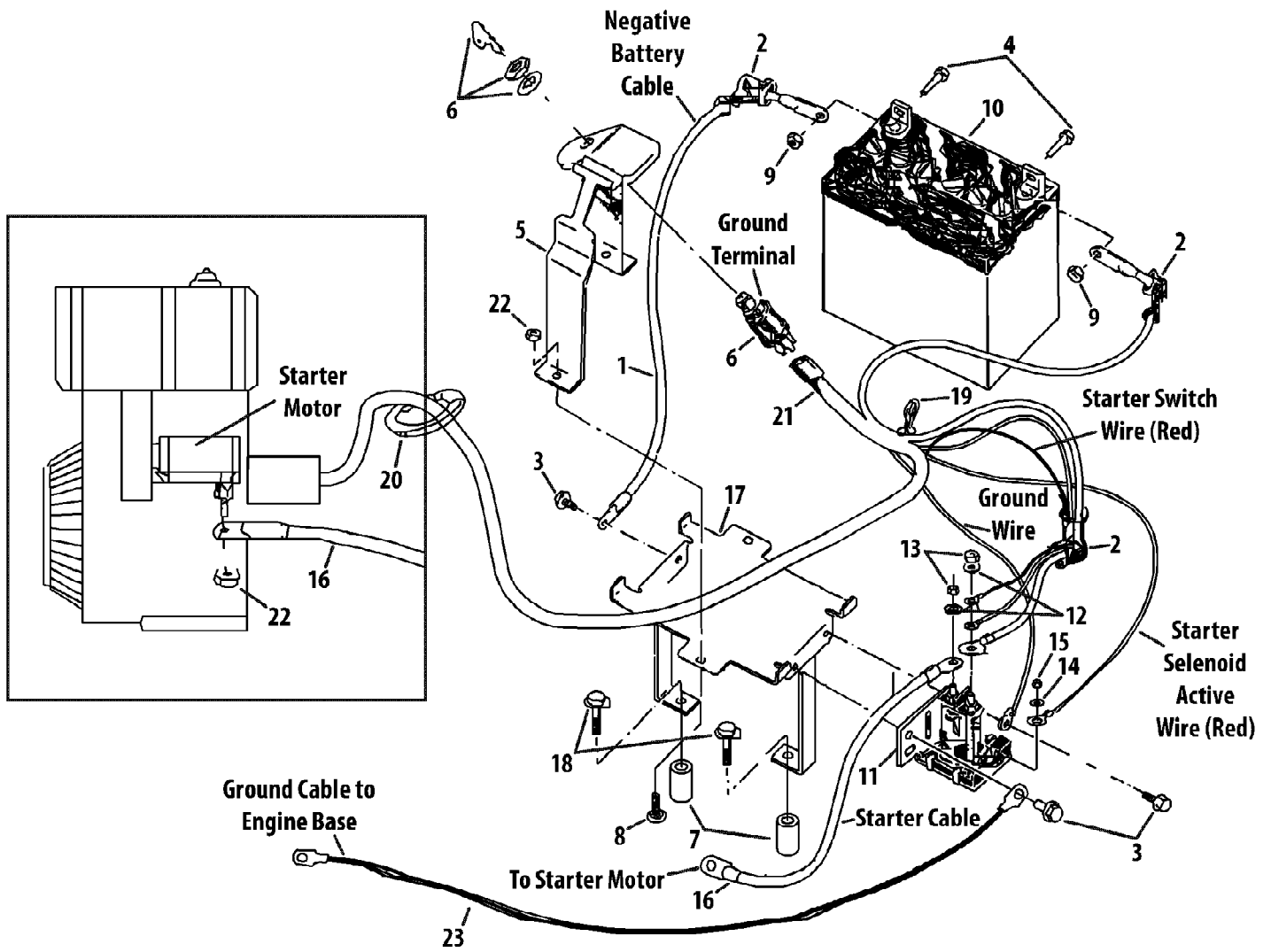
21AE682L766 Big Red Roto-Tiller (2010)
Drive System



21AE682L766 Big Red Roto-Tiller (2010)
Drive System

Page 8 of 25

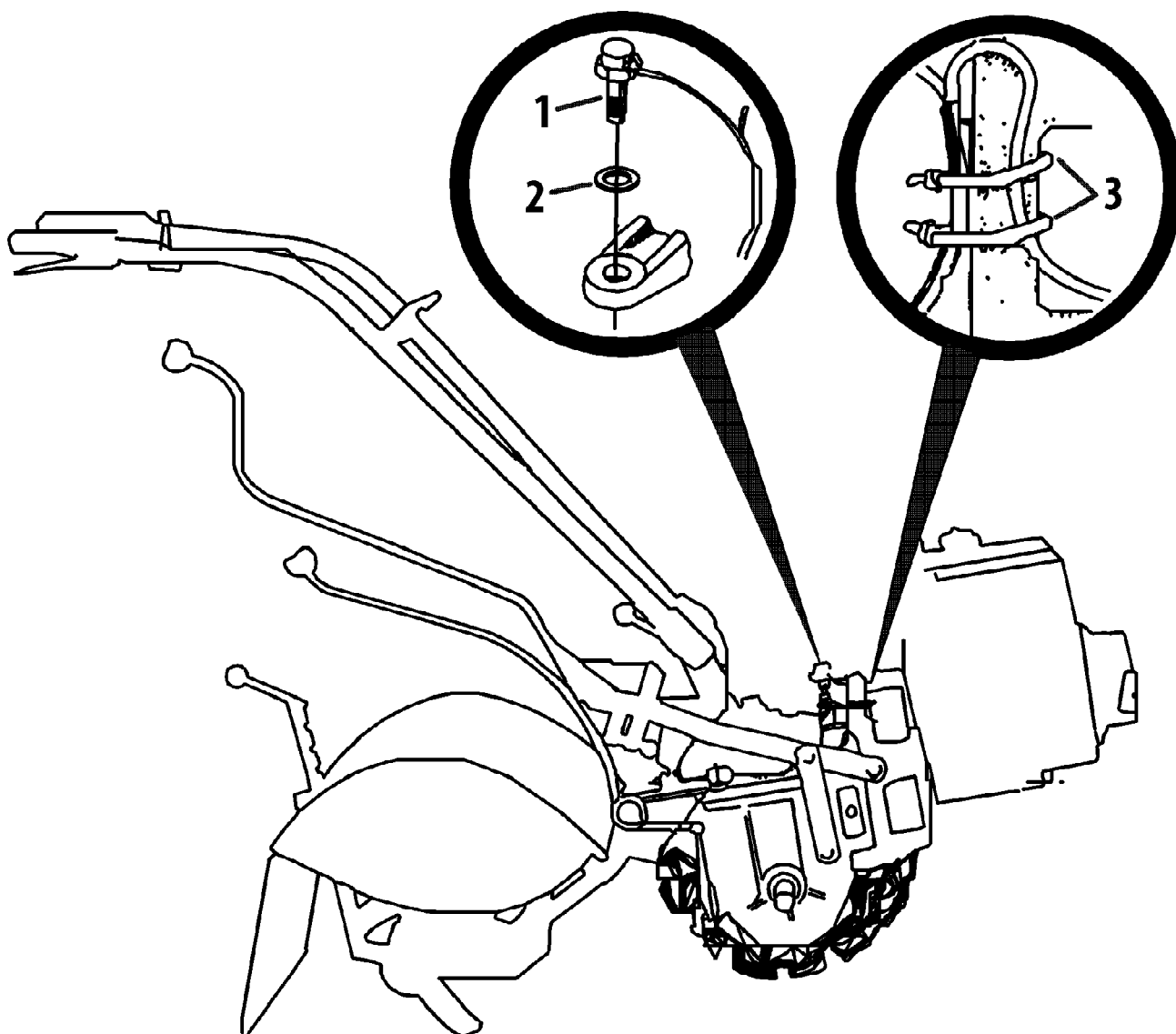
Ref #	Part Number	Qty	S/P/F	Description
1	GW-9362	1	/P	Spring Pin, 1/8"
2	936-0326	1	/P	Flat Washer, .510 x 1.0 x .125
3	GW-9934	1	/P	Shoulder Washer, 1.25 x .50 x .25
4	GW-9932	1	/P	Disc Spring Washer
5	GW-2628	1	/P	Wheel Speed Shift Lever
6	1902240	1	/P	Knob
7	GW-9317	1	/P	Cotter Pin, 3/32" x 1"
8	GW-1033	1	/P	Swivel
9	936-0275	1	/P	Flat Washer, .344 x .688 x .065
10	714-04048	1	/P	Hair Pin Cotter
11	912-0158	1	/P	Hex Locknut, 5/16"-18
12	710-0514	1	/P	Hex Head Screw, 3/8"-16 x 1"
13	936-0169	1	/P	Lockwasher, 3/8"
14	736-3050	1	/P	Flat Washer, .406 x .810 x .051
15	GW-1113-1099	1	/P	Bushing Spacer, .5 x .375 x .3
16	GW-9120	1	/P	Retaining Ring
17	GW-2102	1		Belt Adjustment, 3-7/8"
18	GW-2100	1	/P	Belt Adjustment Rod
19	912-3012	1	/P	Hex Nut, 1/2"-20
20	710-0539	1	/P	Hex Head Screw, 3/8"-24 x 1.75
21	756-04171	1	/P	Reverse Disc
22	GW-9245	1	/P	Forward Drive Belt
23	619-04124	1	/P	Engine Power Take-off Pulley
24	736-04192	1	/P	Flat Washer, .766 x 1.0 x .031
24	736-04187	1	/P	Flat Washer, .766 x 1.0 x .062
25	GW-9303	1	/P	Engine Pulley Key, 3/16"x 2-1/2"
26	710-0376	1	/P	Hex Head Screw, 5/16"-18 x 1"
27	912-3010	1	/P	Hex Nut, 5/16"-18
28	GW-1034A	1	/P	Engine Mounting Bar
29	GW-9147	1	/P	Thread Protector Plug
30	710-0672	1	/P	Hex Head Screw, 5/16"-24 x 1.125
31	936-0119	1	/P	Lockwasher, 5/16"
32	719-04222-0637	1	/P	Motor Mount
33	736-3052	1	/P	Flat Washer, .406 x 1.0 x .105
34	710-0606	1	/P	Hex Screw, 1/4"-20 x 1-1/2"
35	934-04231	1	/P	Wheel Assembly, 16 x 4.6 x 8"
35	634-04230-0662	1		Rim Assembly
35	734-0808A	1	/P	Tire, 16.2 x 4.6
36	712-04064	1	/P	Hex Flange Nut, 1/4"-20
37	1900870001	1	/P	Clutch Bracket



21AE682L766 Big Red Roto-Tiller (2010)
Electric Start System

Page 10 of 25

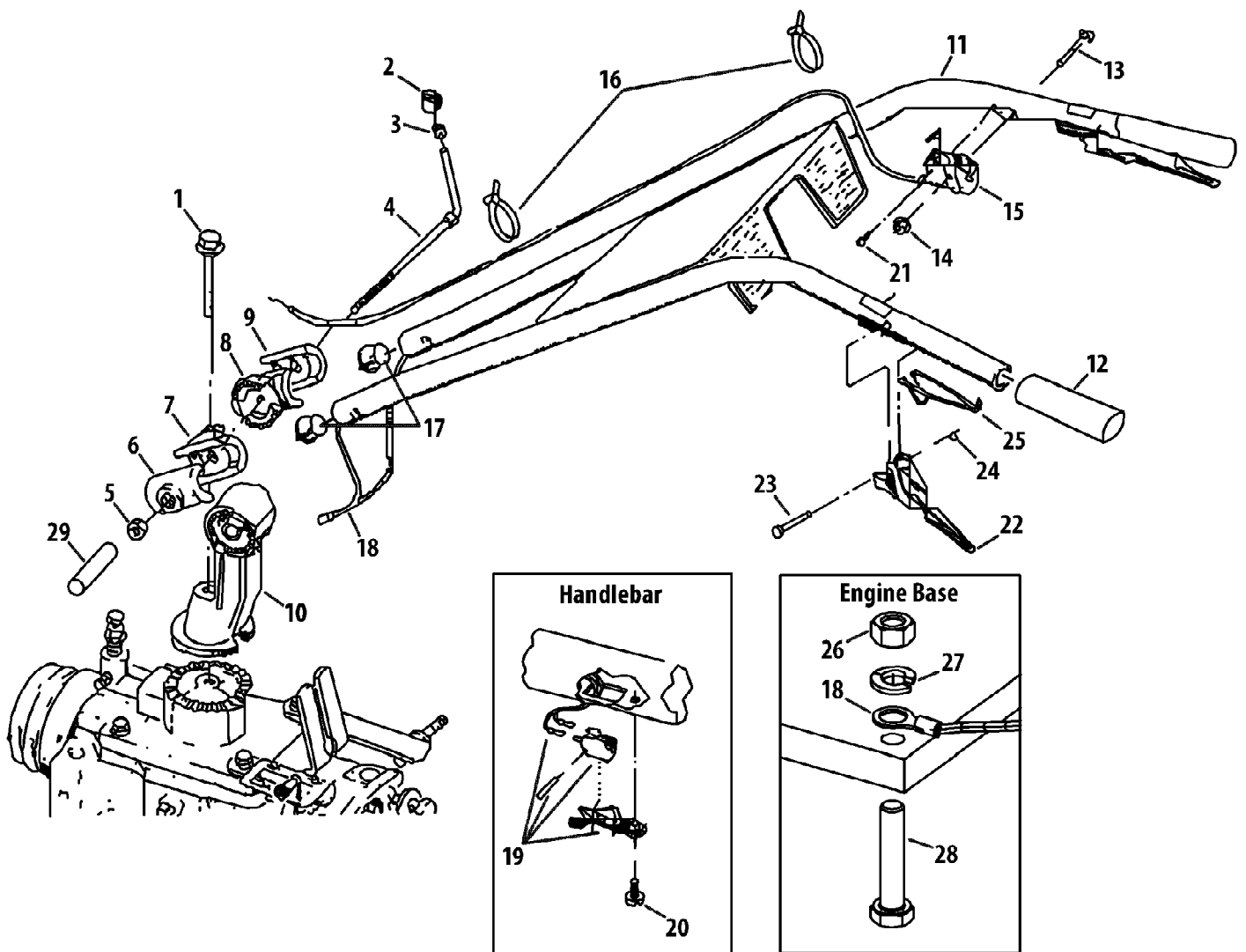
Ref #	Part Number	Qty	S/P/F	Description
1	GW-96515	1	/P	Battery Cable
2	GW-97020	1	/P	Terminal Insulating Boot
3	710-0599	1	/P	TT-Screw, 1/4"-2 x 1/2"
4	1186309	1	/P	Hex Bolt, 1/4"-20 x 5/8"
5	1900873	1	/P	Battery Hold-down Clamp w/ Att. Key Switch Plate
6	925-0267B	1	/P	Key Switch (Incl. 2 Keys)
6	925-0201	1	/P	Ignition Key Not shown
7	750-0748	1		Spacer
8	1186073	1	/P	Carriage Bolt, 1/4"-20 x 1-1/4"
9	712-3006	1	/P	Hex Nut, 1/4"-20
10	925-1707D	1	/P	12-Volt Battery
11	GW-96514099	1	/P	Starter Solenoid
12	936-0119	1	/P	Lockwasher, 5/16"
13	1186211	1	/P	Hex Nut, 5/16"-24
14	936-0147	1	/P	External Tooth Lockwasher
15	GW-9853	1	/P	Hex Nut, #10-32
16	GW-96510	1	/P	Battery Cable
17	GW-2571	1	/P	Battery Bracket
18	710-3022	1	/P	Hex Head Screw, 3/8"-16 x 2.75"
19	GW-9265	1	/P	Plastic Tie
20	725-0157	1	/P	Plastic Tie
21	725-04346	1		Wire Harness & Connecting Terminal Assembly
22	1186389	1	/P	Flangelock Nut, 1/4"-20
23	1901202	1	/P	Ground Cable



21AE682L766 Big Red Roto-Tiller (2010)
Forward Interlock System

Page 12 of 25

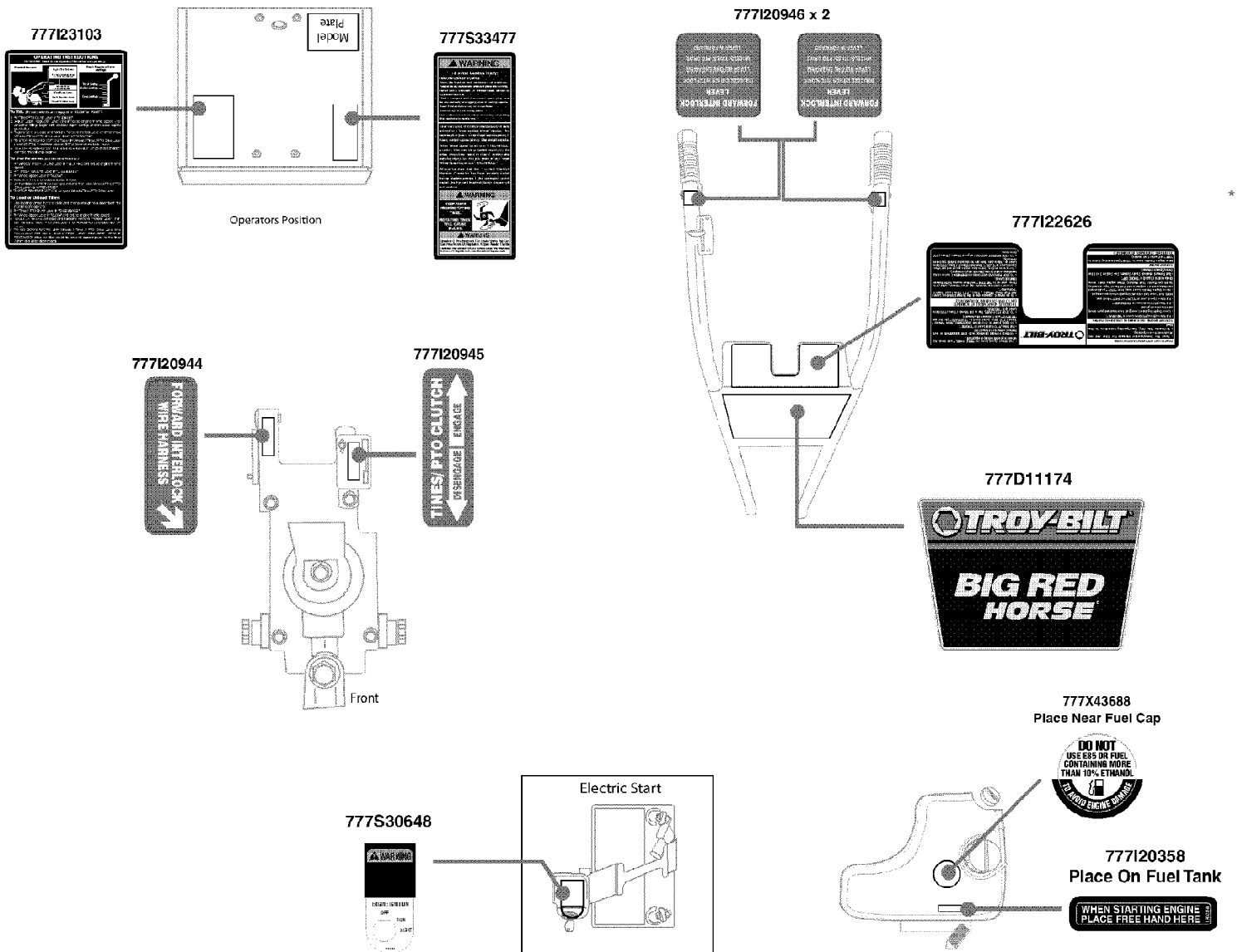
Ref #	Part Number	Qty	S/P/F	Description
1	725-04368	1		PTO Switch
2	736-0508	1		Internal L-Washer, 9/16"
3	725-0157	1	/P	Plastic Tie



21AE682L766 Big Red Roto-Tiller (2010)
Handle Assembly

Page 14 of 25

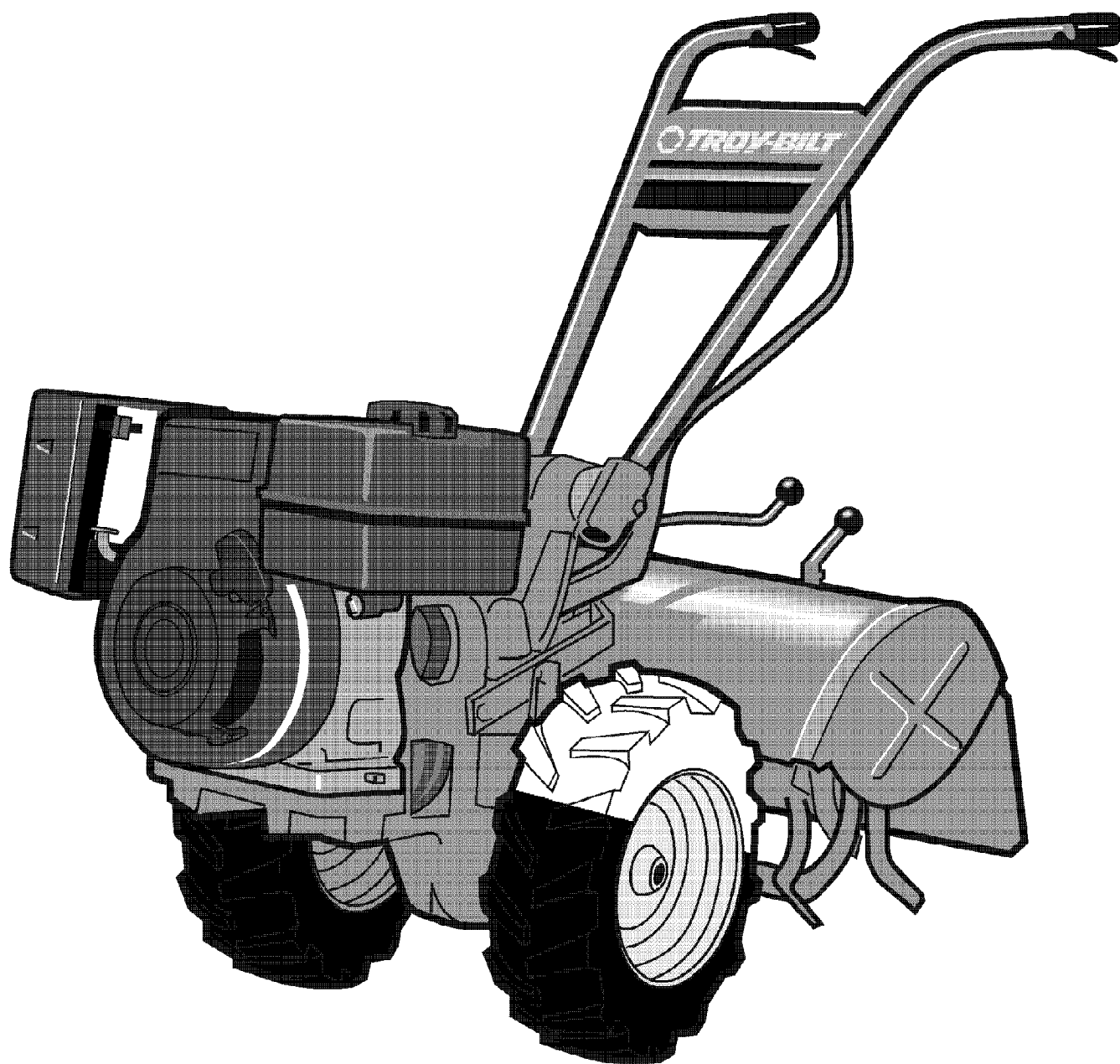
Ref #	Part Number	Qty	S/P/F	Description
1	GW-9548	1	/P	Hex Bolt, 1/2"-13 x 3-1/2"
2	GW-9119	1	/P	Handlebar Height Adjustment Knob
3	GW-9120	1	/P	Retaining Ring
4	GW-1881	1	/P	Handlebar Height Adjustment Stud
5	912-0206	1	/P	Hex Nut, 1/2"-13
6	1900854010	1	/P	Handlebar Hgt, Adj. Clamp (LT)
7	1900856010	1	/P	Handlebar Hgt. Adj. Ratchet (LT)
8	1900857010	1	/P	Handlebar Hgt. Adj. Ratchet (RT)
9	1900855010	1	/P	Handlebar Hgt. Adj. Clamp (RT)
10	1900858010	1	/P	Handlebar Mounting Base
11	649-04020-0638	1	/P	Handlebars
12	720-04083	1	/P	Handlebars Grip
13	1918111	1		Curved Head Bolt, 1/4"-20 x 2"
14	1186389	1	/P	Hex Nut, 1/4"-20
15	1909286P	1	/P	Throttle Control & Cable, 66"
16	725-0157	1	/P	Plastic Tie
17	GW-9219	1	/P	Wire Harness Retainer Plug
18	725-04367	1		Handlebar Wire Harness Assembly
19	625-04097	1	/P	Switch Assembly
20	710-0779A	1	/P	Pan Head Screw, #10-16 x 1/2"
21	GW-9733	1	/P	Phillips Head Screw, 10-32 x 1/2"
22	786-04003-0638	1	/P	Operator Presence Control Lever
23	GW-9199	1	/P	Pivot Pin
24	GW-9514	1	/P	Retaining Ring
25	GW-9387	1	/P	Return Spring
26	912-3010	1	/P	Hex Nut, 5/16"-18
27	936-0119	1	/P	Washer, 5/16"
28	710-0805	1	/P	Hex Head Screw, 5/16"-18 x 1.5
29	1901835	1		Plug Cap



21AE682L766 Big Red Roto-Tiller (2010)
Label Map Big Red Horse

Page 16 of 25

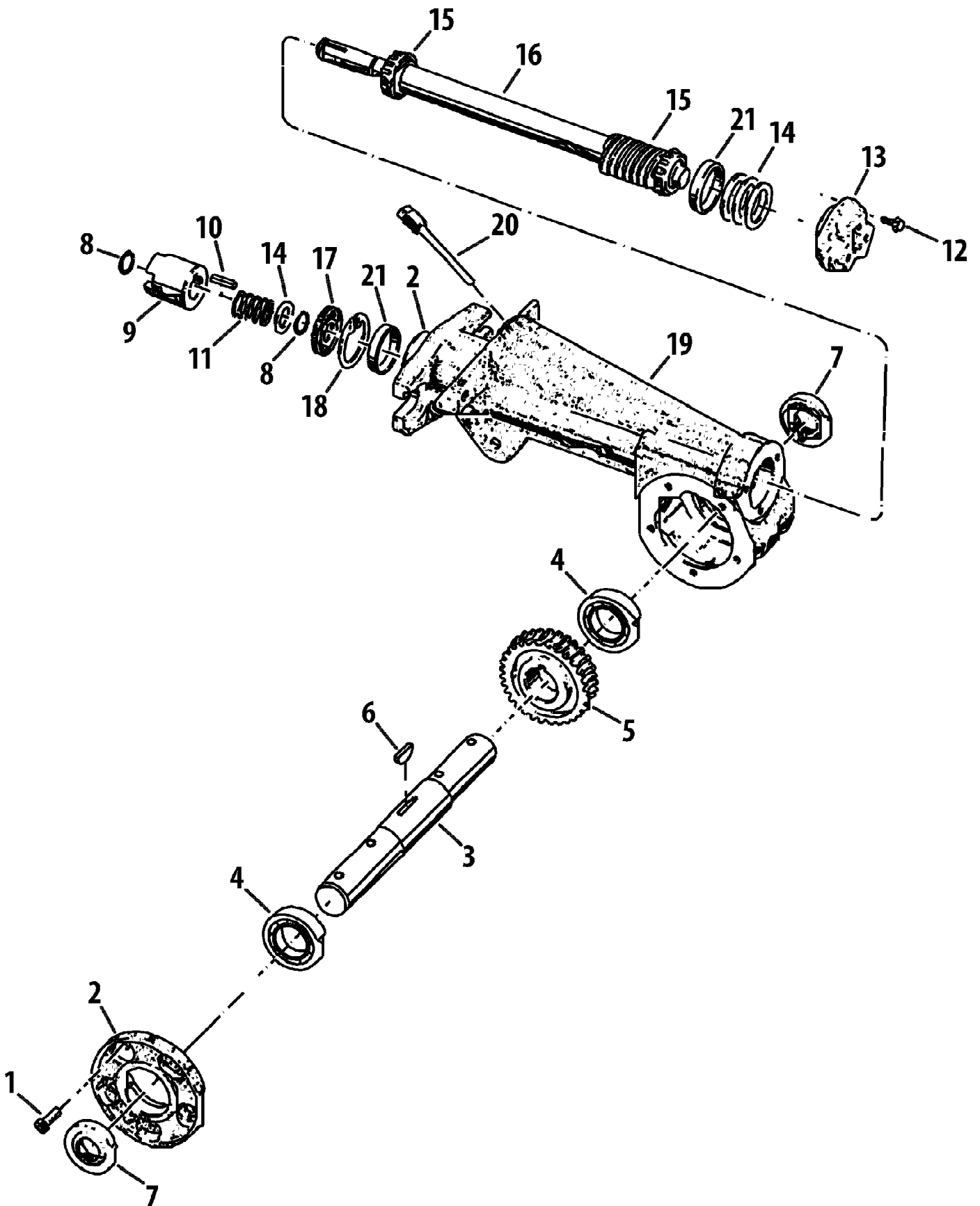
Ref #	Part Number	Qty	S/P/F	Description
777I23103	777I23103	1		LABEL-TILLER 600 TINE SHIELD
777S33477	777S33477	1		LABEL-TLR/680:TN/SHLD:WRNG
777I20944	777I20944	1	/P	LABEL-FORWARD INTR
777I20945	777I20945	1	/P	LABEL-TINES/PTO CLUTCH TBILT TILLER
777S30648	777S30648	1	/P	LABEL-ENGINE IGNIT
777I20358	777I20358	1		LBL-PLACE HAND HERE
777X43688	777X43688	1		LABEL-ETHANOL
777D11174	777D11174	1		LABEL-TILLER HANDLE BIG RED
777I22626	777I22626	1		LABEL:TILLER HANDLE 680
777I20946	777I20946	1		LABEL-FORWARD INTRLK TBILT TILLER



21AE682L766 Big Red Roto-Tiller (2010)
Quick Reference

Page 18 of 25

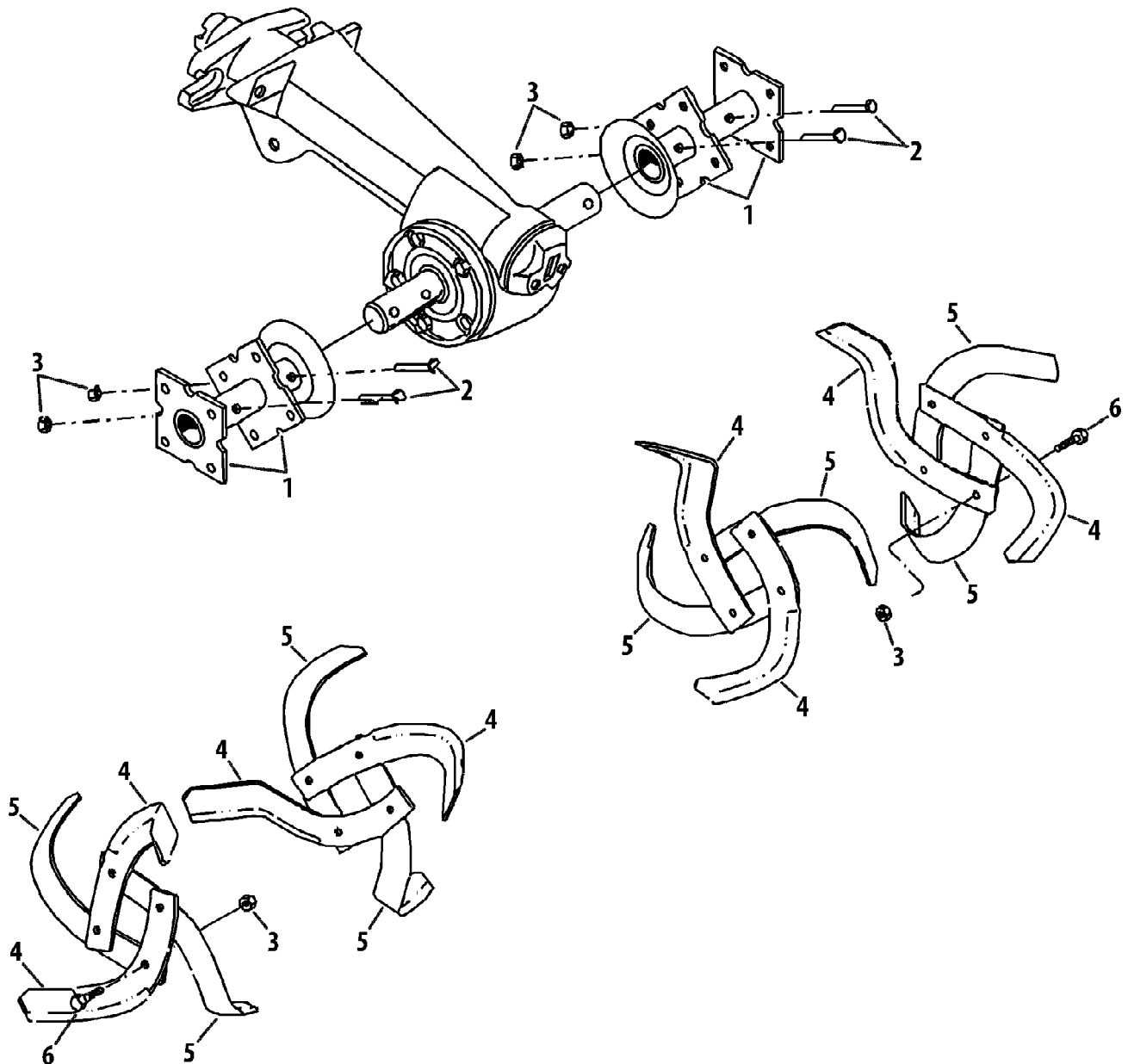
Ref #	Part Number	Qty	S/P/F	Description
	759-3336	1	/P	Spark Plug
	BS-491435S	1	/P	Pre Filter
	BS-491588S	1	/P	Air Filter
	951-3013	1	S	Fuel Filter
	BS-795221	1		Fuel Cap
	GW-9245	1	/P	Drive Belt - FWD
	N/A	1		Drive Belt - REV
	619-04124	1	/P	Engine PTO Pulley
	1909286P	1	/P	Clutch Cable - FWD
	N/A	1		Clutch Cable - REV
	742-04223-0637	1	/P	Bolo Tine Left
	742-04224-0637	1	/P	Bolo Tine Right
	934-04231	1	/P	Wheel Assembly
	934-04231	1	/P	Foam Grip
	1902240	1	/P	Shift Control Knob
	GW-2595099	1	/P	Handle Knob



21AE682L766 Big Red Roto-Tiller (2010)
Tiller Shaft Assembly

Page 20 of 25

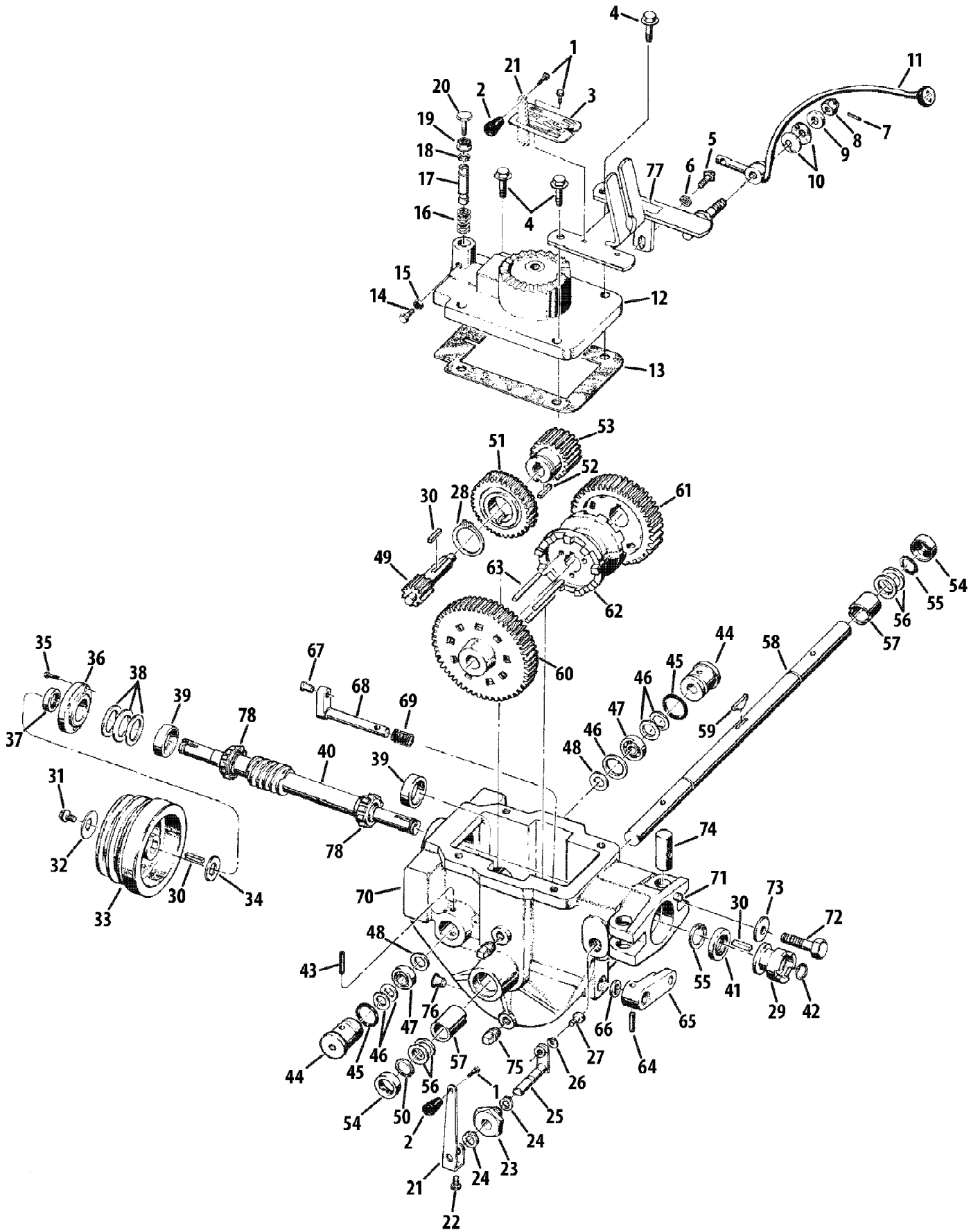
Ref #	Part Number	Qty	S/P/F	Description
1	1915068	1	/P	Self-Sealing Screw, 1/4"-20 x 5/8" Screws have special sealing, cannot be reused.
2	GW-20873	1	/P	Tiller Housing Cover
3	911-04082	1	/P	Tine Shaft
4	941-3037	1	/P	Ball Bearing
5	1901976	1	/P	Worm Gear
6	GW-1104	1	/P	Woodruff Key
7	921-04035	1	/P	Oil Seal
8	916-0101	1	/P	External Retaining Ring
9	718-04614	1	/P	Dog Clutch
10	GW-9301099	1	/P	Key, 3/16" x 1"
11	GW-2127	1	/P	Spring
12	1915069	1	/P	Self-Sealing Screw, 1/4"-20 x 7/8" Screws have special sealing, cannot be reused.
13	718-04406	1	/P	Cap
14	736-04305	1	/P	Flat Washer, 1.75 x 1.5 x .062 Use multiple washer to obtain required thickness of .005"-.015"
14	736-04306	1	/P	Flat Washer, 1.75 x 1.5 x .005 Use multiple washer to obtain required thickness of .005"-.015"
14	736-04307	1	/P	Flat Washer, 1.75 x 1.5 x .03 Use multiple washer to obtain required thickness of .005"-.015"
14	736-04308	1	/P	Flat Washer, 1.75 x 1.5 x .01 Use multiple washer to obtain required thickness of .005"-.015"
15	941-04299	1	/P	Cup Bearing
16	GW-11602	1	/P	Shaft
17	921-04030	1	/P	Oil Seal
18	716-04102	1	/P	Retaining Ring
19	1902000	1	/P	Attachment Housing
20	1909157	1		Oil Dipstick
21	941-04298	1	/P	Cone Bearing



21AE682L766 Big Red Roto-Tiller (2010)
Tine Assembly

Page 22 of 25

Ref #	Part Number	Qty	S/P/F	Description
1	686-04068-0637	1	/P	Tine Holder
2	710-3096	1	/P	Hex Bolt, 3/8"-16 x 2"
3	912-3000	1	/P	Hex Locknut, 3/8"-16
4	742-04223-0637	1	/P	Bolo Tine Left
5	742-04224-0637	1	/P	Bolo Tine Right
6	710-0514	1	/P	Hex Head Screw, 3/8"-16 x 1"



21AE682L766 Big Red Roto-Tiller (2010)
Wheel Shaft Assembly

Page 24 of 25

Ref #	Part Number	Qty	S/P/F	Description
1	710-04454	1	/P	Hex Head Screw, #10-32 x 3/8"
2	GW-9463	1	/P	Knob
3	GW-2263	1	/P	Plate
4	1186349	1	/P	Hex Flange Bolt, 3/8"-16 x 1-1/2"
5	710-04043	1	/P	Hex Flange Bolt, 5/16"-18 x 3/4"
6	936-0275	1	/P	Flat Washer, 5/16"
7	GW-9362	1	/P	Spring Pin, 1/8"
8	912-3012	1	/P	Hex Nut, 1/2"-20
8	936-0326	1	/P	Flat Washer, .510 x 1.0 x .125
9	GW-9934	1	/P	Shoulder Washer, 1.25 x .50 x .25
10	GW-9932	1	/P	Disc Spring Washer, 1.97 x 1.0 x .118
11	GW-2628	1	/P	Wheel Speed Shift Lever
12	719-04015P	1	/P	Power Unit Transmission Cover
13	GW-1123	1	/P	Transmission Cover Gasket
14	710-0376	1	/P	Hex Head Screw, 5/16"-18 x 1"
15	912-3010	1	/P	Hex Nut, 5/16"-18
16	1901439	1	/P	Plunger Spring
17	GW-1035	1	/P	Plunger
18	1901440	1	/P	Clip Ring
19	712-04065	1	/P	Flange Lock Nut, 3/8"-16
20	1902004	1	/P	Screw, 3/8"-16 x 1-1/2"
21	786-04002	1	/P	Tines/PTO Clutch Lever
22	710-3013	1	/P	Hex Head Screw, 1/4"-20 x 1/2"
23	741-04008	1	/P	Tines/PTO Clutch Bushing
24	GW-9516	1	/P	External Retaining Ring
25	GW-2461	1	/P	Tines/PTO Clutch Shaft
26	GW-9911	1	/P	Hi-Collar Lockwasher, 1/4"
27	GW-9672	1	S	Socket Head Screw, 1/4"-20 x 3/8"
28	916-0101	1	/P	External Retaining Ring
29	718-04615	1	/P	Dog Clutch
30	GW-9301099	1	/P	Key, 3/16" x 1"
31	710-0157	1	/P	Hex Head Screw, 5/16"-24 x 3/4"
32	736-04193	1	/P	Spring Washer, .827 x .331 x .098
33	GW-2107	1	/P	Transmission Drive Pulley
34	GW-50027	1	/P	Flat Washer, 1.25 x .687 x .075
35	1186310	1	/P	Flange Nut, 1/4"-20 x .75
36	718-04007	1	/P	Front Bearing Cap
37	921-04044	1	/P	Oil Seal
38	736-04305	1	/P	Flat Washer, 1.175 x 1.5 x .062
38	736-04306	1	/P	Flat Washer, 1.175 x 1.5 x .005
38	736-04307	1	/P	Flat Washer, 1.175 x 1.5 x .03
38	736-04308	1	/P	Flat Washer, 1.175 x 1.5 x .01
39	941-04299	1	/P	Cup Bearing
40	GW-2655	1		Main Drive Shaft
41	921-04030	1	/P	Oil Seal
42	716-04102	1	/P	Retaining Ring
43	715-0121	1	/P	Roll Pin (Spirol), 1/4" x 2
44	718-04006	1		Pinion Bearing
45	GW-9604	1	/P	O-Ring
46	736-04310	1		Flat Washer, 1.234 x 1.015 x .062
46	GW-1132-1	1	/P	Flat Washer, 1.234 x 1.015 x .033
46	GW-1132-3	1	/P	Flat Washer, 1.234 x 1.015 x .01
47	GW-9404	1	/P	Ball Bearing

Ref #	Part Number	Qty	S/P/F	Description
48	GW-1126	1	/P	Washer
49	GW-1222	1	/P	Pinion Stem
50	716-04119	1		External Retaining Ring, 1.387 ID
51	GW-2656	1	/P	Worm Gear
52	GW-9300	1	/P	Key, 3/16" x 5/8"
53	GW-1233	1	/P	Fast Speed Pinion Gear
54	921-04031	1	/P	Oil Seal
55	716-04104	1	/P	External Retaining Ring
56	736-04257	1	/P	Flat Washer, 1.375 x 1.015 x .005
56	736-04258	1	/P	Flat Washer, 1.375 x 1.015 x .01
56	736-04259	1		Flat Washer, 1.375 x 1.015 x .015
56	736-04260	1		Flat Washer, 1.375 x 1.015 x .03
56	736-04309	1	/P	Flat Washer, 1.375 x 1.015 x .062
57	941-04300	1	/P	Bushing, 1.25 x 1.005 x 1.5
58	711-04258	1		Wheel Shaft
59	714-04014	1	/P	Hi-Pro Key, .250 x 1.8125
60	GW-1223	1	/P	Slow Speed Gear
61	GW-1232	1	/P	Fast Gear Speed
62	GW-1237	1	/P	Dog Clutch
63	GW-1112	1	/P	Clutch Guide Pin, 1/4"
64	1911372	1	/P	Spring Pin, 3/16" x 1-1/4"
65	619-04000-0637	1	/P	Wheel Speed Shifting Lever
66	921-04034	1	/P	Oil Seal
67	GW-1442	1	S	Wheel Speed Shifting Pin
68	611-04003	1	/P	Wheel Speed Shifting Shaft
69	GW-1441	1	/P	Spring
70	GW-2109099	1	/P	Transmission Housing
71	GW-9359	1	/P	Alignment Pin
72	1100067	1	/P	Hex Screw, 1/2"-13 x 2"
73	GW-9928	1	/P	Disc Spring Washer
74	GW-2126	1		Post
75	1105620	1	/P	Pipe Plug, 1/4"
76	GW-9122	1	/P	Plug-Red Plastic
77	1900870001	1	/P	Clutch Bracket
78	941-04298	1	/P	Cone Bearing