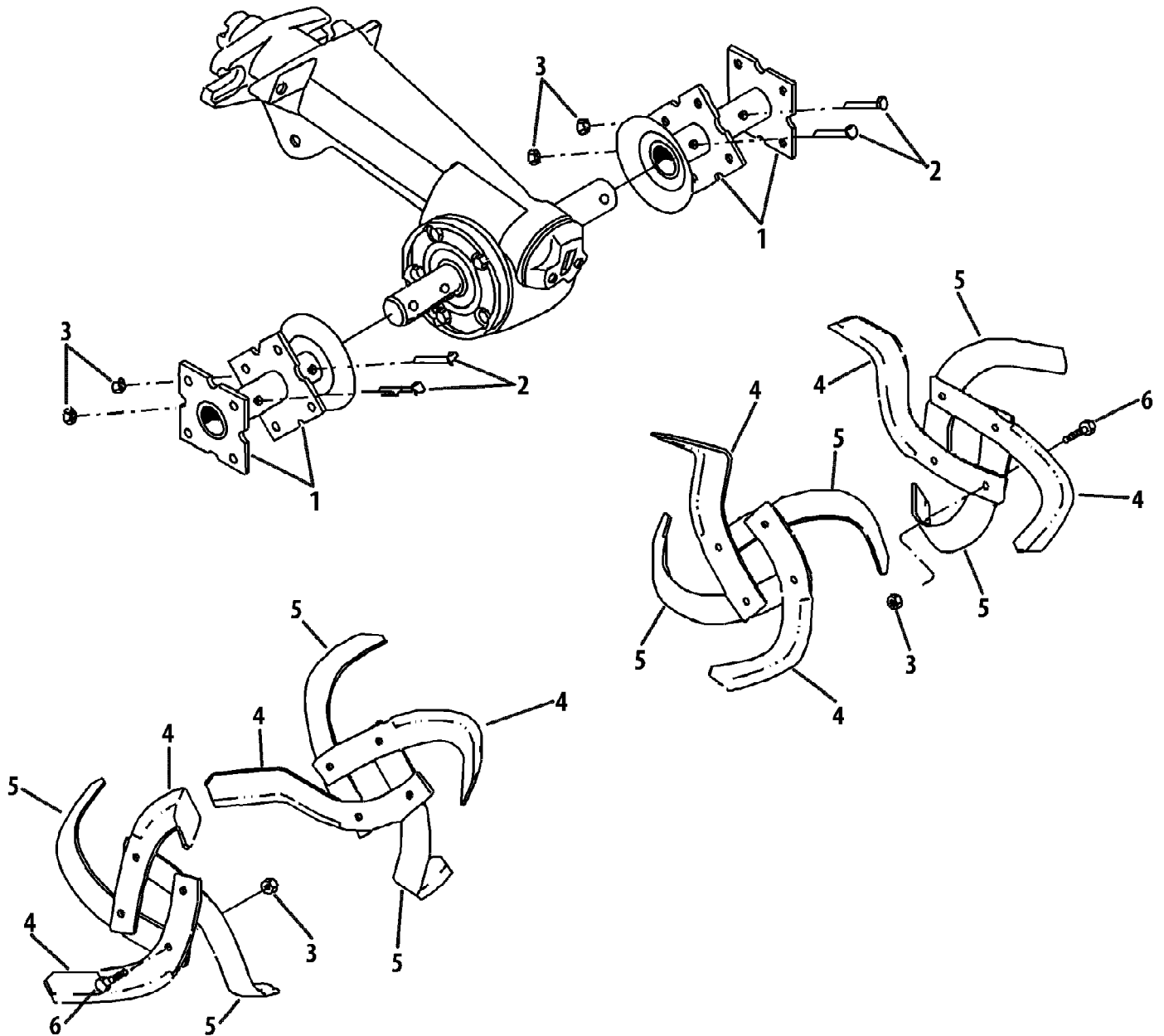


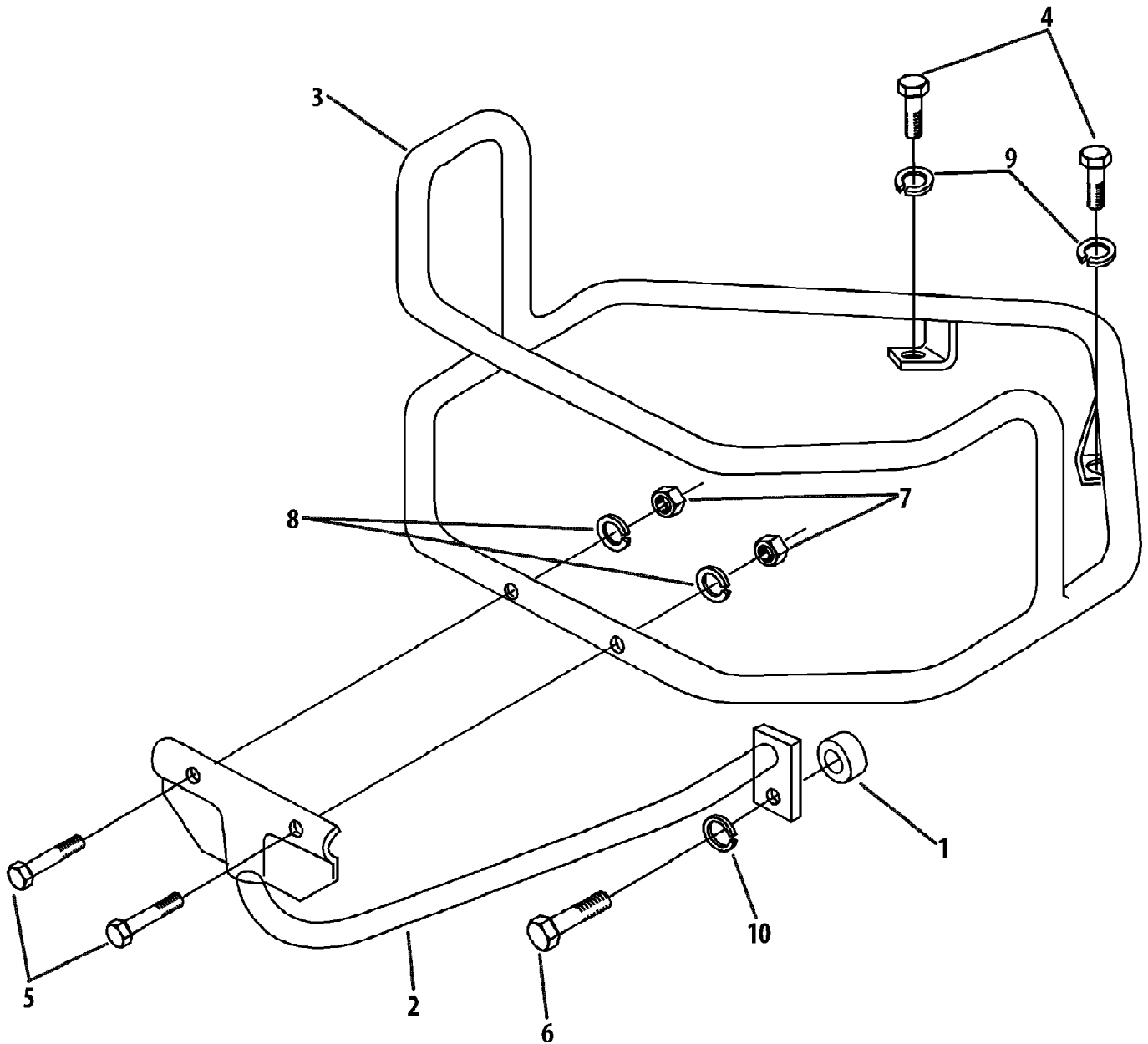
21AE682L766 305cc Roto-Tiller (2008)
Bolo Tine Assembly



21AE682L766 305cc Roto-Tiller (2008)
Bolo Tine Assembly

Page 2 of 25

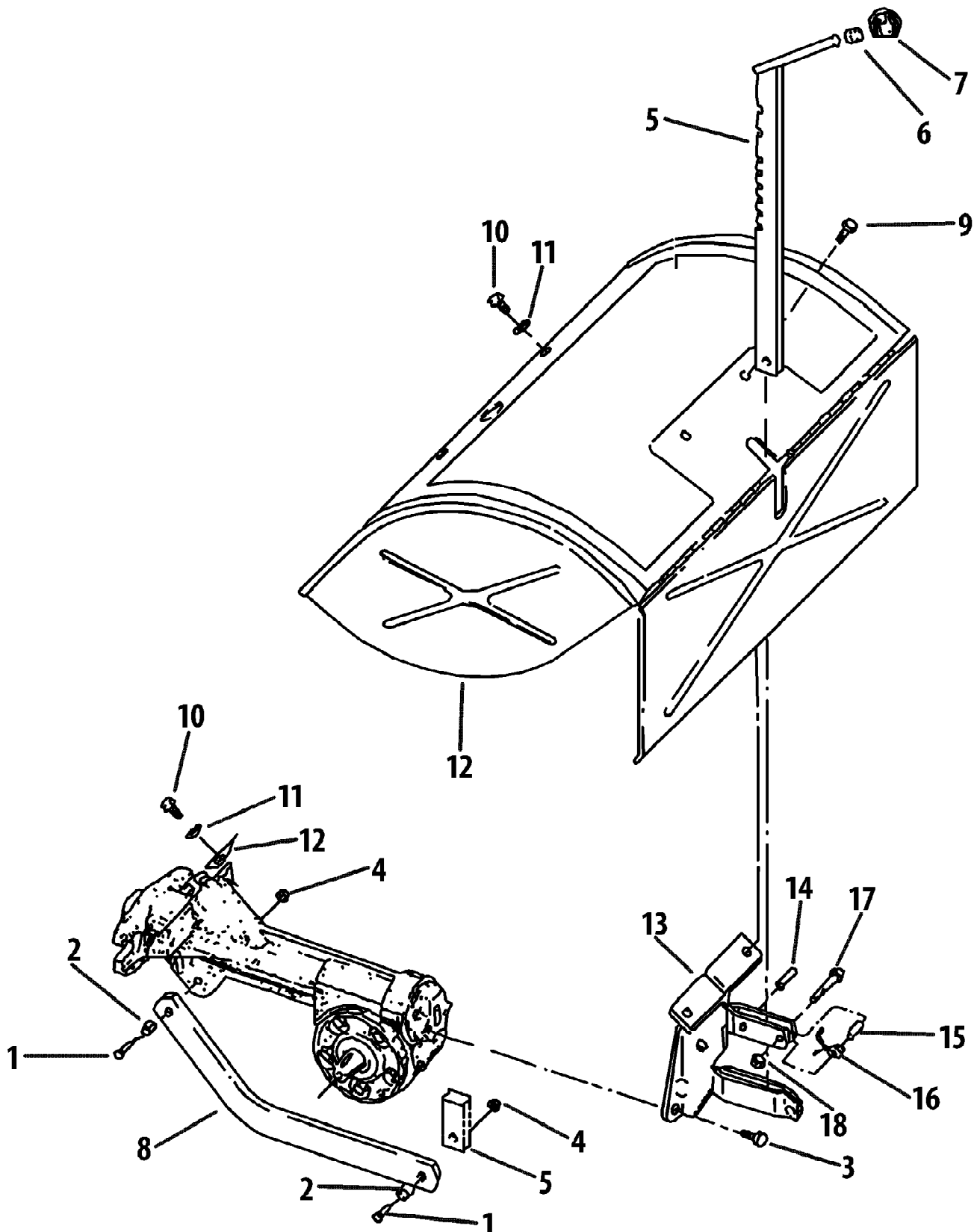
| Ref # | Part Number | Qty | S/P/F | Description |
|-------|-------------|-----|-------|------------------------|
| 1 | 686-04068 | 1 | S | Tine Holder |
| 2 | 710-3096 | 1 | /P | Hex Bolt, 3/8-16 x 2" |
| 3 | 712-3000 | 1 | S | Hex Locknut, 3/8 "-16 |
| 4 | 742-04118 | 1 | S | Bolo Tine Left |
| 5 | 742-04119 | 1 | S | Bolo Tine Right |
| 6 | 710-3005 | 1 | /P | Hex Bolt, 3/8 -16 x 1" |



21AE682L766 305cc Roto-Tiller (2008)
Bumper Attachment Assembly

Page 4 of 25

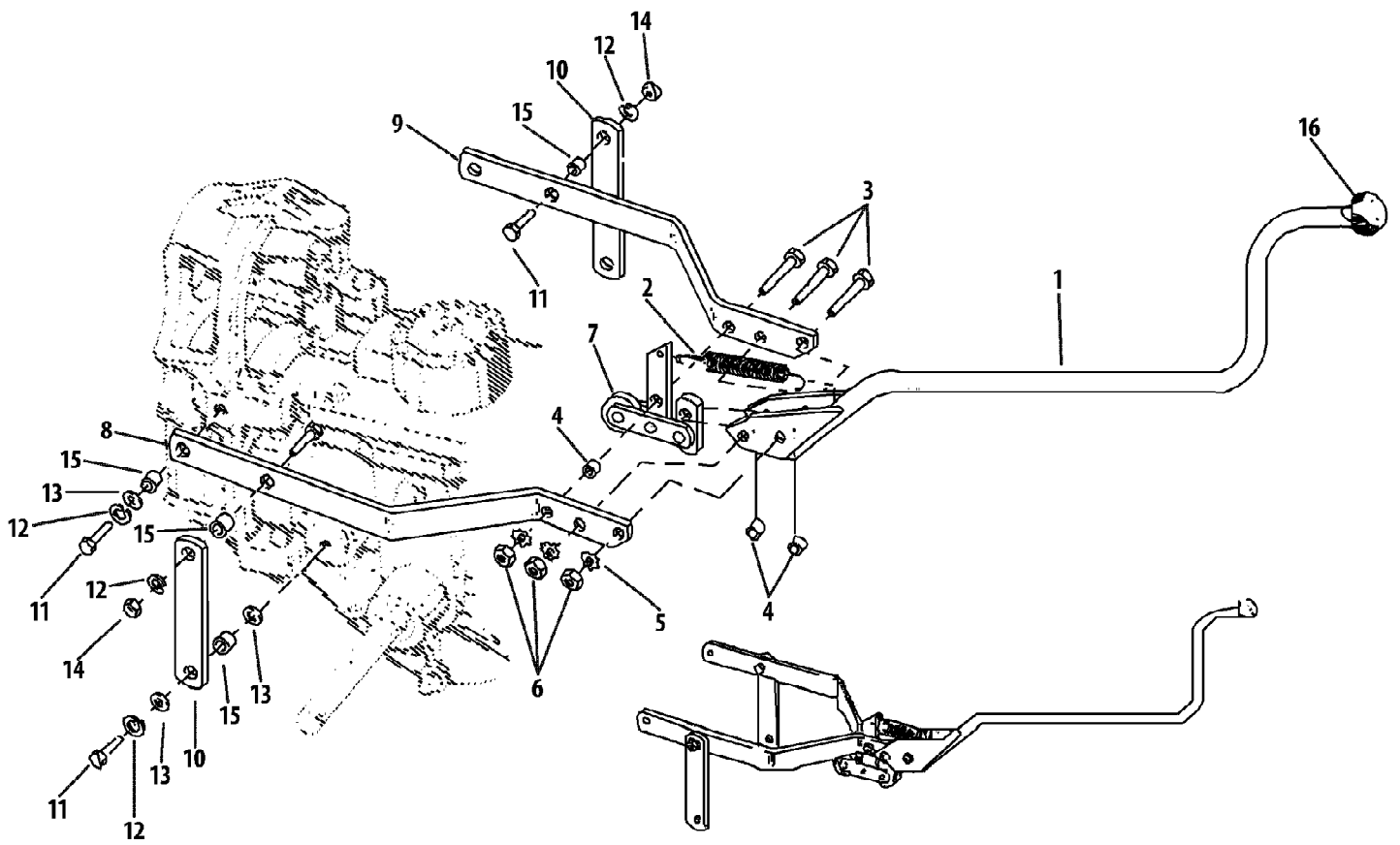
| Ref # | Part Number | Qty | S/P/F | Description |
|-------|-------------|-----|-------|---------------------------|
| 1 | 1909748 | 1 | /P | Spacer, 1.0 x .546 x .5 |
| 2 | 1910730 | 1 | S | Bottom Bumper Brace |
| 3 | 1910731 | 1 | S | Bumper Guard |
| 4 | 710-0514 | 1 | /P | Hex Screw, 3/8 -16 x 1.00 |
| 5 | 710-0805 | 1 | /P | Hex Screw, 5/16-18 x 1.50 |
| 6 | 710-3181 | 1 | /P | Hex Screw, 1/2-13 x 1.50 |
| 7 | 712-3010 | 1 | S | Hex Nut, 5/16-18 |
| 8 | 736-0119 | 1 | S | Lock Washer, 5/16 |
| 9 | 736-0169 | 1 | S | Lock Washer, 3/8 |
| 10 | 736-0921 | 1 | S | Lock Washer, 1/2 |



21AE682L766 305cc Roto-Tiller (2008)
Depth Regulator & Tine Shield Assembly

Page 6 of 25

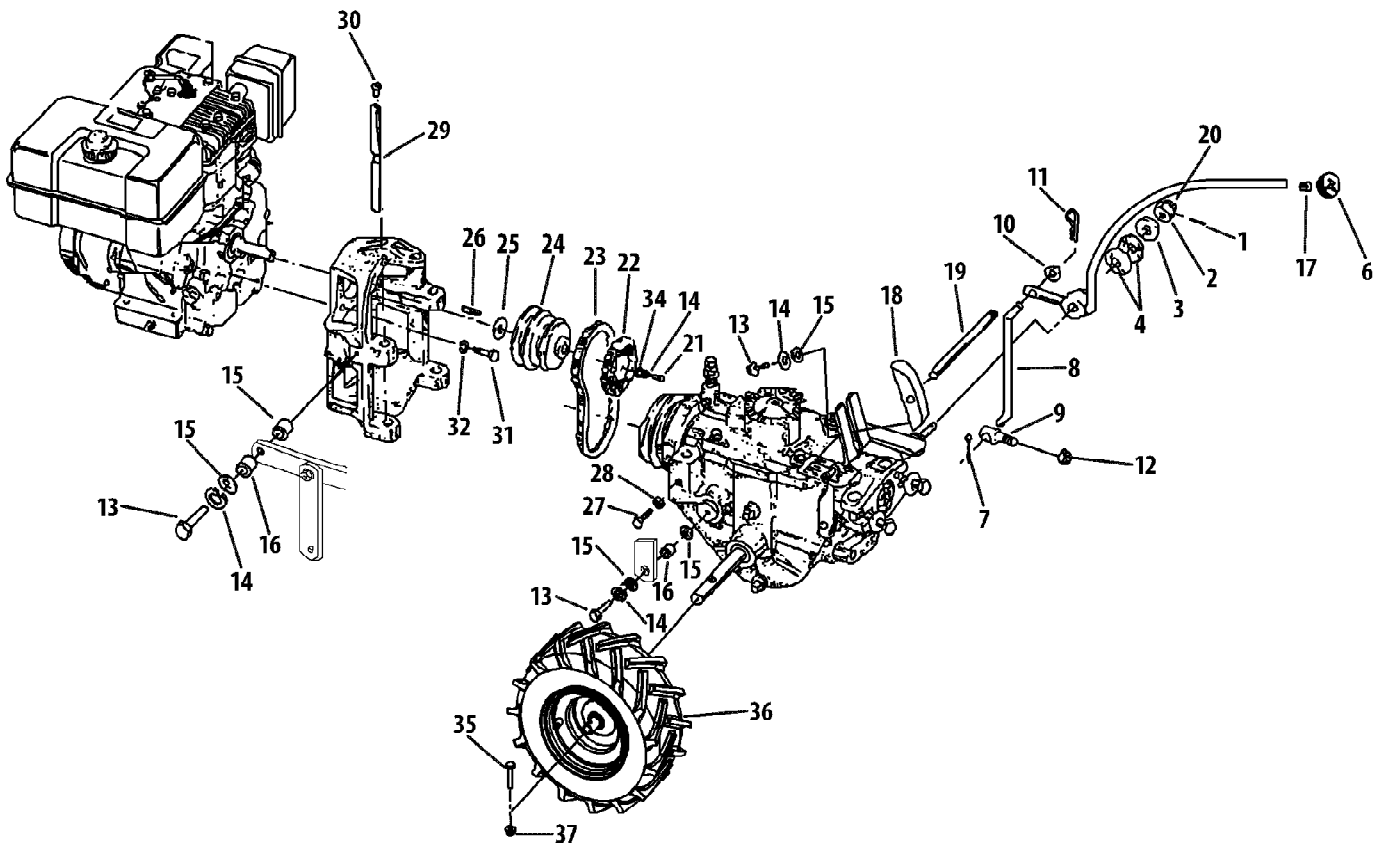
| Ref # | Part Number | Qty | S/P/F | Description |
|-------|-------------|-----|-------|-------------------------------------|
| 1 | 710-3005 | 1 | /P | Hex Bolt, 3/8 -16 x 1-1/4" |
| 2 | GW-1113-1 | 1 | S | Bushing, 19/64" |
| 3 | 710-04049 | 1 | /P | Hex Flange Bolt, 5/16-18 x 5/8 " |
| 4 | 712-04065 | 1 | /P | Hex Nut, 3/8 "-16 |
| 5 | GW-20795 | 1 | S | Depth Regulator |
| 6 | GW-9120 | 1 | /P | Retaining Ring |
| 7 | GW-9119 | 1 | /P | Depth Regulator Knob |
| 8 | GW-2121 | 1 | S | Depth Regulator Bar Drag |
| 9 | 710-0599 | 1 | /P | Thread-forming Screw, 1/4-20 x 1/2" |
| 10 | 710-04043 | 1 | /P | Hex Flange Bolt, 5/16-18 x 3/4" |
| 11 | GW-9929 | 1 | /P | Flat Washer, 5/16" |
| 12 | 1904563 | 1 | /P | Hood |
| 13 | GW-2525 | 1 | | Bracket |
| 14 | 715-04034 | 1 | /P | Roll Pin (Spirol), 1/4" x 1" |
| 15 | 750-04556 | 1 | | Split Spacer |
| 16 | 732-04320 | 1 | /P | Spring |
| 17 | 710-0597 | 1 | /P | Hex Bolt, 1/4-20 x 1" |
| 18 | 712-04064 | 1 | /P | Locknut, 1/4"-20 |



21AE682L766 305cc Roto-Tiller (2008)
Drive Lever & Yoke Assembly

Page 8 of 25

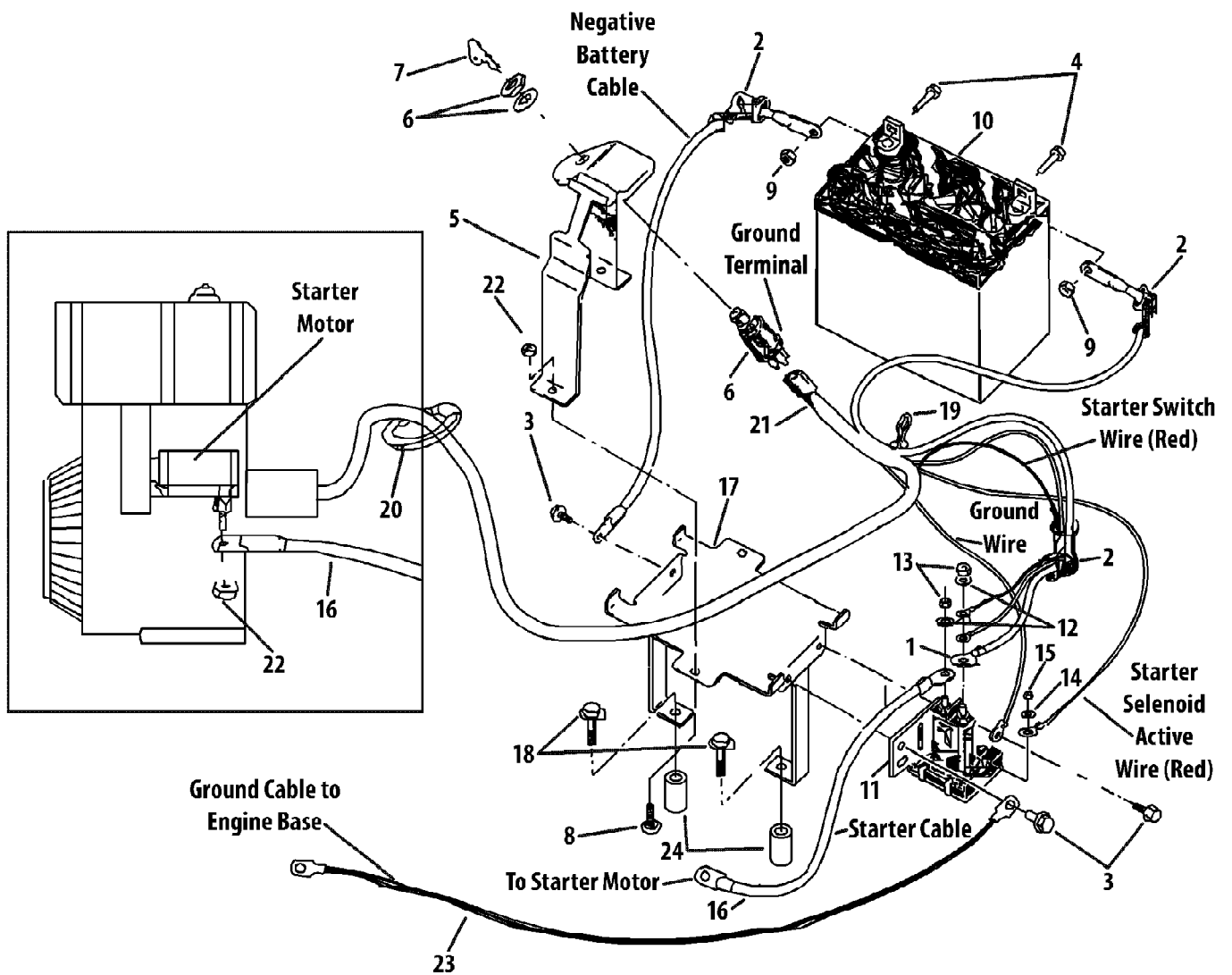
| Ref # | Part Number | Qty | S/P/F | Description |
|-------|-------------|-----|-------|----------------------------------|
| 1 | GW-2595 | 1 | S | Forward/Reverse Lever |
| 2 | 1908156 | 1 | /P | Clutch Pawl Spring |
| 3 | 710-0805 | 1 | /P | Hex Bolt, 5/16-18 x 1-1/2" |
| 4 | GW-2447 | 1 | /P | Bushing, 3/8 " |
| 5 | 1177548 | 1 | S | External Tooth Lockwasher, 5/16" |
| 6 | 712-3010 | 1 | S | Hex Nut, 5/16"-18 |
| 7 | 686-04006 | 1 | S | Roller Assembly |
| 8 | GW-2165-1 | 1 | S | Yoke (Left) |
| 9 | GW-2165-2 | 1 | S | Yoke (Right) |
| 10 | GW-2164 | 1 | S | Yoke Pivot Link, 6- / " |
| 11 | 710-0514 | 1 | /P | Hex Bolt, 3/8 -16 x 1" |
| 12 | 736-0169 | 1 | S | Spring Lockwasher, 3/8 " |
| 13 | 736-3050 | 1 | /P | Flat Washer, 3/8 " |
| 14 | 712-3017 | 1 | S | Hex Nut, 3/8"-16 |
| 15 | GW-1113-1 | 1 | S | Bushing Spacer, 19/64" |
| 16 | GW-2595 | 1 | S | Knob |



21AE682L766 305cc Roto-Tiller (2008)
Drive System

Page 10 of 25

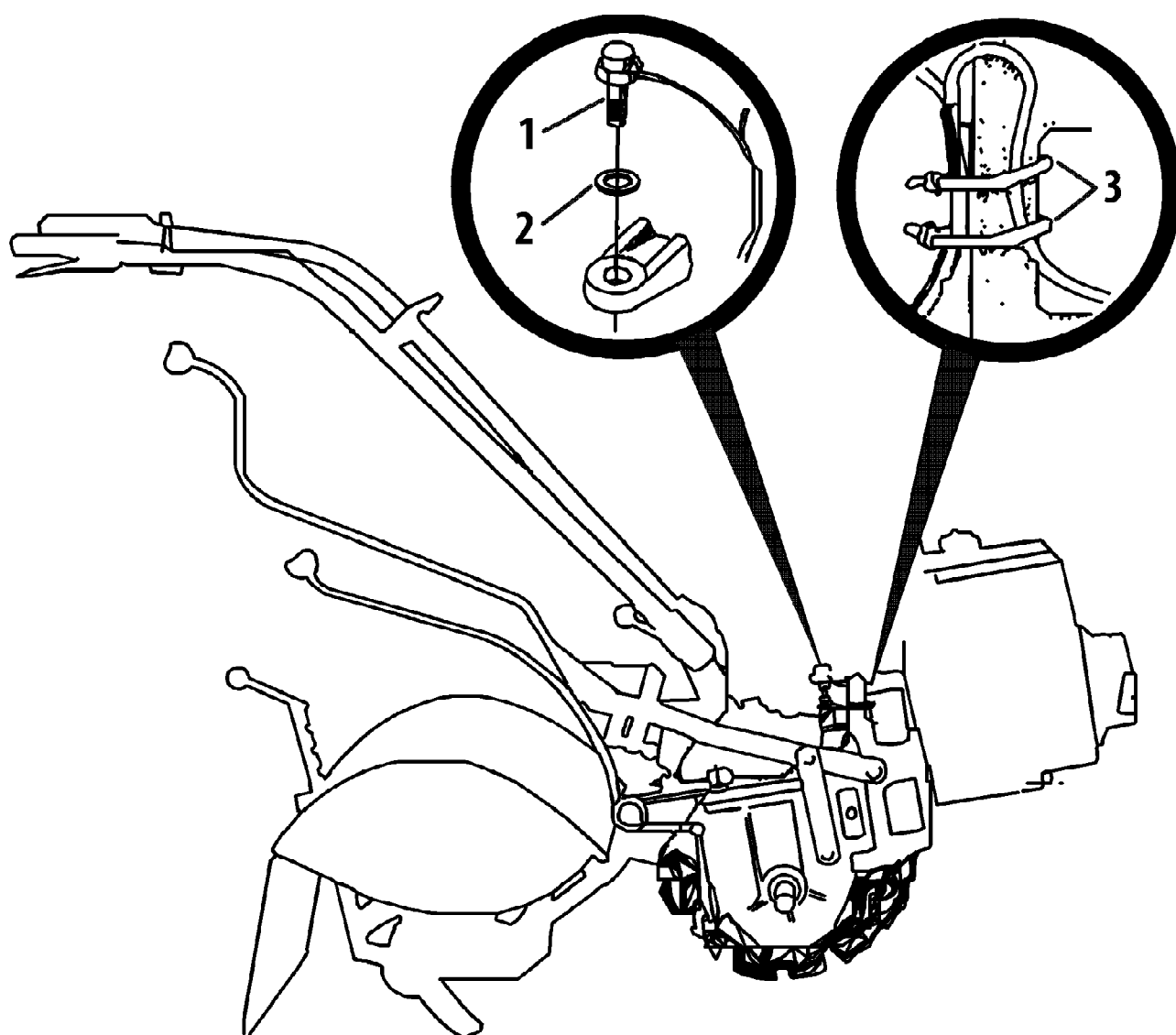
| Ref # | Part Number | Qty | S/P/F | Description |
|-------|-------------|-----|-------|--|
| 1 | GW-9362 | 1 | /P | Spring Pin, 1/8" |
| 2 | 736-0326 | 1 | S | Flat Washer, .510 x 1.0 x .125 |
| 3 | GW-9934 | 1 | /P | Shoulder Washer, 1/2" |
| 4 | GW-9932 | 1 | /P | Disc Spring Washer |
| 5 | GW-2178 | 1 | S | Wheel Speed Shift Lever |
| 6 | 1902240 | 1 | /P | Knob |
| 7 | GW-9317 | 1 | /P | Cotter Pin, 3/32" x 1" |
| 8 | N/A | 1 | | Connecting rod |
| 9 | GW-1033 | 1 | /P | Swivel |
| 10 | 736-0275 | 1 | S | Flat Washer, 5/16" |
| 11 | 714-04048 | 1 | /P | Hair Pin Cotter |
| 12 | 712-0158 | 1 | S | Hex Locknut, 5/16"-18 |
| 13 | 710-0514 | 1 | /P | Hex Bolt, 3/8 -16 x 1" |
| 14 | 736-0169 | 1 | S | Spring Lockwasher, 3/8 " |
| 15 | 736-3050 | 1 | /P | Flat Washer, 3/8 " |
| 16 | GW-1113-1 | 1 | S | Spacer Bushing, 19/64" |
| 17 | GW-9120 | 1 | /P | Retaining Ring |
| 18 | GW-2102 | 1 | | Belt Adjustment, 3- 7/8" |
| 19 | GW-2100 | 1 | /P | Belt Adjustment Rod |
| 20 | 712-3012 | 1 | S | Hex Nut, 1/2-20 |
| 21 | 710-0539 | 1 | /P | Hex Bolt, 3/8 -24 x 1.75 |
| 22 | 756-04171 | 1 | /P | Reverse Disc |
| 23 | GW-9245 | 1 | /P | Forward Drive Belt |
| 24 | 619-04124 | 1 | /P | Engine Power Take-off Pulley |
| 25 | 736-04192 | 1 | /P | Flat Washer, .766 x 1.0 x .031 |
| 25 | 736-04187 | 1 | /P | Flat Washer, .766 x 1.0 x .062 Not Shown |
| 26 | GW-9303 | 1 | /P | Engine Pulley Key, 3/16"x 2-1/2" |
| 27 | 710-0376 | 1 | /P | Hex Bolt, 5/16-18 x 1" |
| 28 | 712-3010 | 1 | S | Hex Nut, 5/16-18 |
| 29 | GW-1034 | 1 | S | Engine Mounting Bar |
| 30 | GW-9147 | 1 | /P | Thread Protector Plug |
| 31 | 710-04458 | 1 | S | Hex Bolt, 5/16-24 x 1-1/8 " |
| 32 | 736-0119 | 1 | S | Spring Lockwasher, 5/16" |
| 33 | 719-04222 | 1 | S | Motor Mount |
| 34 | 736-3052 | 1 | /P | Flat Washer, .406 x 1.0 x .105 |
| 35 | 710-0606 | 1 | /P | Hex Screw, 1/4-20 x 1-1/2" |
| 36 | 634-04231 | 1 | S | Wheel Assembly, 16 x 4.6 x 8" |
| 36 | 634-04230 | 1 | | Rim Assembly Not Shown |
| 36 | 734-0808 | 1 | S | Tire, 16.2 x 4.6 Not Shown |
| 37 | 712-04064 | 1 | /P | Hex Flange Nut, 1/4-20 |



21AE682L766 305cc Roto-Tiller (2008)
Electric Start System

Page 12 of 25

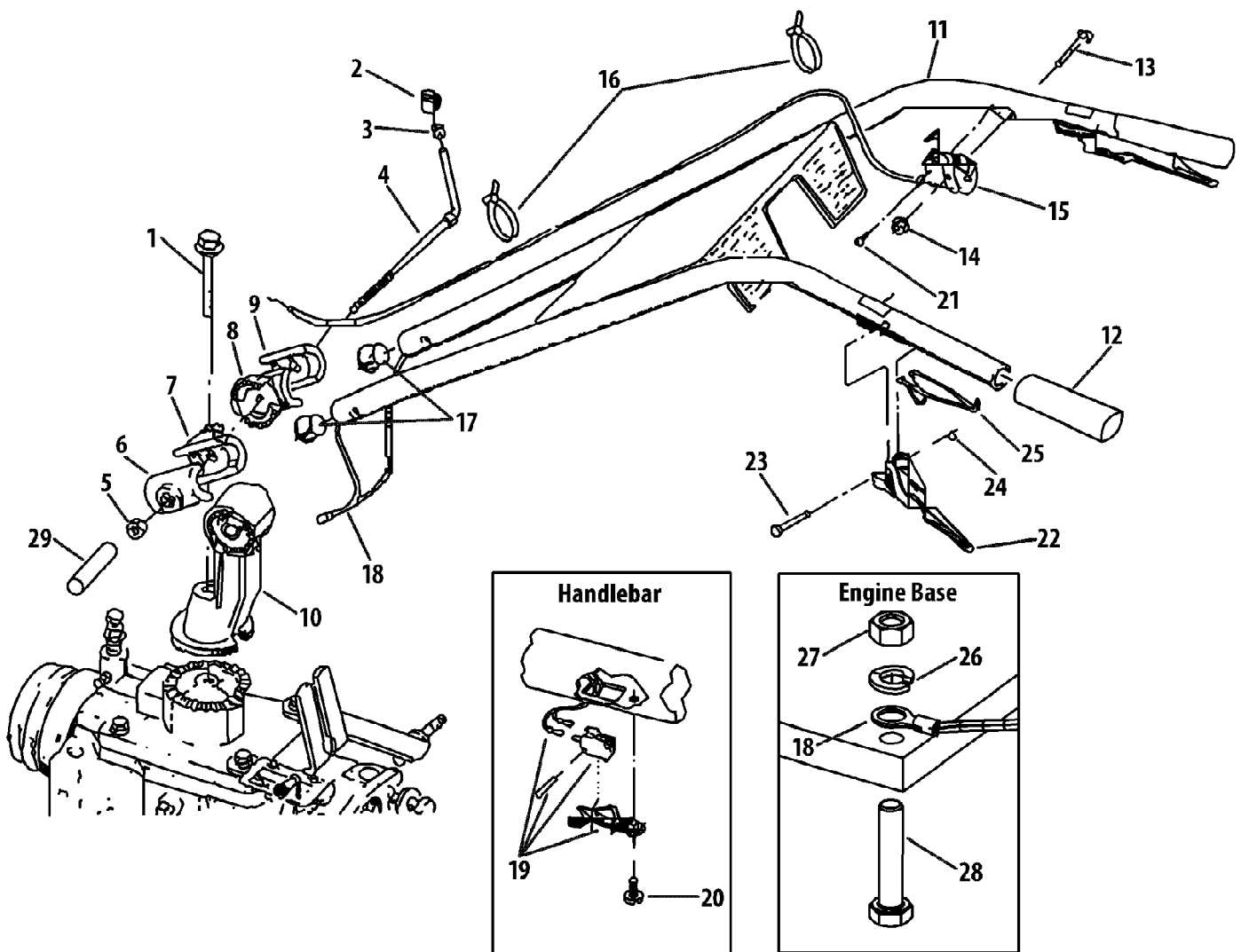
| Ref # | Part Number | Qty | S/P/F | Description |
|-------|-------------|-----|-------|--|
| 1 | GW-96515 | 1 | /P | Battery Cable |
| 2 | GW-97020 | 1 | /P | Terminal Insulating Boot |
| 3 | 710-0599 | 1 | /P | TT-Screw, 1/4-2 x 1/2" |
| 4 | 1186309 | 1 | /P | Hex Bolt, 1/4-20 x 5/8 " |
| 5 | GW-2614 | 1 | S | Battery Hold-down Clamp w/ Att. Key Switch Plate |
| 6 | 725-0267B | 1 | S | Key Switch (Incl. 2 Keys, Ref. 7) |
| 7 | 725-0201 | 1 | S | Ignition Key |
| 8 | 1186073 | 1 | /P | Carriage Bolt, 1/4-20 x 1-1/4" |
| 9 | 712-3006 | 1 | /P | Hex Nut, 1/4"-20 |
| 10 | 725-1706A | 1 | S | 12-Volt Battery |
| 11 | GW-96514 | 1 | S | Starter Solenoid |
| 12 | 736-0119 | 1 | S | Lockwasher, 5/16" |
| 13 | 1186211 | 1 | /P | Hex Nut, 5/16 "-24 |
| 14 | 736-0147 | 1 | S | External Tooth Lockwasher |
| 15 | GW-9853 | 1 | /P | Hex Nut, #10-32 |
| 16 | GW-96510 | 1 | /P | Solenoid Cable |
| 17 | GW-2557 | 1 | S | Battery Bracket |
| 18 | 710-3022 | 1 | /P | HH Cap Screw, 3/8 -16 x 2.75" |
| 19 | GW-9265 | 1 | /P | Plastic Tie |
| 20 | 725-0157 | 1 | /P | Plastic Tie |
| 21 | 725-04346 | 1 | | Wire Harness & Connecting Terminal Assembly |
| 22 | 1186389 | 1 | /P | Hex Locknut, 1/4"-20 |
| 23 | 1901202 | 1 | /P | Ground Cable |
| 24 | 750-0748 | 1 | | Spacer |



21AE682L766 305cc Roto-Tiller (2008)
Forward Interlock System

Page 14 of 25

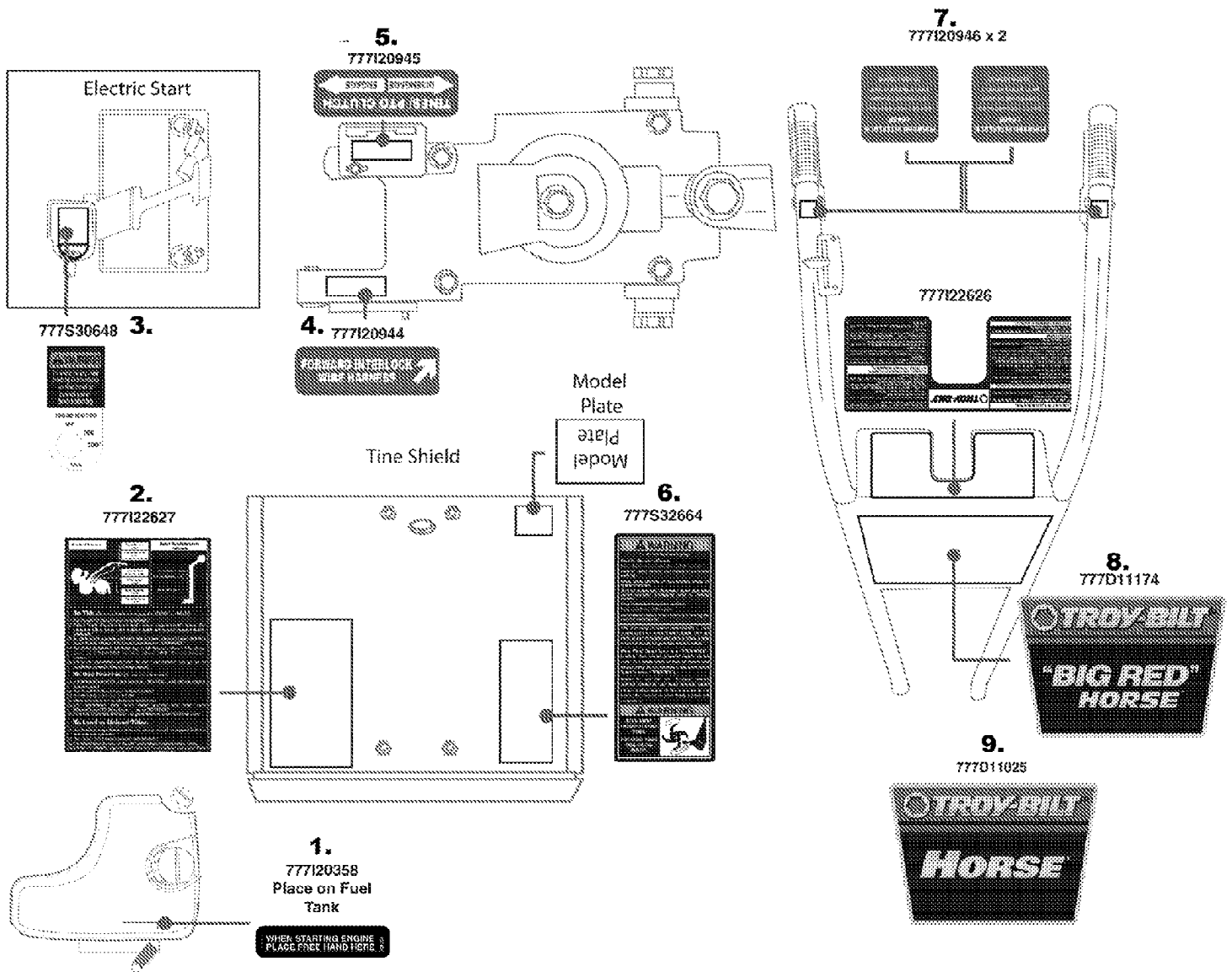
| Ref # | Part Number | Qty | S/P/F | Description |
|-------|-------------|-----|-------|----------------------------------|
| 1 | 725-04368 | 1 | | Forward Engine Wire Harness Ass. |
| 2 | 736-0508 | 1 | | Internal L-Washer, 9/16" |
| 3 | 725-0157 | 1 | /P | Plastic Tie |



21AE682L766 305cc Roto-Tiller (2008)
Handle Assembly

Page 16 of 25

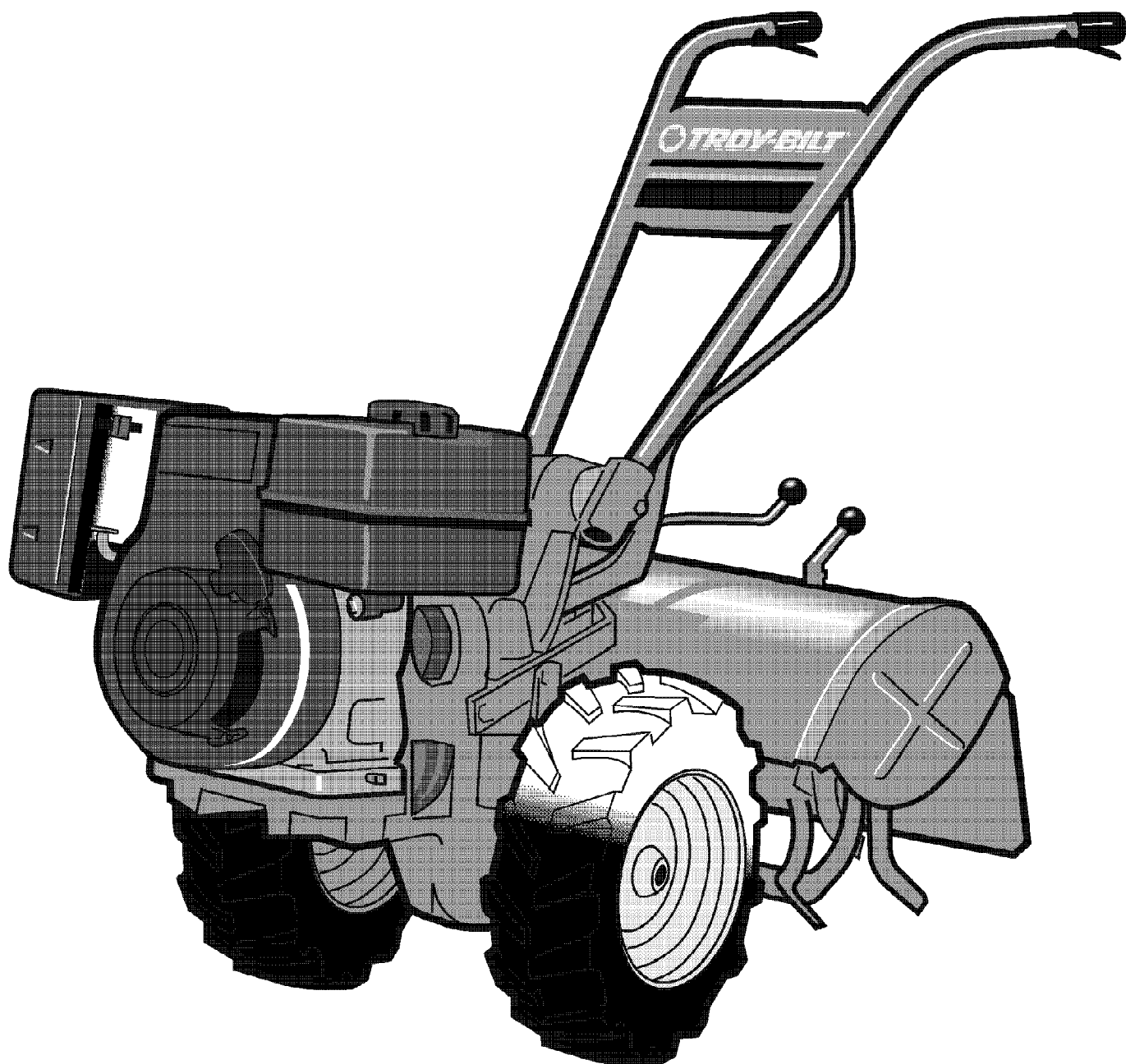
| Ref # | Part Number | Qty | S/P/F | Description |
|-------|-------------|-----|-------|-----------------------------------|
| 1 | GW-9548 | 1 | /P | Hex Bolt, 1/2-13 x 3-1/2" |
| 2 | GW-9119 | 1 | /P | Handlebar Height Adjustment Knob |
| 3 | GW-9120 | 1 | /P | Retaining Ring |
| 4 | GW-2657 | 1 | S | Handlebar Height Adjustment Stud |
| 5 | 1186233 | 1 | S | Hex Nut, 1/2"-13 |
| 6 | GW-1021-1 | 1 | S | Handlebar Hgt, Adj. Clamp (LT) |
| 7 | GW-2542-1 | 1 | S | Handlebar Hgt. Adj. Ratchet (LT) |
| 8 | GW-2542-2 | 1 | S | Handlebar Hgt. Adj. Ratchet (RT) |
| 9 | 1901784 | 1 | S | Handlebar Hgt. Adj. Clamp (RT) |
| 10 | GW-2534A | 1 | S | Handlebar Mounting Base |
| 11 | 649-04020 | 1 | S | Handlebars |
| 12 | 720-04083 | 1 | /P | Handlebars Grip |
| 13 | 1918111 | 1 | | Curved Head Bolt, 1/4-20 x 2" |
| 14 | 1186389 | 1 | /P | Hex Nut, 1/4"-20 |
| 15 | 1909286 | 1 | S | Throttle Control & Cable, 66" |
| 16 | 725-0157 | 1 | /P | Plastic Tie |
| 17 | GW-9219 | 1 | /P | Wire Harness Retainer Plug |
| 18 | 725-04367 | 1 | | Handlebar Wire Harness Assembly |
| 19 | GW-2563 | 1 | S | Switch Assembly |
| 20 | 710-0779A | 1 | /P | Pan Head Screw, #10-16 x 1/2" |
| 21 | GW-9733 | 1 | /P | Phillips Head Screw, 10-32 x 1/2" |
| 22 | 786-04003 | 1 | S | Operator Presence Control Lever |
| 23 | GW-9199 | 1 | /P | Pivot Pin |
| 24 | GW-9514 | 1 | /P | Retaining Ring |
| 25 | GW-9387 | 1 | /P | Return Spring |
| 26 | 712-3010 | 1 | S | Hex Nut, 5/16-18 |
| 27 | 736-0119 | 1 | S | Washer, 5/16 |
| 28 | 710-0805 | 1 | /P | Cap Screw, 5/16-18 x 1.5 |
| 29 | 1901835 | 1 | | Plug Cap |



21AE682L766 305cc Roto-Tiller (2008)
Label Map

Page 18 of 25

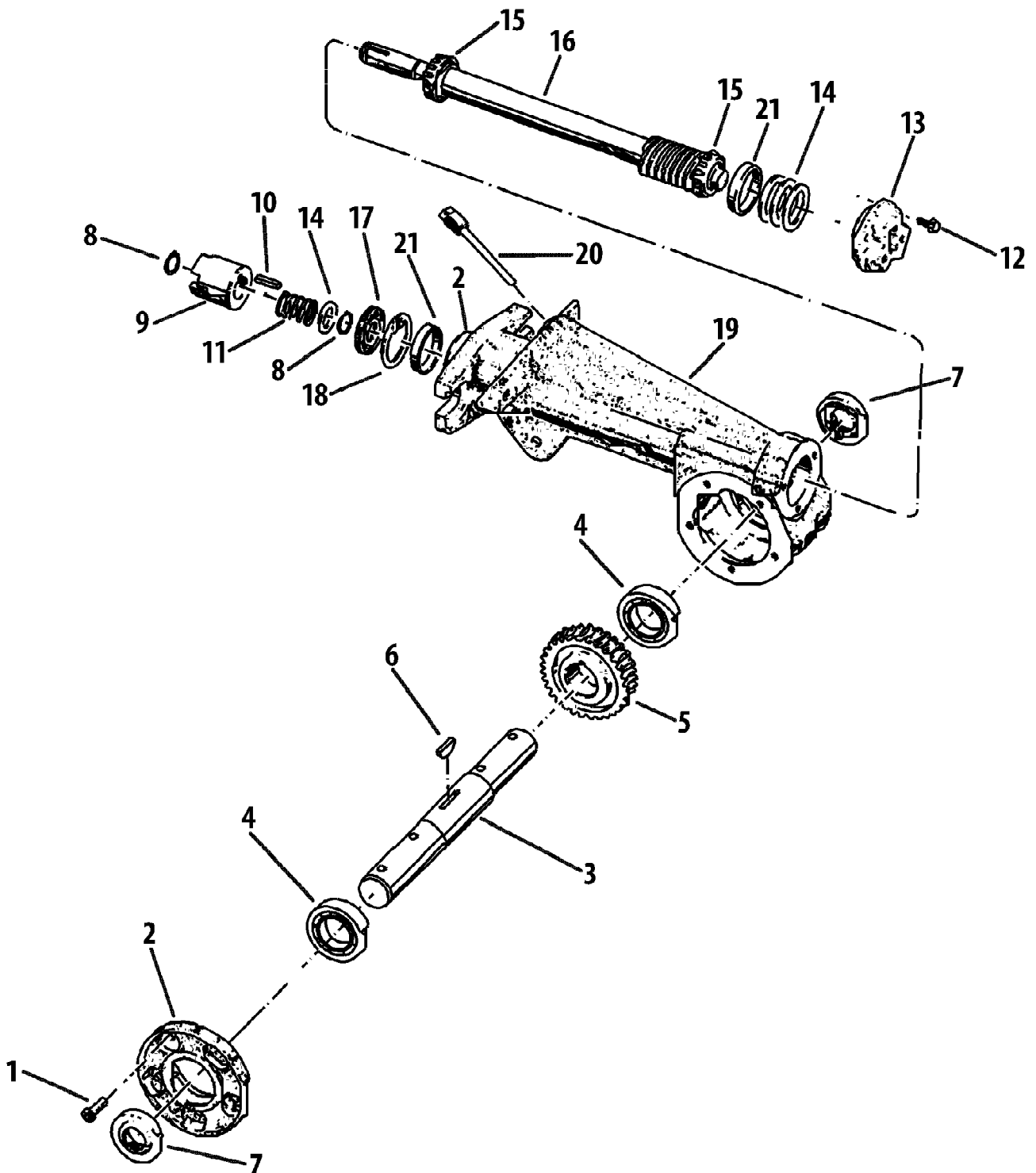
| Ref # | Part Number | Qty | S/P/F | Description |
|-------|-------------|-----|-------|---------------------------------------|
| 1 | 777I20358 | 1 | | LABEL-PLACE HAND HERE |
| 2 | 777I22627 | 1 | | LABEL:TILLER SHIELD 680 |
| 3 | 777S30648 | 1 | /P | LABEL-ENGINE IGNIT Big Red Horse Only |
| 4 | 777I20944 | 1 | /P | LABEL-FORWARD INTR |
| 5 | 777I20945 | 1 | /P | LABEL-TINES/PTO CLUTCH |
| 6 | 777S32664 | 1 | | LABEL:TILLER/680 TINE SHIELD |
| 7 | 777I20946 | 1 | | LABEL-FORWARD INTRLK |
| 8 | 777D11174 | 1 | | LABEL-TILLER HANDLE BIG RED |
| 9 | 777D11025 | 1 | | LABEL-TILLER HANDLE PANEL:HORSE |



21AE682L766 305cc Roto-Tiller (2008)
Quick Reference

Page 20 of 25

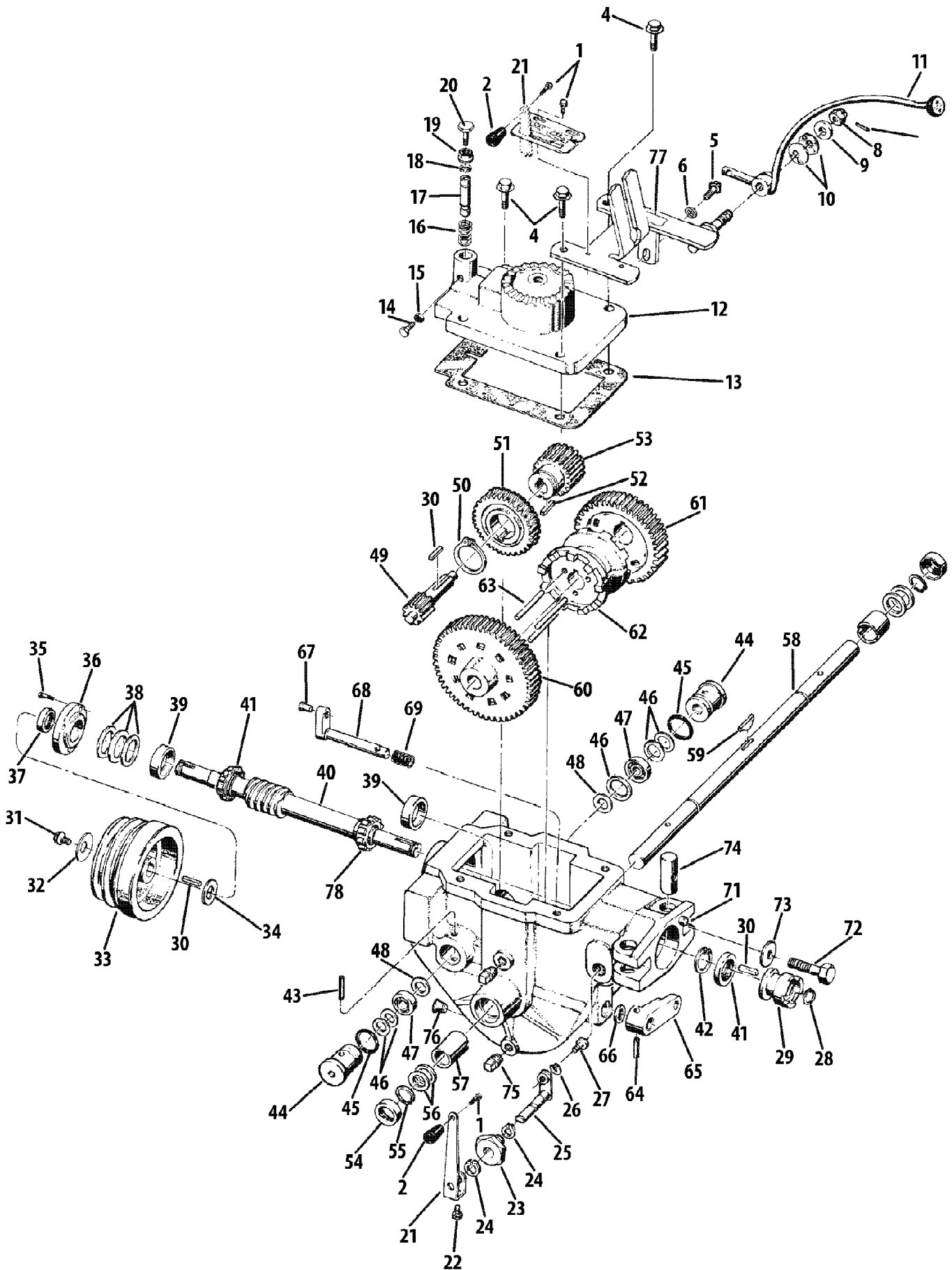
| Ref # | Part Number | Qty | S/P/F | Description |
|-------|-------------|-----|-------|--------------------------------|
| | 759-3336 | 1 | /P | Spark Plug |
| | BS-491435S | 1 | /P | Pre Filter |
| | BS-491588S | 1 | /P | Air Filter |
| | BS-298090S | 1 | /P | Fuel Filter Big Red Horse Only |
| | GW-9245 | 1 | /P | Drive Belt (FWD) |
| | N/A | 1 | | Drive Belt (REV) |
| | 756-04171 | 1 | /P | Reverse Disc |
| | N/A | 1 | | Idler Pulley |
| | 1909286 | 1 | S | Throttle Control & Cable |
| | 742-04118 | 1 | S | Tines (LH) |
| | 742-04119 | 1 | S | Tines (RH) |
| | 634-04230 | 1 | | Rim |
| | 734-0808 | 1 | S | Tire |
| | 634-04231 | 1 | S | Wheel Assembly |
| | 720-04083 | 1 | /P | Foam Grip |
| | GW-2595 | 1 | S | Shift Control Knob |
| | GW-9119 | 1 | /P | Handle Knob |



21AE682L766 305cc Roto-Tiller (2008)
Tiller Shaft Assembly

Page 22 of 25

| Ref # | Part Number | Qty | S/P/F | Description |
|-------|-------------|-----|-------|--|
| 1 | 1915068 | 1 | /P | Self-Sealing Screw, 1/4"-20 x 5/8 " |
| 2 | GW-20873 | 1 | /P | Tiller Housing Cover |
| 3 | 711-04082 | 1 | S | Tine Shaft |
| 4 | 741-3037 | 1 | S | Ball Bearing |
| 5 | 1901976 | 1 | /P | Worm Gear |
| 6 | GW-1104 | 1 | /P | Woodruff Key |
| 7 | 721-04035 | 1 | S | Oil Seal |
| 8 | 716-0101 | 1 | S | External Retaining Ring |
| 9 | 1909138 | 1 | S | Dog Clutch |
| 10 | GW-9301 | 1 | S | Key, 3/16" x 1" |
| 11 | GW-2127 | 1 | /P | Spring |
| 12 | 1915069 | 1 | /P | Self-Sealing Screw, 1/4"-20 x 7/8" |
| 13 | GW-1115 | 1 | S | Cap |
| 14 | 736-04305 | 1 | /P | Flat Washer, 1.75 x 1.5 x .062 |
| 14 | 736-04306 | 1 | /P | Flat Washer, 1.75 x 1.5 x .005 Not Shown |
| 14 | 736-04307 | 1 | /P | Flat Washer, 1.75 x 1.5 x .03 Not Shown |
| 14 | 736-04308 | 1 | /P | Flat Washer, 1.75 x 1.5 x .01 Not Shown |
| 15 | 741-04299 | 1 | S | Cup Bearing |
| 16 | GW-2653 | 1 | S | Shaft |
| 17 | 721-04030 | 1 | S | Oil Seal |
| 18 | 716-04102 | 1 | /P | Retaining Ring |
| 19 | 1901971 | 1 | S | Attachment Housing |
| 20 | 1909157 | 1 | | Oil Dipstick |
| 21 | 741-04298 | 1 | S | Cone Bearing |



21AE682L766 305cc Roto-Tiller (2008)
Wheel Shaft Assembly

Page 24 of 25

| Ref # | Part Number | Qty | S/P/F | Description |
|-------|-------------|-----|-------|--|
| 1 | 1186299 | 1 | S | Hex Bolt, #10-32 x 3/8 " |
| 2 | GW-9463 | 1 | /P | Knob |
| 3 | GW-2124 | 1 | S | Plate |
| 4 | 1186349 | 1 | /P | Hex Flange Bolt, 3/8-16 x 1-1/2" |
| 5 | 1186329 | 1 | S | Hex Flange Bolt, 5/16-18 x 3/4" |
| 6 | 736-0275 | 1 | S | Flat Washer, 5/16" |
| 7 | GW-9362 | 1 | /P | Spring Pin, 1/8 " |
| 8 | 712-3012 | 1 | S | Hex Nut, 1/2-20 |
| 8 | 736-0326 | 1 | S | Flat Washer, .510 x 1.0 x .125 Not shown |
| 9 | GW-9934 | 1 | /P | Shoulder Washer, 1/2" |
| 10 | GW-9932 | 1 | /P | Disc Spring Washer |
| 11 | GW-2178 | 1 | S | Wheel Speed Shift Lever |
| 12 | GW-2523 | 1 | S | Power Unit Transmission Cover |
| 13 | GW-1123 | 1 | /P | Transmission Cover Gasket |
| 14 | 710-0376 | 1 | /P | Hex Bolt, 5/16-18 x 1" |
| 15 | 712-3010 | 1 | S | Hex Nut, 5/16"-18 |
| 16 | 1901439 | 1 | /P | Plunger Spring |
| 17 | GW-1035-1 | 1 | S | Plunger |
| 18 | 1901440 | 1 | /P | Clip Ring |
| 19 | 712-04065 | 1 | /P | Flange Lock Nut |
| 20 | 1902004 | 1 | /P | Hex Bolt, 3/8 -16x1-1/2" |
| 21 | 786-04002 | 1 | /P | Tines/PTO Clutch Lever |
| 22 | 710-3013 | 1 | /P | Hex Bolt, 1/4-20 x 1/2" |
| 23 | 741-04008 | 1 | /P | Tines/PTO Clutch Bushing |
| 24 | GW-9516 | 1 | /P | External Retaining Ring |
| 25 | GW-2461 | 1 | /P | Tines/PTO Clutch Shaft |
| 26 | GW-9911 | 1 | /P | Hi-Collar Lockwasher, 1/4" |
| 27 | GW-9672 | 1 | S | Socket Head Screw, 1/4-20 x 3/8" |
| 28 | 716-0101 | 1 | S | External Retaining Ring |
| 29 | 1909139 | 1 | S | Dog Clutch |
| 30 | GW-9301 | 1 | S | Key, 3/16 x 1" |
| 31 | 1100004 | 1 | S | Hex Bolt, 5/16-24 x 3/4" |
| 32 | GW-9944 | 1 | S | Spring Washer, .827 x .331 x .098 |
| 33 | GW-2107 | 1 | /P | Transmission Drive Pulley |
| 34 | GW-50027 | 1 | /P | Flat Washer, 1-1/4" |
| 35 | 710-04466 | 1 | S | Flange Nut, 1/4-20 x .75 |
| 36 | 718-04007 | 1 | /P | Front Bearing Cap |
| 37 | 721-04044 | 1 | S | Oil Seal |
| 38 | 736-04305 | 1 | /P | Flat Washer, 1.175 x 1.5 x .062 |
| 38 | 736-04306 | 1 | /P | Flat Washer, 1.175 x 1.5 x .005 |
| 38 | 736-04307 | 1 | /P | Flat Washer, 1.175 x 1.5 x .03 |
| 38 | 736-04308 | 1 | /P | Flat Washer, 1.175 x 1.5 x .01 |
| 39 | 741-04299 | 1 | S | Cup Bearing |
| 40 | GW-2655 | 1 | | Main Drive Shaft |
| 41 | 721-04030 | 1 | S | Oil Seal |
| 42 | 716-04102 | 1 | /P | Retaining Ring |
| 43 | 715-0121 | 1 | /P | Roll Pin (Spirol), 1/4 x 2 |
| 44 | 718-04006 | 1 | | Pinion Bearing |
| 45 | GW-9604 | 1 | /P | O-Ring |
| 46 | 736-04310 | 1 | | Flat Washer, 1.234 x 1.015 x .062 |
| 46 | GW-1132-1 | 1 | /P | Flat Washer, 1.234 x 1.015 x .033 |
| 46 | GW-1132-3 | 1 | /P | Flat Washer, 1.234 x 1.015 x .01 |
| 47 | GW-9404 | 1 | /P | Pinion Shaft |

21AE682L766 305cc Roto-Tiller (2008)
Wheel Shaft Assembly

Page 25 of 25

| Ref # | Part Number | Qty | S/P/F | Description |
|-------|-------------|-----|-------|-----------------------------------|
| 48 | GW-1126 | 1 | /P | Washer |
| 49 | GW-1222 | 1 | /P | Pinion Stem |
| 50 | GW-9502 | 1 | /P | External Retaining Ring |
| 51 | GW-2656 | 1 | /P | Worm Gear |
| 52 | GW-9300 | 1 | /P | Key, 3/16" x 5/8 " |
| 53 | GW-1233 | 1 | /P | Fast Speed Pinion Gear |
| 54 | 721-04031 | 1 | S | Oil Seal |
| 55 | 716-04104 | 1 | /P | External Retaining Ring |
| 56 | 736-04257 | 1 | /P | Flat Washer, 1.375 x 1.015 x .005 |
| 56 | 736-04258 | 1 | /P | Flat Washer, 1.375 x 1.015 x .01 |
| 56 | 736-04259 | 1 | | Flat Washer, 1.375 x 1.015 x .015 |
| 56 | 736-04260 | 1 | | Flat Washer, 1.375 x 1.015 x .03 |
| 56 | 736-04309 | 1 | /P | Flat Washer, 1.375 x 1.015 x .062 |
| 57 | 741-04300 | 1 | S | Bushing, 1.25 x 1.005 x 1.5 |
| 58 | 611-04077 | 1 | S | Wheel Shaft |
| 59 | 714-04014 | 1 | /P | Hi-Pro Key, .250 x 1.8125 |
| 60 | GW-1223 | 1 | /P | Slow Speed Gear |
| 61 | GW-1232 | 1 | /P | Fast Gear Speed |
| 62 | GW-1237 | 1 | /P | Dog Clutch |
| 63 | GW-1112 | 1 | /P | Clutch Guide Pin, 1/4" |
| 64 | 1911372 | 1 | /P | Roll Pin, 3/16" x 1-1/4" |
| 65 | 619-04000 | 1 | S | Wheel Speed Shifting Lever |
| 66 | 721-04034 | 1 | S | Oil Seal |
| 67 | GW-1442 | 1 | S | Wheel Speed Shifting Pin |
| 68 | 611-04003 | 1 | /P | Wheel Speed Shifting Shaft |
| 69 | GW-1441 | 1 | /P | Spring |
| 70 | GW-2109 | 1 | S | Transmission Housing |
| 71 | GW-9359 | 1 | /P | Alignment Pin |
| 72 | 1100067 | 1 | /P | Hex Bolt, 1/2-13 x 2" |
| 73 | GW-9928 | 1 | /P | Disc Spring Washer |
| 74 | GW-2126 | 1 | | Post |
| 75 | 1105620 | 1 | /P | Pipe Plug, 1/4" |
| 76 | GW-9122 | 1 | /P | Plug-Red Plastic |
| 77 | GW-2149 | 1 | S | Clutch Bracket |
| 78 | 741-04298 | 1 | S | Cone Bearing |