

**SERVICE
BULLETIN
115**

INFORMATIONAL

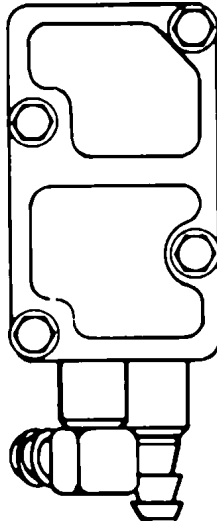


ISSUED: September 1989
REVISED: June 1995
SUBJECT: New Walbro Fuel Pump

Walbro has discontinued their previous line of fuel pumps. Walbro has developed an improved design to replace all of the previous fuel pumps. The new style of fuel pump will be used in production.

PART NUMBER

32959
33100
33715
33981
34812
35018
34392A
35468

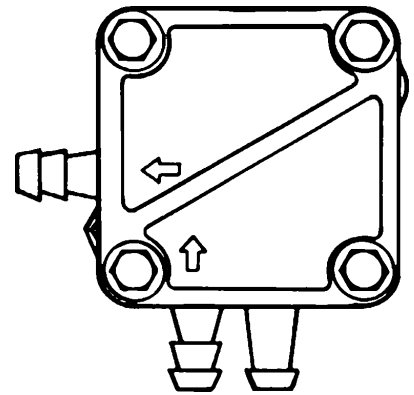


34385

PREVIOUS STYLE

KIT NUMBER

35800



35813

NEW STYLE

The Pulse Fuel Pump Assembly Kit Part No. 35800 (Kit Part No. 35813 for Part No. 34385 Fuel Pump) supplies all the parts needed to convert the engine from the previous style fuel pump to the new style pump. An instruction sheet explaining the proper installation will be included in each kit.

NOTE: REPAIR KITS STILL AVAILABLE

If replacement of old style fuel pump is not necessary, a repair kit Part No. 33010 is still available for repair of all old style fuel pumps.