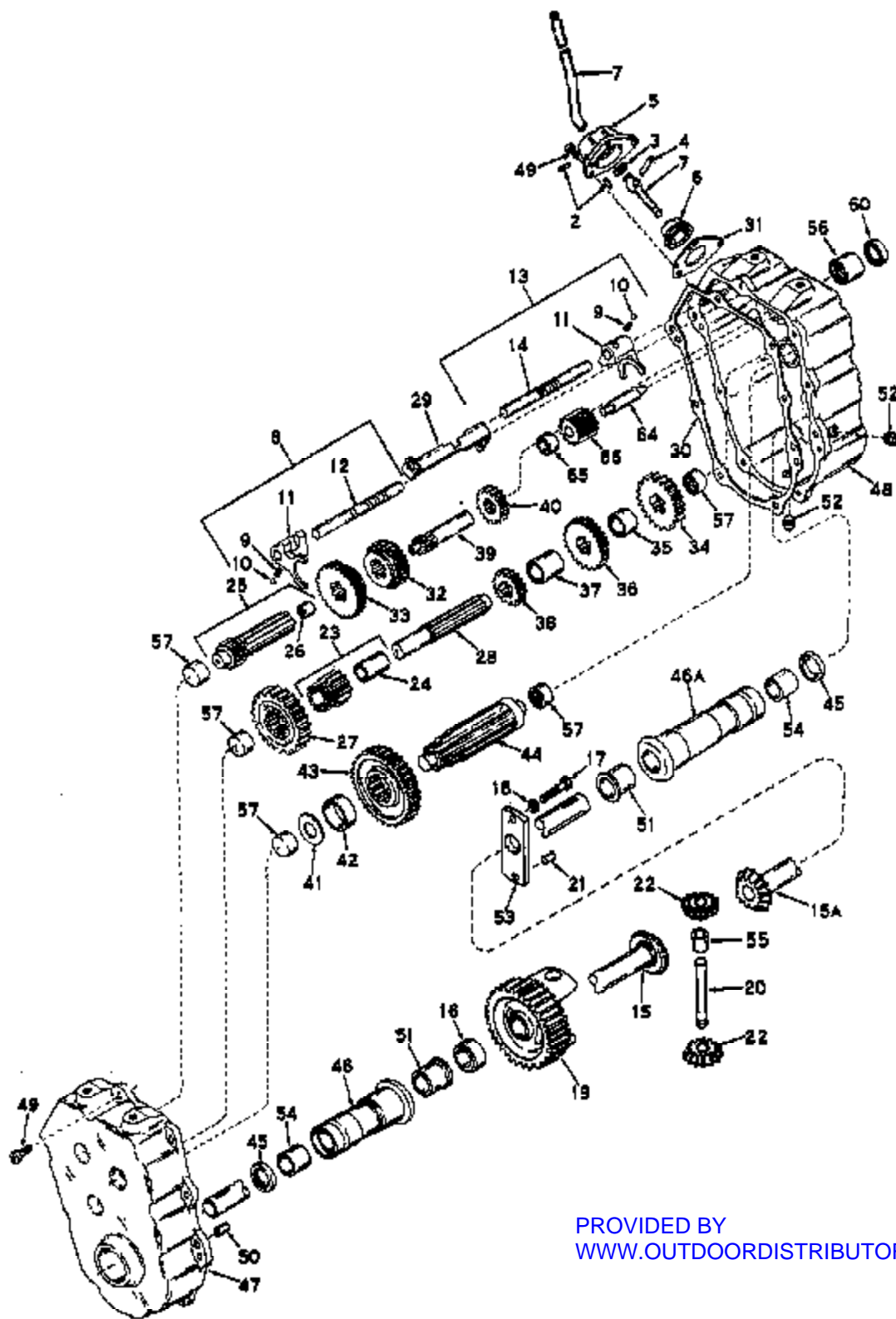


ILLUSTRATION SHOWS TYPICAL PARTS ONLY. ORDER BY PART NUMBER. PARTS NOT LISTED ARE SUPPLIED BY OEM.



PROVIDED BY
WWW.OUTDOORDISTRIBUTORS.COM

Ref #	Part Number	Qty	Description
	2		Pin, Roll
	3		Ring, Quad
	4		Pin, Drive
	5		Housing, Shift lever
	6		Keeper, Shift lever
	7		Lever, Shift
	8		Rod Assy., Shift (Incl. 9 thru 12)
	9		Spring,
	10		Ball, Steel
	11		Fork, Shifter
	12		Rod, Shifter
	13		Rod Assy., Shift (Incl. 9, 10, 11 & 1 4)
	14		Rod, Shifter
15A	784025		Axle Assy., R.H. (10.750 long)
	15		Axle Assy., L.H. (10.00 long)
	16		Spacer
	17		Screw, 5/16-24 x 7/8"
	18		Lockwasher, 5/16"
	19		Gear, Differential
	20		Pin, Drive
	21		Pin, Roll
	22		Pinion, Bevel
	23		Pinion & Bearing Assy. (Incl. 24)
	24		Bearing
	25		Shifter Shaft & Bearing (Incl. 26)
	26		Bearing
	27		Gear, Idler
	28		Shaft, Idler (5.750 long)
	29		Stop, Shifter
	30		Gasket, Case to cover
	31		Gasket, Shift lever housing
	32		Gear, Shifting
	33		Gear .Shifting
	34		Gear, Spur (26 teeth)
	35		Spacer (.885 ID x 1.125 OD x .795 lon g)
	36		Gear, Spur (22 teeth)
	37		Spacer (.885 ID x 1.125 OD x 1.223 lo ng)
	38		Gear, Spur (16 teeth)
	39		Shaft, Input (3.554 long)
	40		Spur Gear, Input shaft
	41		Washer
	42		Spacer (1.312 ID x 1.437 OD x .620 lo ng)
	43		Gear, Output
	44		Pinion, Output
	45		Seal, Oil
46A	782021		Housing, R. H. Axle (6.625 long)
	46		Housing, L.H. Axle (4.656 long)
	47		Cover, Transaxle
	48		Case, Transaxle
	49		Screw, 1/4-20 x 3/4"
	50		Pin, Dowel
	51		Bushing
	52		Plug, Pipe
	53		Cap, Differential
	54		Bushing (.875 ID x 1.125 OD x 1.00 lo ng)
	55		Spacer, Pinjon & Axle (1.594 long)

Ref #	Part Number	Qty	Description
56	780011		Bearing (1.00 long)
57	780013		Bearing (.625 long, closed end)
60	788009		Seal, Oil
64	776008		Shaft, Reverse idler
65	786008		Spacer, Reverse idler
66	778016		Idler, Reverse