

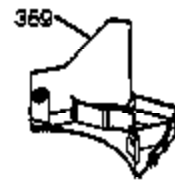
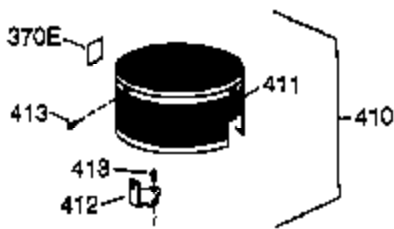
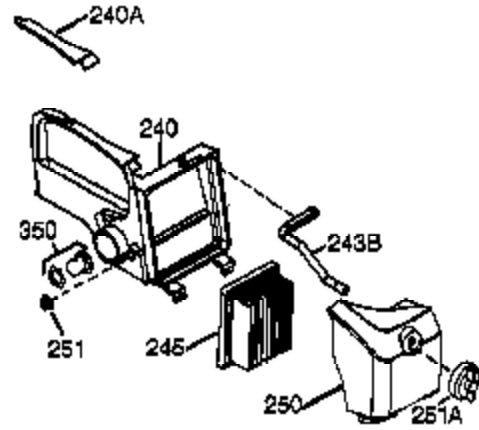
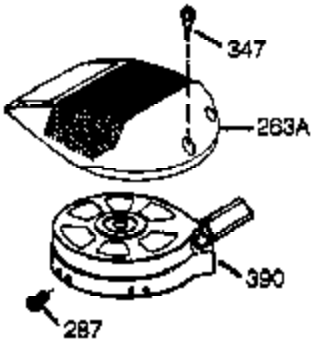
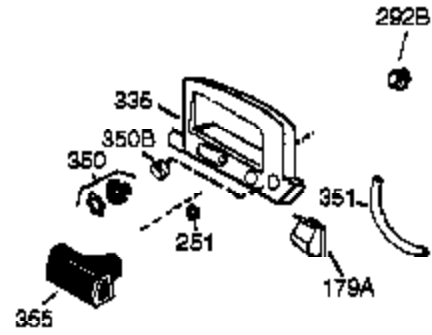
## Engine Parts List #1

| Ref # | Part Number | Qty | Description                              |
|-------|-------------|-----|--|
|       | 1 36177     | 1   | Cylinder (Incl. 2,10,12,20 & 125)        |
|       | 2 27652     | 2   | Dowel Pin                                |
|       | 6 36059     | 1   | Breather Element                         |
|       | 9 590568    | 3   | Screw, 10-24 x 3/4"                      |
|       | 10 36002    | 1   | Breather Valve Body                      |
|       | 11 36003A   | 1   | Check Valve                              |
|       | 12C 36005A  | 1   | * Breather Cover & Gasket                |
|       | 12 32447    | 1   | Breather Tube                            |
|       | 14 28277    | 1   | Flat Washer                              |
|       | 15 36006    | 1   | Governor Rod (Machined)                  |
|       | 16 36008    | 1   | Governor Lever                           |
|       | 17 31335    | 1   | Governor Lever Clamp                     |
|       | 18 651018   | 1   | Screw, Torx T-15, 8-32 x 19/64"          |
|       | 19 36103    | 1   | Governor Spring                          |
|       | 20 36010    | 1   | Oil Seal                                 |
|       | 25 37193    | 1   | Blower Housing Baffle Ass'y.(Incl. 19 5) |
|       | 26 650802   | 3   | Screw, 1/4-20 x 5/8"                     |
|       | 30 36178    | 1   | Crankshaft                               |
|       | 40 40004    | 1   | Piston,Pin,Ring Set (Std.)               |
|       | 40 40005    | 1   | Piston,Pin,Ring Set (.010 OS)            |
|       | 41 36070    | 1   | Piston & Pin Ass'y.(Std.) (Incl. 43)     |
|       | 41 36071    | 1   | Piston & Pin Ass'y.(.010 OS)(Incl.43)    |
|       | 42 40006    | 1   | Ring Set (Std.)                          |
|       | 42 40007    | 1   | Ring Set (.010 OS)                       |
|       | 43 20381    | 2   | Piston Pin Retaining Ring                |
|       | 45 36023A   | 1   | Connecting Rod Ass'y. (Incl. 46)         |
|       | 46 32610A   | 2   | Connecting Rod Bolt                      |
|       | 48 36030    | 2   | Valve Lifter                             |
|       | 50 36031A   | 1   | Camshaft (MCR)                           |
|       | 52 29914    | 1   | Oil Pump Ass'y.                          |
|       | 69 36032A   | 1   | * Mounting Flange Gasket                 |
|       | 70 37271    | 1   | Mounting Flange (Incl. 72 thru 85)       |
|       | 72 36083    | 1   | Oil Drain Plug                           |
|       | 75 36010    | 1   | Oil Seal                                 |
|       | 80 30574A   | 1   | Governor Shaft                           |
|       | 81 30590A   | 1   | Washer                                   |
|       | 82 30591    | 1   | Governor Gear Ass'y. (Incl.81)           |
|       | 83 36057    | 1   | Governor Spool                           |
|       | 85 36034    | 1   | Idle Gear                                |
|       | 86 650924   | 7   | Screw, 1/4-20 x 1-9/16"                  |
|       | 89 611154   | 1   | Flywheel Key                             |
|       | 90 611155   | 1   | Flywheel                                 |
|       | 91 611156   | 1   | Flywheel Fan                             |
|       | 92 650815   | 1   | Belleville Washer                        |
|       | 93 650816   | 1   | Flywheel Nut                             |
|       | 100 34443B  | 1   | Solid State Ignition                     |
|       | 101 610118  | 1   | Spark Plug Cover                         |
|       | 103 651007  | 2   | Screw, Torx T-15, 10-24 x 15/16"         |
|       | 110 36054   | 1   | Ground Wire                              |
|       | 110A 36230  | 1   | Ground Wire                              |
|       | 119 36061   | 1   | * Cylinder Head Gasket                   |
|       | 120 36187   | 1   | Cylinder Head                            |
|       | 125 36471   | 1   | Exhaust Valve (Std.) (Incl. 151)         |
|       | 125 36472   | 1   | Exhaust Valve (1/32" OS)                 |
|       | 126 29314C  | 1   | Intake Valve (Std.) (Incl. 151)          |
|       | 126 29315C  | 1   | Intake Valve (1/32" OS) (Incl. 151)      |
|       | 130 6021A   | 7   | Screw, 5/16-18 x 1-1/2"                  |
|       | 135 35395   | 1   | Resistor Spark Plug (RJ19LM)             |

## Engine Parts List #1

| Ref # | Part Number | Qty | Description                           |
|-------|-------------|-----|---------------------------------------|
| 150   | 31672       | 2   | Valve Spring                          |
| 151A  | 40016A      | 1   | Intake Valve Seal                     |
| 151   | 31673       | 2   | Lower Valve Spring Cap                |
| 169   | 27234A      | 1   | * Valve Spring Box Gasket             |
| 172   | 32755       | 1   | Valve Spring Box Cover                |
| 174   | 30200       | 2   | Screw, 10-24 x 1/2"                   |
| 177   | 650925A     | 2   | Carburetor Mounting Stud              |
| 184   | 36183       | 2   | Carburetor Gasket                     |
| 186   | 36009       | 1   | Governor Link                         |
| 187A  | 36195       | 1   | Air Baffle                            |
| 190   | 36013       | 1   | Brake Lever                           |
| 191A  | 36012       | 1   | Brake Control Lever                   |
| 192   | 36016       | 1   | Brake Control Link                    |
| 193   | 36015       | 1   | Brake Spring                          |
| 194   | 36014       | 1   | Retaining Ring                        |
| 195   | 610973      | 1   | Terminal                              |
| 198   | 36017       | 1   | Brake Control Spring                  |
| 199   | 36018       | 1   | Brake Control Lever Bushing           |
| 202   | 36482       | 1   | Compression Spring                    |
| 203   | 31342       | 1   | Compression Spring                    |
| 204   | 651029      | 1   | Screw, Torx T-10, 5-40 x 7/16"        |
| 205   | 651030      | 1   | Screw, Torx T-10, 6-32 x 41/64"       |
| 206   | 610973      | 1   | Terminal                              |
| 210   | 27793       | 1   | Conduit Clip                          |
| 211   | 28942       | 2   | Screw, 10-32 x 3/8"                   |
| 239   | 36048       | 1   | * Carburetor to Air Cleaner Gasket    |
| 240   | 36190       | 1   | Air Cleaner Body (Incl.239,299 & 350) |
| 245   | 36046       | 1   | Air Cleaner Filter                    |
| 245A  | 37144       | 1   | Air Cleaner Filter                    |
| 250   | 36191       | 1   | Air Cleaner Cover                     |
| 251   | 650928      | 2   | Lock Nut, 1/4-20                      |
| 255   | 36138       | 1   | Control Plate                         |
| 256   | 650983      | 2   | Screw, 8-32 x 1/2"                    |
| 260   | 37194       | 1   | Blower Housing                        |
| 262   | 650737      | 5   | Screw, 1/4-20 x 1-1/2"                |
| 275   | 36107       | 1   | Muffler                               |
| 276   | 36043       | 1   | Locking Plate                         |
| 277   | 650927      | 2   | Screw, 5/16-18 x 2-11/32"             |
| 279   | 650956      | 3   | Screw, Torx T-25, 12-24 x 49/64"      |
| 280   | 36090       | 1   | Heat Shield (Incl. 279)               |
| 285   | 34449A      | 1   | Starter Cup                           |
| 287   | 650926      | 4   | Screw, 8-32 x 21/64"                  |
| 290   | 34357       | 1   | Fuel Line                             |
| 292   | 26460       | 2   | Fuel Line Clamp                       |
| 300   | 36130       | 1   | Fuel Tank (Incl. 301)                 |
| 301   | 36246       | 1   | Fuel Cap                              |
| 305   | 36063       | 1   | Oil Fill Tube                         |
| 307   | 35499       | 1   | "O" Ring                              |
| 308   | 36040       | 1   | Fill Tube Clip                        |
| 310   | 36064       | 1   | Oil Dipstick                          |
| 324   | 33177       | 1   | Terminal                              |
| 346A  | 28763       | 2   | Screw, 10-32 x 35/64"                 |
| 350   | 36045A      | 1   | Primer                                |
| 370A  | 36261       | 1   | Lubrication Decal                     |
| 370C  | 37199       | 1   | Primer Decal                          |
| 370K  | 36695       | 1   | Starter Decal                         |
| 380   | 640020A     | 1   | Carburetor (Incl. 187A & 239)         |

| Ref # | Part Number | Qty | Description   |
|-------|-------------|-----|---|
| 390   | 590739      | 1   | Rewind Starter (NOTE: This engine could have been built with 590702 starter).   |
| 400   | 36062D      | 1   | * Gasket Set (Incl. items marked PK in notes). Incl. part #'s 27234A (1), 28833 (1), 36005A (1), 36032A (1), 36061 (1), 37136 (1), 696088 (1)   |
| 416   | 36085       | 1   | Spark Arrestor Kit (Incl. 417)(Optional)  |
| 417   | 650821      | 1   | Screw, 10-32 x 1/2" (Optional)  |
| 420   | 730225      | 1   | 4 Cycle Oil, SAE 30 (Quart)   |
| 514   | 36114       | 1   | Brake Lock Out Device WARNING! Do not use the brake lock out device on engines required to meet CPSC safety standard for walk behind power lawnmowers, Title 16, Part 1205 of the code of Federal Regulations or you will be in violation of the law. |



## Engine Parts List #2

| Ref # | Part Number | Qty | Description   |
|-------|-------------|-----|---|
| 151A  | 40016A      | 1   | Intake Valve Seal   |
| 206   | 610973      | 1   | Terminal  |
| 240   | 36190       | 1   | Air Cleaner Body (Incl.239,299 & 350)   |
| 240A  | 37195       | 1   | Air Cleaner Body Extension  |
| 243B  | 651041      | 1   | Stud  |
| 245   | 36046       | 1   | Air Cleaner Filter  |
| 250   | 36191       | 1   | Air Cleaner Cover   |
| 251   | 650928      | 2   | Lock Nut, 1/4-20  |
| 251A  | 650933      | 1   | Wing Nut  |
| 263A  | 36133       | 1   | Starter Grill   |
| 287   | 650926      | 4   | Screw, 8-32 x 21/64"  |
| 350   | 36045A      | 1   | Primer  |
| 390   | 590739      | 1   | Rewind Starter (NOTE: This engine could have been built with 590702 starter). |