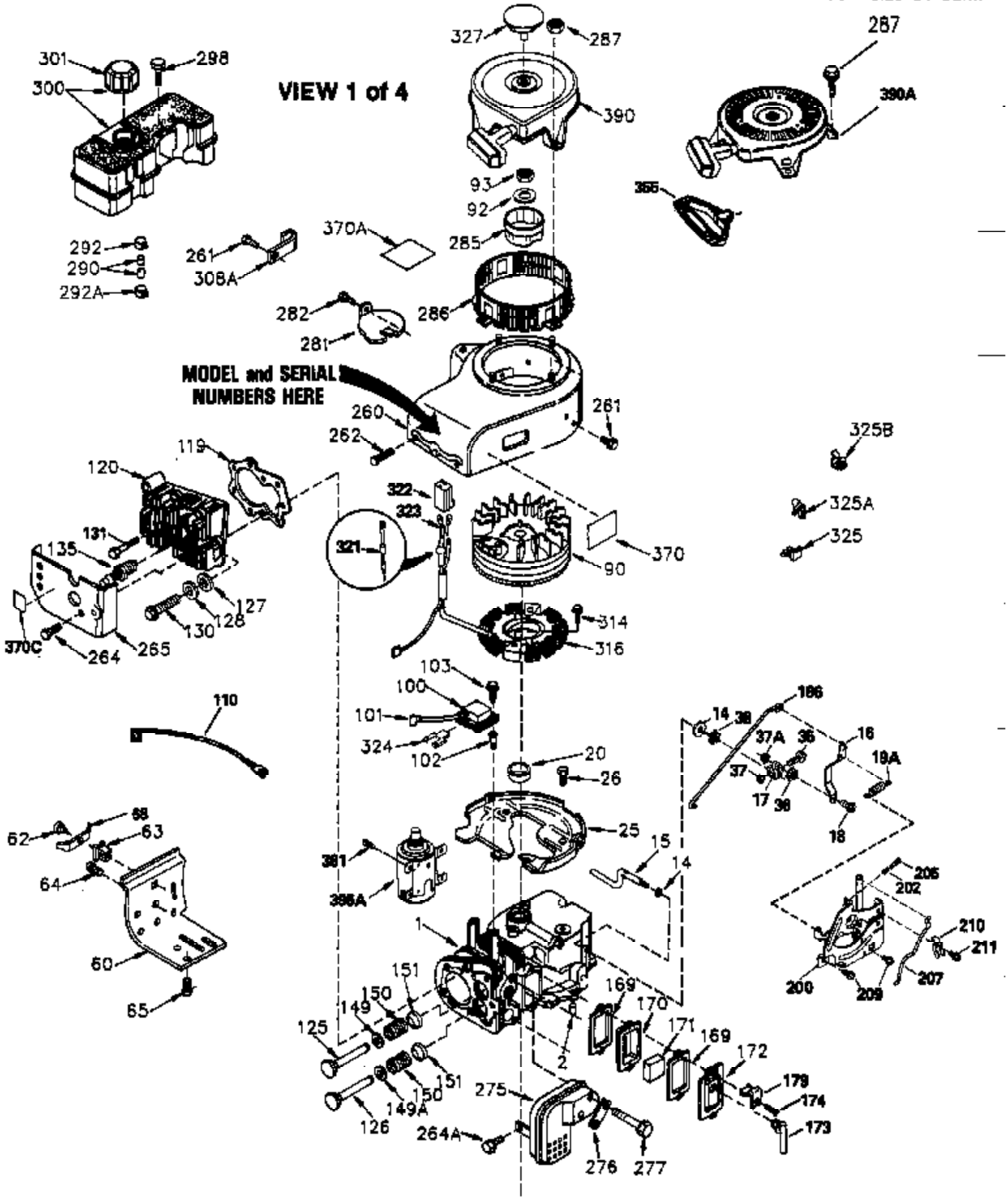


ILLUSTRATION SHOWS TYPICAL PARTS ONLY. ORDER BY PART NUMBER. PARTS NOT LISTED ARE SUPPLIED BY OEM.



Engine Parts List #1

| Ref # | Part Number | Qty | Description |
|-------|-------------|-----|--|
| | 1 35421 | | Cylinder (Incl. 2 & 20) (3-5/16" Bore) |
| | 2 27652 | | Dowel Pin |
| | 14 28277 | | Washer |
| | 15 35082 | | Governor Rod |
| | 16 32651 | | Governor Lever |
| | 17 31335 | | Governor Lever Clamp |
| | 18 650548 | | Screw, 8-32 x 5/16" |
| | 19A 35203 | | Extension Spring |
| | 20 35319 | | Oil Seal |
| | 26 650561 | | Screw, 1/4-20 x 5/8" |
| | 51 35315A | | Counterbalance Weight |
| | 60 33273A | | Blower Housing Extension |
| | 64 30063 | | Screw, Torx T-30, 1/4-20 x 1/2" |
| | 65 650128 | | Screw, 10-24 x 1/2" |
| | 90 611093 | | Flywheel (3 amp w/ring gear) |
| | 92 650880 | | Lock Washer |
| | 93 650881 | | Flywheel Nut, 5/8-18 |
| | 100 35135 | | Solid State Ignition |
| | 101 610118 | | Spark Plug Cover (use as required) |
| | 102 650872 | | Solid State Mounting Stud |
| | 103 650814 | | Screw, Torx T-15, 10-24 x 1" |
| | 119 34923A | | * Cylinder Head Gasket |
| | 120 34030A | | Cylinder Head |
| | 125 27878A | | Exhaust Valve (Std.) (Incl. 151) |
| | 126 34035 | | Intake Valve (Std.) (Incl. 151) |
| | 127 650691 | | Washer (Do not use with 6021A screw) |
| | 128 650690 | | Belleville Washer |
| | 130 650694A | | Screw, 5/16-18 x 2" |
| | 131 6021A | | Screw, 5/16-18 x 1-1/2" (Do not use w /650691) |
| | 135 33636 | | Resistor Spark Plug (RJ17LM) |
| | 149 27882 | | Valve Spring Cap (Exhaust) |
| | 150 27881 | | Valve Spring |
| | 151 32581 | | Valve Spring Keeper |
| | 169 27896A | | * Valve Cover Gasket |
| | 170 28423 | | Breather Body |
| | 171 28424 | | Breather Element |
| | 172 28425 | | Valve Cover |
| | 173 35350 | | Breather Tube |
| | 174 650128 | | Screw, 10-24 x 1/2" |
| | 186 33860 | | Governor Link |
| | 200 35201 | | Control Bracket |
| | 202 33802 | | Compression Spring |
| | 205 650777 | | Screw, 6-32 x 21/32" |
| | 209 30200 | | Screw, 10-24 x 9/16" |
| | 210 27793 | | Conduit Clip |
| | 211 28942 | | Screw, 10-32 x 3/8" |
| | 238 650834 | | Screw, 10-32 x 1-17/32" |
| | 245A 35404 | | Air Cleaner Filter |
| | 260 35795A | | Blower Housing (for electric starter) NOTE: Replacement hardware may differ when servicing starter assy. or blower housing. Refer to Service Bulletin 508. |
| | 261 650788 | | Screw, 5/16-18 x 3/4" |
| | 262 29747B | | Screw, Torx T-40, 5/16-24 x 21/32" |
| | 264 650802 | | Screw, 1/4-20 x 5/8" |
| | 264A 650738 | | Screw, 1/4-20 x 5/8" |
| | 265 33272B | | Cylinder Head Cover |
| | 281 33013 | | Starter Bubble Cover |

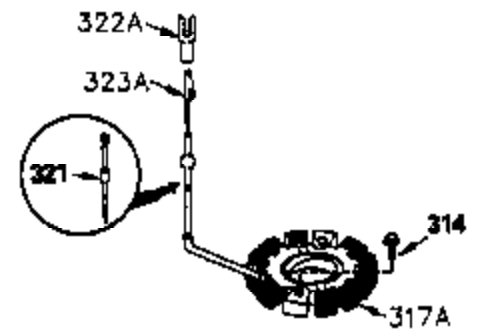
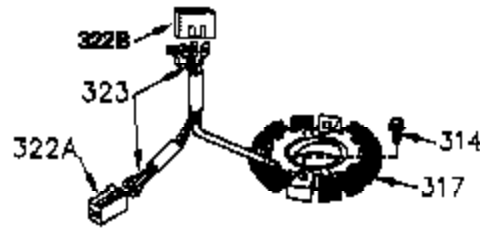
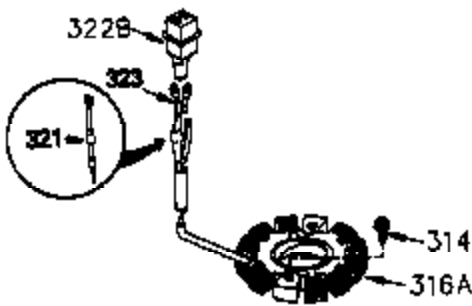
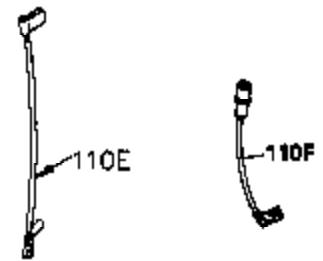
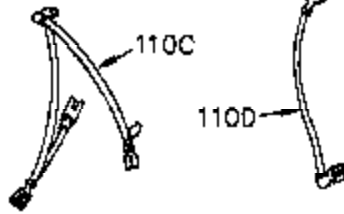
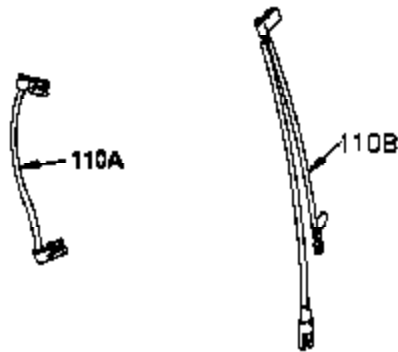
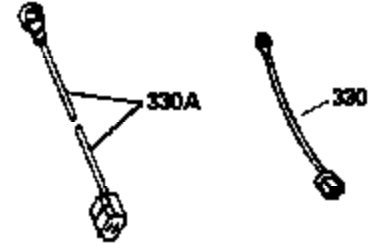
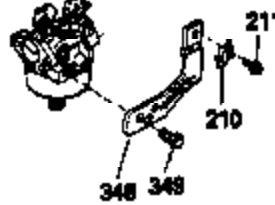
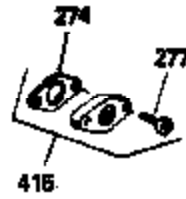
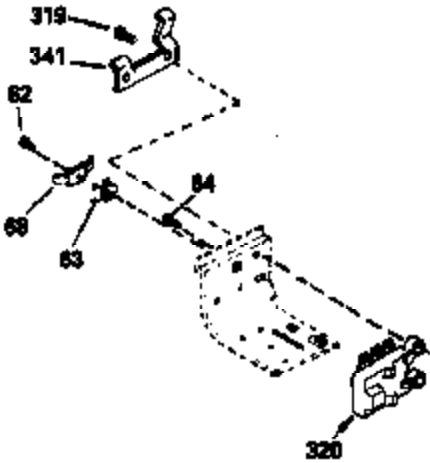
| Ref # | Part Number | Qty | Description |
|-------|-------------|-----|--|
| | 282 650760 | | Screw, 8-32 x 3/8" |
| | 286 35792 | | Debris Screen |
| | 287 650936 | | Screw, 10-32 x 13/32" |
| | 290 34357 | | Fuel Line (6-3/4" or 17cm) |
| | 292A 35864 | | Fuel Filter Clamp |
| | 298 28763 | | Screw, 10-32 x 35/64" |
| | 300 33583B | | Fuel Tank (Incl. 292, 298 & 301) |
| | 308A 33997 | | Fill Tube Clip |
| | 314 650873 | | Screw, 1/4-20 x 3/4" |
| | 315 611113 | | Alt. Coil (3 Amp DC) (Incl. 321, 322 & 323) |
| | 321 611161 | | Diode |
| | 322 610921 | | Connector Body |
| | 323 610922 | | Terminal |
| | 325B 27275 | | Wire Clip |
| | 325 29443 | | Wire Clip |
| | 327 35392 | | Starter Plug |
| | 370A 34686 | | Name Decal |
| | 370C 35274 | | Instruction Decal |
| | 370 34346 | | Instruction Decal |
| | 398 590685 | | Rewind Starter & Cup Ass'y. (This assembly replaces 590633 starter. This assembly consists of a 590671 rewind starter and a 35965A starter cup.) |

| Ref # | Part Number | Qty | Description |
|-------|-------------|-----|---|
| 30 | 35429A | | Crankshaft |
| 40 | 35776 | | Piston, Pin & Ring Set (Std.) (3-5/16 ") |
| 40 | 35777 | | Piston, Pin & Ring Set (.010" OS) |
| 40 | 35778 | | Piston, Pin & Ring Set (.020" OS) |
| 41 | 35773 | | Piston & Pin Ass'y. (Std.) (Incl. 43) |
| 41 | 35774 | | Piston & Pin Ass'y. (.010" OS) (Incl. 43) |
| 41 | 35775 | | Piston & Pin Ass'y. (.020" OS) (Incl. 43) |
| 42 | 35779 | | Ring Set (Std.) |
| 42 | 35780 | | Ring Set (.010" OS) |
| 42 | 35781 | | Ring Set (.020" OS) |
| 43 | 35772 | | Piston Pin Retaining Ring |
| 45 | 35330A | | Connecting Rod (Incl. 46 & 47) |
| 46 | 650908 | | Connecting Rod Bolt |
| 47 | 650882 | | Connecting Rod Bolt |
| 48 | 34034 | | Valve Lifter |
| 50 | 35381 | | Camshaft (MCR) |
| 51 | 35315A | | Counterbalance Weight |
| 52 | 31356 | | Oil Pump |
| 69 | 35317 | | * Mounting Flange Gasket |
| 70 | 35711A | | Mounting Flange (Incl. 72, 75 & 80) |
| 72 | 31927 | | Oil Drain Plug |
| 75 | 35319 | | Oil Seal |
| 80 | 35783 | | Governor Shaft |
| 81 | 30590A | | Washer |
| 82 | 35378 | | Governor Gear (Incl. 81) |
| 83 | 30588A | | Governor Spool |
| 84 | 29193 | | Retaining Ring |
| 86 | 650833 | | Screw, 1/4-20 x 1-3/16" |
| 88 | 31707A | | Spacer (Incl. 81) |
| 89 | 32589 | | Flywheel Key |
| 123 | 33261 | | Intake pipe Brace |
| 124 | 650738 | | Screw, 1/4-20 x 5/8" |
| 178 | 29752 | | Nut & Lock Washer, 1/4-28 |
| 182 | 30088A | | Screw, 1/4-28 x 1" |
| 184 | 33263 | | * Carburetor To Intake Pipe Gasket |
| 185 | 34926 | | Intake Pipe |
| 223 | 650378 | | Screw, Torx T-30, 5/16-18 x 1-1/8" |
| 224 | 27915A | | * Intake Pipe Gasket |
| 238 | 650834 | | Screw, 10-32 x 1-17/32" |
| 239 | 33629 | | * Carburetor Gasket |
| 240 | 35538B | | Air Cleaner Body (Incl. 239) |
| 245A | 35404 | | Air Cleaner Filter |
| 245 | 35403 | | Air Cleaner Filter (Incl. 251) |
| 250 | 35405 | | Air Cleaner Cover |
| 251 | 650886 | | Wing Nut, 1/4-20 |
| 251A | 650825 | | Nut & Lock Washer, 1/4-20 |
| 252 | 650887 | | Screw, 1/4-20 x 1" |
| 290 | 34357 | | Fuel Line (6-3/4" or 17cm) |
| 292A | 35864 | | Fuel Filter Clamp |
| 296 | 34279B | | Fuel Filter (Incl. 292) |
| 305 | 35574 | | Oil Tube |
| 307 | 35499 | | "O" Ring |
| 308 | 35437 | | Fill Tube Clip |
| 310 | 35576 | | Dipstick |
| 315 | 611113 | | Alt. Coil (3 Amp DC) (Incl. 321, 322 & 323) |
| 379 | 631021 | | Inlet Needle, Seat & Clip Ass'y. |

| Ref # | Part Number | Qty | Description |
|-------|-------------|-----|--|
| 380 | 632525 | | Carburetor (Incl. 184) (Refer to Division 5, Section A, page A4-2 for breakdown or Fiche 10B, Grid E-5) |
| 398 | 590685 | | Rewind Starter & Cup Ass'y. (This assembly replaces 590633 starter. This assembly consists of a 590671 rewind starter and a 35965A starter cup.) |
| 400 | 33279G | | * Gasket Set (Incl. items marked *) |
| 420 | 730225 | | SAE 30 4-Cycle Engine Oil (Quart) |

ILLUSTRATION SHOWS TYPICAL PARTS ONLY. ORDER BY PART NUMBER. PARTS NOT LISTED ARE SUPPLIED BY OEM.

VIEW 3 of 4

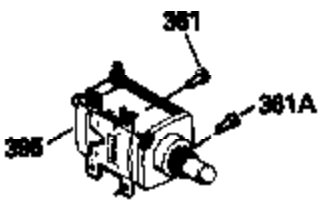
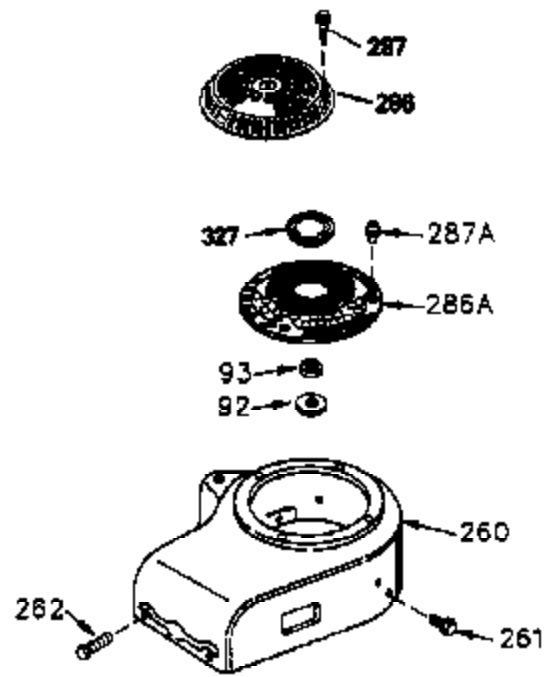
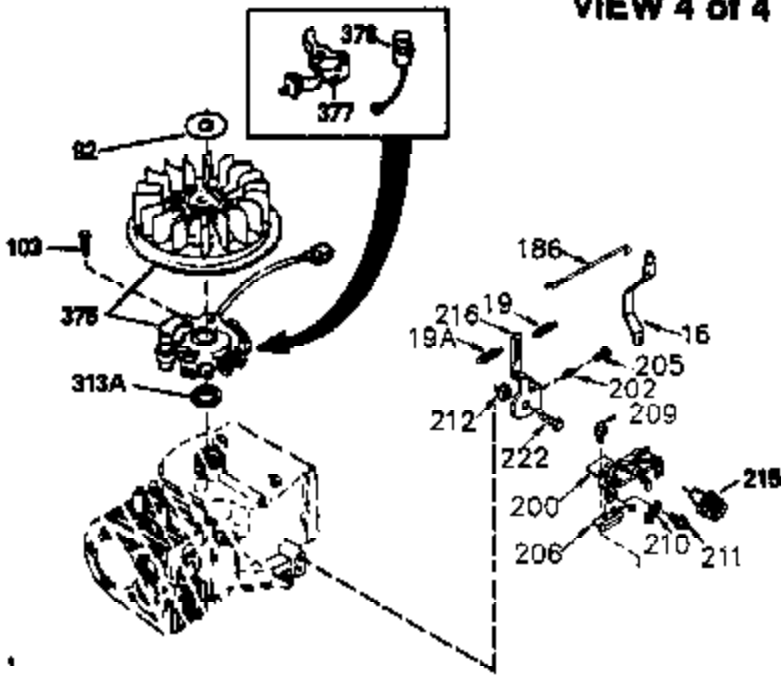


| Ref # | Part Number | Qty | Description |
|-------|-------------|-----|--|
| 25A | 35424 | | Blower Housing Baffle (Incl. 325) |
| 51 | 35315A | | Counterbalance Weight |
| 64 | 30063 | | Screw, Torx T-30, 1/4-20 x 1/2" |
| 210 | 27793 | | Conduit Clip |
| 211 | 28942 | | Screw, 10-32 x 3/8" |
| 238 | 650834 | | Screw, 10-32 x 1-17/32" |
| 245A | 35404 | | Air Cleaner Filter |
| 274 | 35865 | | Exhaust Gasket (use as required) |
| 314 | 650873 | | Screw, 1/4-20 x 3/4" |
| 315 | 611113 | | Alt. Coil (3 Amp DC) (Incl. 321, 322 & 323) |
| 321 | 611161 | | Diode |
| 323 | 610922 | | Terminal |
| 398 | 590685 | | Rewind Starter & Cup Ass'y. (This assembly replaces 590633 starter. This assembly consists of a 590671 rewind starter and a 35965A starter cup.) |
| 415 | 730130 | | Exh.Adapter Kit(Incl.274 & 277)(As Re q.) |

ILLUSTRATION SHOWS TYPICAL PARTS ONLY. ORDER BY PART NUMBER. PARTS NOT LISTED ARE SUPPLIED BY OEM.

STANDARD POINT IGNITION

VIEW 4 of 4



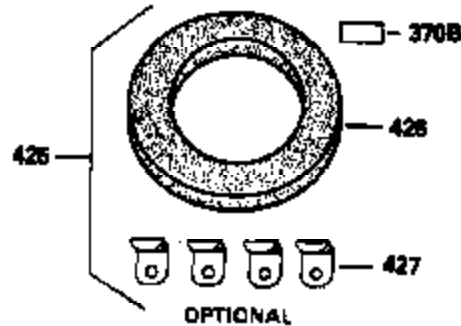
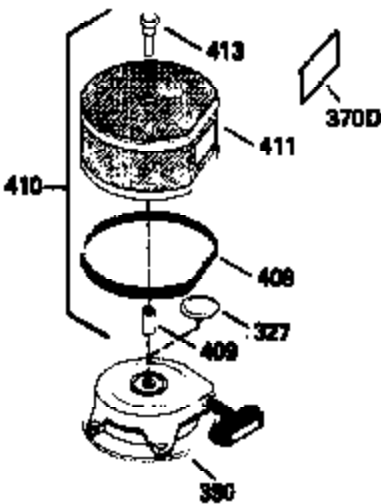
MUFFLER (QUIET)
 (OPTIONAL)



OPTIONAL SPARK
 ARRESTOR



DEBRIS SCREEN KIT
 (OPTIONAL)



| Ref # | Part Number | Qty | Description |
|-------|-------------|-----|--|
| 16 | 32651 | | Governor Lever |
| 19A | 35203 | | Extension Spring |
| 19 | 34043 | | Extension Spring |
| 51 | 35315A | | Counterbalance Weight |
| 92 | 650880 | | Lock Washer |
| 93 | 650881 | | Flywheel Nut, 5/8-18 |
| 103 | 650814 | | Screw, Torx T-15, 10-24 x 1" |
| 186 | 33860 | | Governor Link |
| 200 | 35201 | | Control Bracket |
| 202 | 33802 | | Compression Spring |
| 205 | 650777 | | Screw, 6-32 x 21/32" |
| 209 | 30200 | | Screw, 10-24 x 9/16" |
| 210 | 27793 | | Conduit Clip |
| 211 | 28942 | | Screw, 10-32 x 3/8" |
| 212 | 35550 | | Bushing |
| 216 | 35202A | | R.P.M. Adj.Lever (Incl.19,19A,212,222 ,239) |
| 222 | 30312 | | Screw, 10-32 x 1/2" |
| 238 | 650834 | | Screw, 10-32 x 1-17/32" |
| 245A | 35404 | | Air Cleaner Filter |
| 260 | 35795A | | Blower Housing (for electric starter) NOTE: Replacement hardware may differ when servicing starter assy. or blower housing. Refer to Service Bulletin 508. |
| 261 | 650788 | | Screw, 5/16-18 x 3/4" |
| 262 | 29747B | | Screw, Torx T-40, 5/16-24 x 21/32" |
| 275C | 35824 | | Muffler (quiet) (optional) |
| 286 | 35792 | | Debris Screen |
| 287 | 650936 | | Screw, 10-32 x 13/32" |
| 315 | 611113 | | Alt. Coil (3 Amp DC) (Incl. 321, 322 & 323) |
| 327 | 35392 | | Starter Plug |
| 398 | 590685 | | Rewind Starter & Cup Ass'y. (This assembly replaces 590633 starter. This assembly consists of a 590671 rewind starter and a 35965A starter cup.) |
| 408 | 35570 | | Screen Seal (Optional) |
| 409 | 35569 | | Spacer (Optional) |
| 410 | 730573 | | Opt.Screen Kit (Incl.370D,408,409,411 ,413) |
| 411 | 35568 | | Debris Screen (Optional) |
| 413 | 650907 | | Screw, 5/16-18 x 1-5/8" (Optional) |
| 416 | 34479A | | Spark Arrestor Kit |
| 425 | 730572 | | Starter Muff Kit (Incl.370,426,427)(O pt.) |
| 426 | 34687 | | Starter Air Cleaner (Optional) |
| 427 | 34869 | | Starter Air Cleaner Bracket (Optional) |