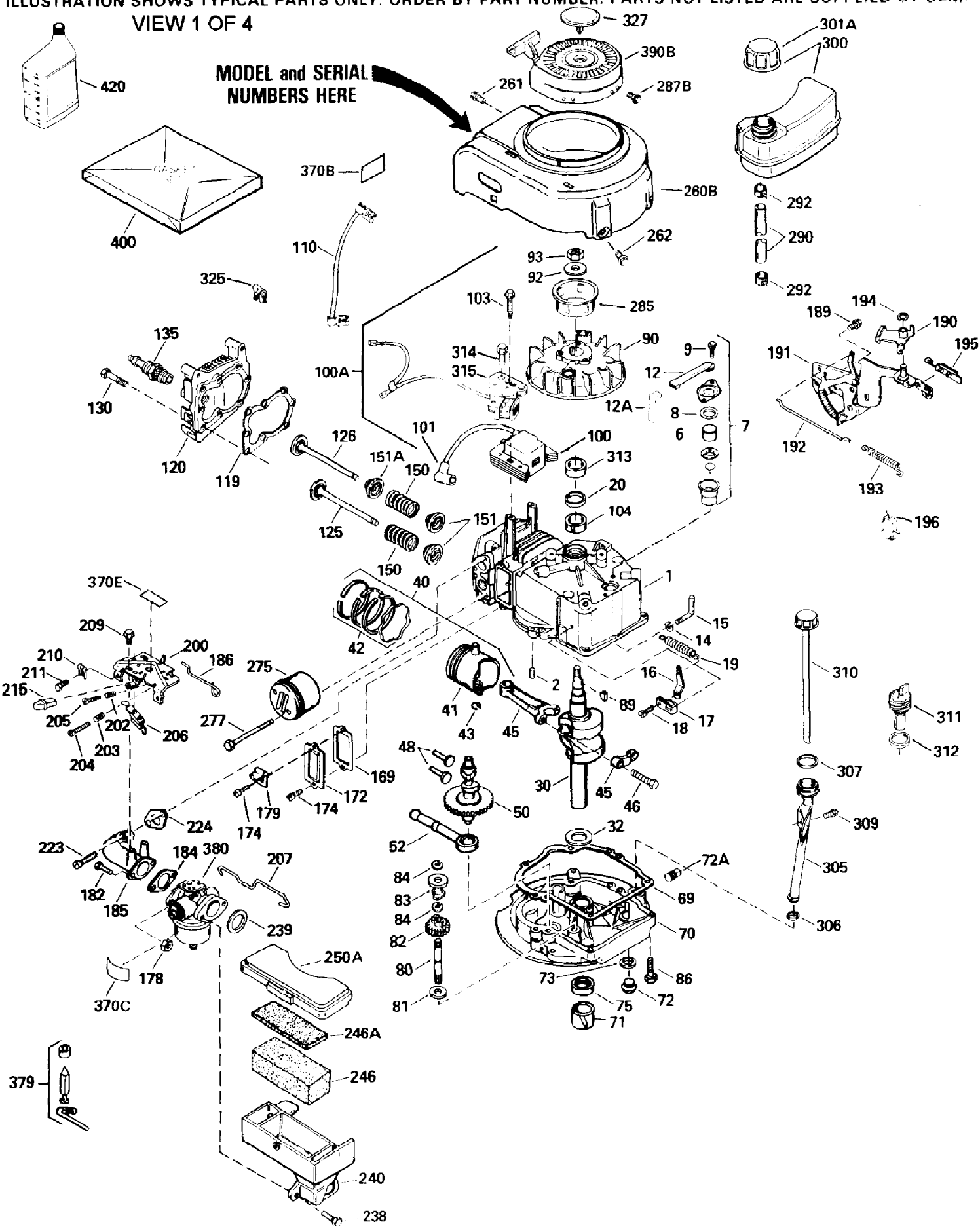


ILLUSTRATION SHOWS TYPICAL PARTS ONLY. ORDER BY PART NUMBER. PARTS NOT LISTED ARE SUPPLIED BY OEM.

VIEW 1 OF 4

MODEL and SERIAL
NUMBERS HERE

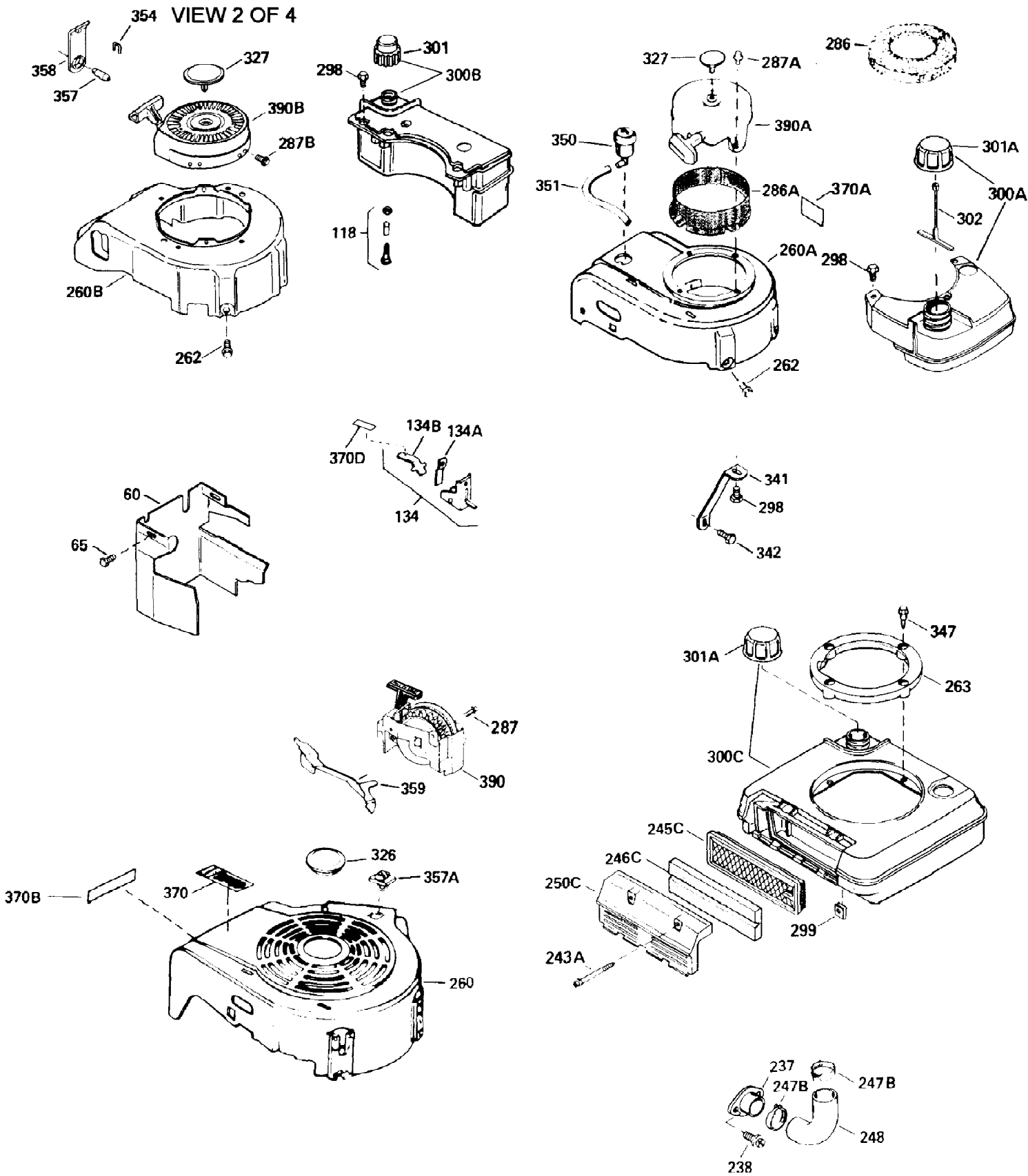


Ref #	Part Number	Qty	S/P/F	Description
1	34975	1	S/P	"Cylinder Ass'y. (Incl. 2, 8, 9 & 20) (2-1/2")
2	26727	1		Dowel Pin
6	33734	1		Element, Breather
7	34214A	1	S/P	Breather Ass'y. Incl. 6, 8, 9, 12 & 1 2A
8	33735	1		* Gasket, Breather
9	30200	1	/P	Screw, 10-24 x 9/16"
12A	34695	1		Elbow, Breather tube
12	33886	1	/P	Tube, Breather
14	28277	1		Flat Washer
15	30589	1		Rod, Governor (Incl. 14)
16	31383A	1	/P	Lever, Governor
17	31335	1		Clamp, Governor lever
18	650548	1	S	Screw, 8-32 x 5/16"
19	31361	1		Spring, Extension
20	32600	1		Seal, Oil
30	35166	1		Crankshaft Ass'y.
32	32323	1		Washer, Thrust NOTE: This thrust washer may not be required if a new crankshaft has been installed. Check the proper Mechanic's Handbook for acceptable end play. Use this .010" thrust washer if excess end play is measured.
40	34514	1		Piston, Pin & Ring Set (Std.) 2-1/2" Bore
40	34515	1		Piston, Pin & Ring Set (.010" OS)
40	34516	1		Piston, Pin & Ring Set (.020" OS)
41	32538B	1	/P	Piston & Pin Ass'y. (Incl. 43)(Std.) 2-1/2"
41	32548B	1	/P	Piston & Pin Ass'y. (Incl. 43) .010" OS
41	32549B	1	/P	Piston & Pin Ass'y. (Incl. 43) .020" OS
42	28986	1	/P	Ring Set (Std.)
42	28987	1	/P	Ring Set (.010" OS)
42	28988	1	/P	Ring Set (.020" OS)
43	20381	1		Piston Pin Retaining Ring
45	30963B	1	/P	Rod Assy., Connecting (Incl. 46)
46	32610A	1	/P	Bolt, Connecting rod
48	27241	1		Valve Lifter
50	33553	1	S/P	Camshaft (MCR)
52	29914	1		Oil Pump Ass'y.
69	35261	1	S/P	* Gasket, Mounting flange
70	34311C	1	S/P	Flange Ass'y. Incl. 72, 72A, 73, 75 & 80
72	30572	1	S/P	Plug, Oil drain (Incl. 73)
73	28833	1	/P	* Drain Plug Gasket Not req. W/plastic plug
75	27897	1		Oil Seal
80	30574	1	S/P	Shaft, Governor
81	30590A	1	/P	Washer, Flat
82	30591	1	/P	Gear Assy., Governor (Incl. 81)
83	30588A	1	/P	Spool, Governor
84	29193	1		Retaining Ring
86	650488	1	/P	Screw, 1/4-20 x 1-1/4"
89	611004	1		Flywheel Key (also available in Packaged Part #740007B)
90	611044	1	/P	Flywheel
92	650815	1	/P	Washer, Belleville

Ref #	Part Number	Qty	S/P/F	Description
93	650816	1		Nut, Flywheel
100	34443A	1	S/P	Solid State Assy.
100	730207	1	/P	Magneto-to-Solid State Conversion Kit (Includes solid state module, solid state flywheel key, and instructions.)(Use as required on external ignition engines only.)
101	610118	1		Cover, Spark plug
103	650814	1	S	Screw, Torx T-15, 10-24 x 1"
110	34961	1	S/P	Ground Wire
110	35356	1	S	Ground Wire
110	35357	1		Ground Wire
119	29953C	1	/P	* Gasket, Cylinder head
120	34335	1	S	Head, Cylinder
125	29313C	1	/P	Exhaust Valve (Std.) (Incl. 151)
125	29315C	1	/P	Exhaust Valve (1/32" OS) (Incl. 151)
126	29314B	1	S/P	Intake Valve (Std.) (Incl. 151)
126	29315C	1	/P	Exhaust Valve (1/32" OS) (Incl. 151)
130	6021A	1	/P	Screw, 5/16-18 x 1-1/2"
135	35395	1	/P	Resistor Spark Plug (RJ19LM) also available in Packaged Part #740081
150	31672	1	/P	Spring, Valve
151	31673	1		Cap, Lower valve spring
169	27234A	1	/P	* Gasket, Valve spring box
172	32755	1		Cover, Valve spring box
174	650128	1	/P	Screw, 10-24 x 1/2"
178	29752	1	/P	Nut & Lock Washer 1/4-28
182	6201	1	/P	Screw, 1/4-28 x 7/8"
184	26756	1	/P	* Gasket, Carburetor
185	31384A	1	/P	Pipe, Intake (Incl. 224)
186	34337	1		Link, Governor spring
189	650839	1		Screw, 1/4-20 x 3/8"
190	35831	1	/P	Lever, Brake
191	35015B	1	/P	S.E. Brake Bracket (Incl. 195)
192	34966	1		Link, Control
193	34965	1		Spring, Extension
194	32309	1	/P	Ring, Retaining
195	610973	1		Terminal Assy.
196	35035	1	S	Power Restart Switch
200	33205A	1	/P	Control Bracket (Incl. 202 thru 206))
202	33802	1	S	Spring, Torsion
203	31342	1		Spring, Torsion
204	650549	1	S	Screw, 5-40 x 7/16"
205	650777	1	S/P	Screw, 6-32 x 21/32"
206	610973	1		Terminal (Use as required)
207	34336	1	S	Link, Throttle
209	30200	1	/P	Screw, 10-24 x 9/16"
215	32410	1	/P	Knob, Speed control
223	650451	1	/P	Screw, 1/4-20 x 1"
224	34690A	1	/P	* Gasket, Intake pipe
261	30200	1	/P	Screw, 10-24 x 9/16"
262	650831	1		Screw, 1/4-20 x 15/32"
275	27181B	1	S/P	Muffler Kit (Incl. 274 & 277)

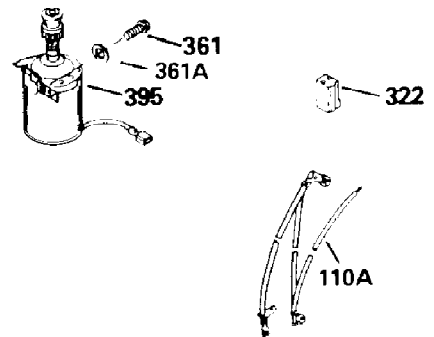
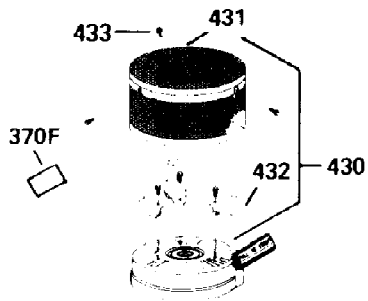
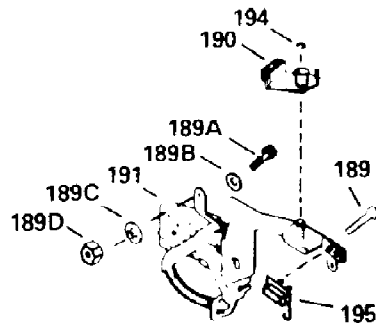
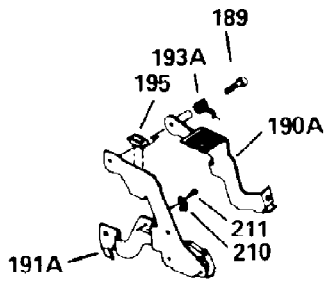
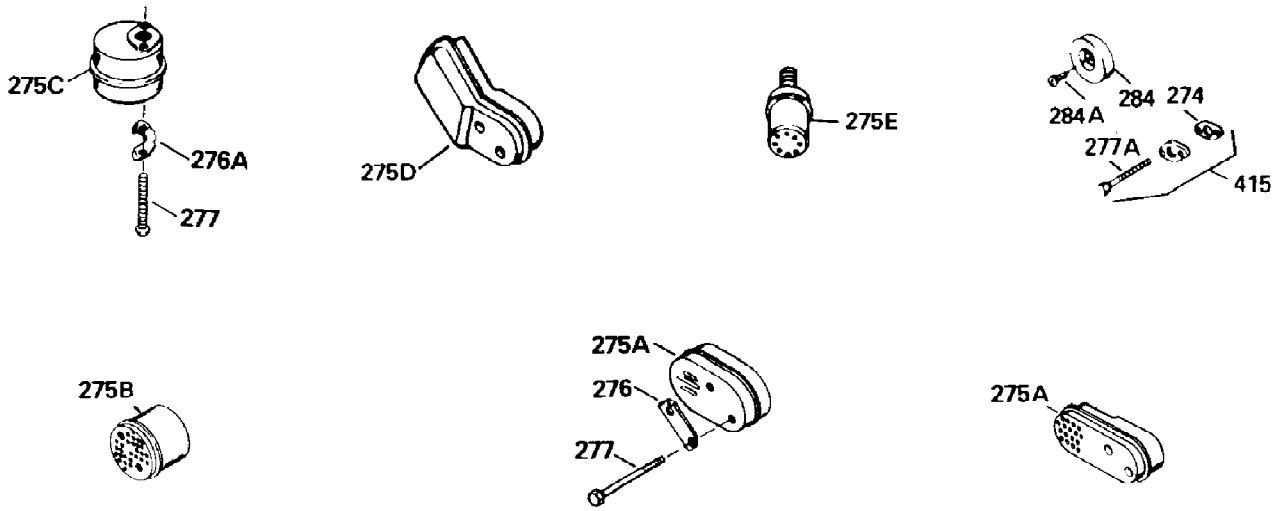
Ref #	Part Number	Qty	S/P/F	Description
277	650795	1		Screw, 1/4-20 x 2-1/4"
290	29774	1	/P	Fuel Line (8.62") as req.)
290	30705	1	/P	Fuel Line (Braided 16")(40cm) Use as req.
290	30962	1	/P	Fuel Line (Braided 32")(81cm) Use as req.
290	34357	1	S/P	Fuel Line (Epichlorohydrin 6-3/4") 1 7cm
292	26460	1	/P	Fuel Line Clamp
300	32170A	1	S/P	Fuel Tank (Incl. 292 & 301)
305	34264	1		Oil Fill Tube
306	34265	1		Gasket, Oil fill tube
306	34282	1		"O" Ring This "O" ring is required with metal fill tube only when replacement mounting flange with .777 dia. oil fill hole has been used.
307	33590	1		"O" Ring
309	650562	1	/P	Screw, 10-32 x 1/2"
310	34267	1	/P	Dipstick (Incl. 307)
313	34080	1	/P	Spacer, Flywheel key
314	650767	1	/P	Screw, 8-32 X 27/64``
315	34960	1		Coil Assy., Alternator
370E	35167	1	S	Control Decal
379	631021	1	S/P	Inlet Needle, Seat & Clip Assy.
380	632387	1	S/P	Carburetor (Incl. 184) (Refer to Division 5, Section A, page A2-12 or Fiche 8, Grid F-7for breakdown)
400	33238C	1	S/P	* Gasket Set (Incl. items marked *)
420	730225	1	S	SAE 30, 4-Cycle Engine Oil (Quart)
999	730278	1	/P	Summer Maintenance Kit (incl. Oil, Spark Plug, Air Cleaners (2), & Ultra-Fresh)

ILLUSTRATION SHOWS TYPICAL PARTS ONLY. ORDER BY PART NUMBER. PARTS NOT LISTED ARE SUPPLIED BY OEM.



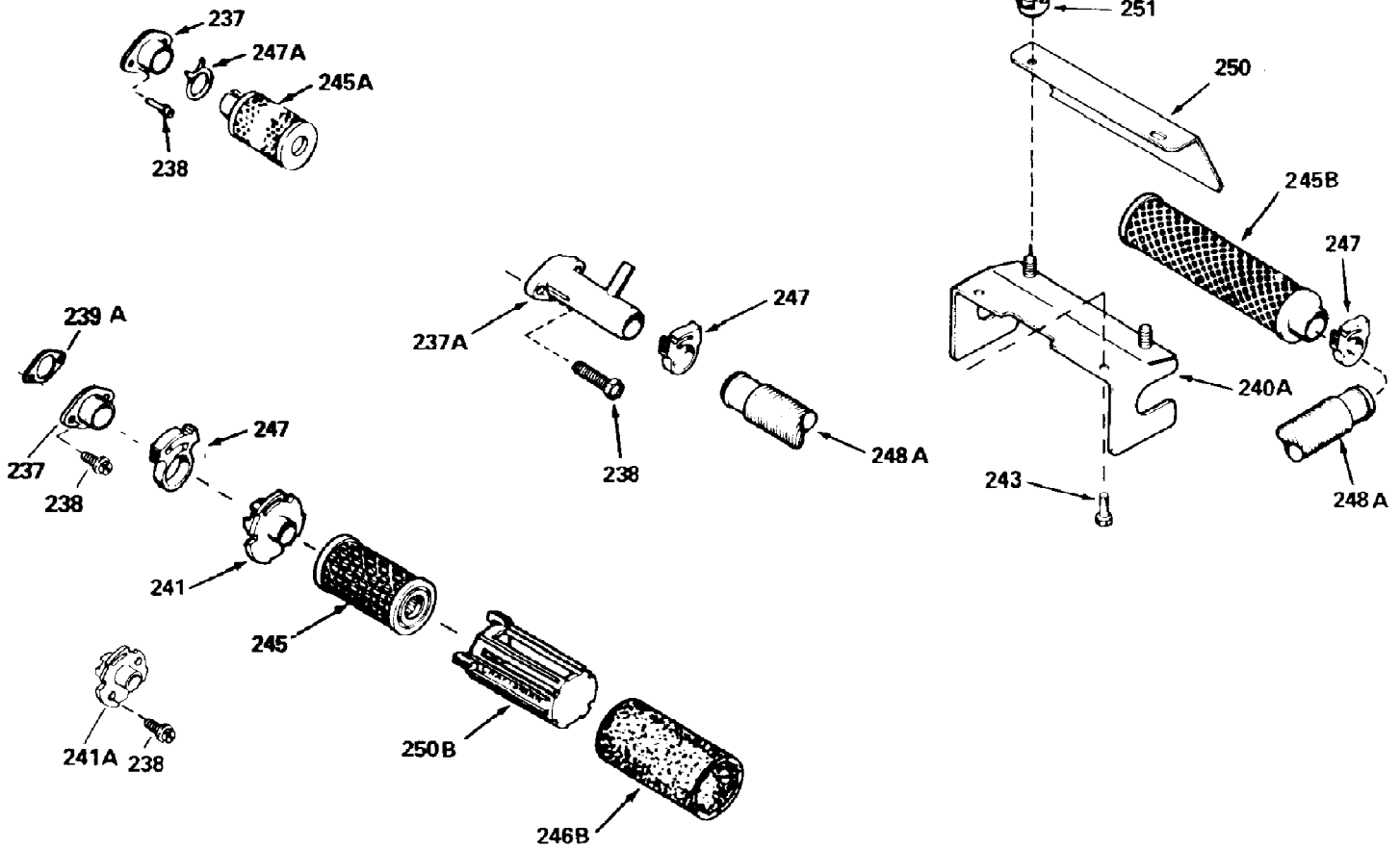
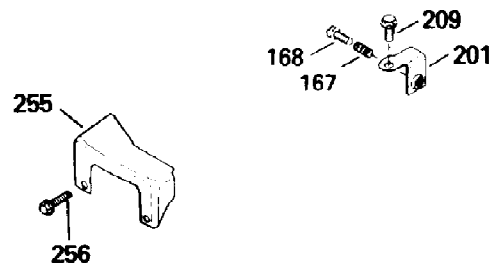
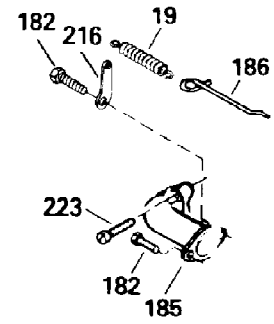
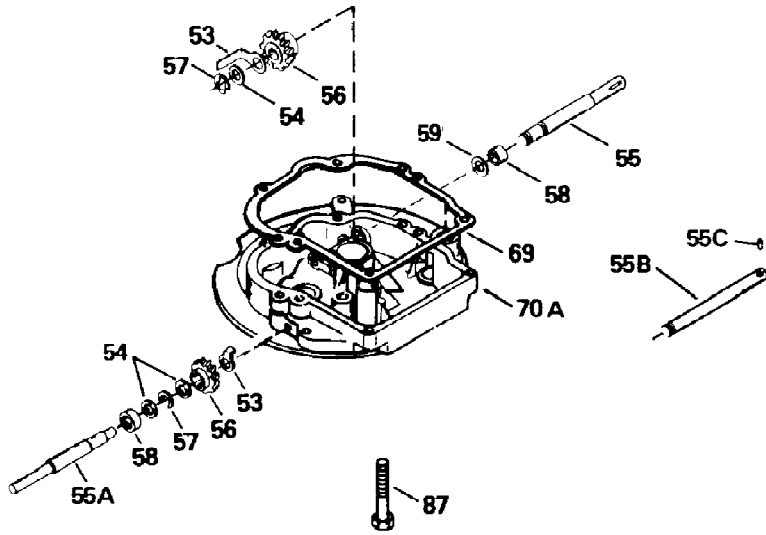
Ref #	Part Number	Qty	S/P/F	Description
118	730194	1		Rope Guide Kit Use as required with 3 4476 fuel tank
246C	35705	1		Air Filter (also available in Package d Part #740013B)
260	35238	1		Housing, Blower
262	650831	1		Screw, 1/4-20 x 15/32"
287A		1		Pop Rivet, (3/16" Dia.) Purchase locally
287A	650735	1		Screw, 10-24 x 3/8" (Use as required)
301	33032	1	/P	Fuel Cap (Red 1-1/2" ID) also available in Packaged Part #740005B
326	34113	1		Plug, Screen
370	35239	1		Decal, Instruction
999	730278	1	/P	Summer Maintenance Kit (incl. Oil, Spark Plug, Air Cleaners (2), & Ultra-Fresh)

VIEW 3 OF 4



Ref #	Part Number	Qty	S/P/F	Description
189	650839	1		Screw, 1/4-20 x 3/8"
190	35831	1	/P	Lever, Brake
191	35015B	1	/P	S.E. Brake Bracket (Incl. 195)
194	32309	1	/P	Ring, Retaining
195	610973	1		Terminal Assy.
274	26754A	1	/P	* Gasket, Exhaust (Use as required)
277	650795	1		Screw, 1/4-20 x 2-1/4"
277A	30063	1	/P	Screw, T-30, 1/4-20 x 1/2"
361	650831	1		Screw, 1/4-20 x 15/32"
370F	34387	1		Decal, Instruction (Optional)
395	34934	1	S	Electric Starter Motor (12 Volt) (Refer to Division 5, Section D, page 18 or Fiche 8, Grid G-11 for breakdown)
415	730162	1		Muffler Adap.Kit (Incl. 274,277A) Use as req.
430	730574	1	S	Debris Screen Kit (Incl. 370F,431-433)(Opt.)
431	35596	1		Debris Screen (Optional)
432	35597	1		Debris Screen Bracket (Optional)
433	650910	1	/P	Screw, 8-32 x 1/4" (Optional)
999	730278	1	/P	Summer Maintenance Kit (incl. Oil, Spark Plug, Air Cleaners (2), & Ultra-Fresh)

VIEW 4 OF 4



Ref #	Part Number	Qty	S/P/F	Description
19	31361	1		Spring, Extension
69	35261	1	S/P	* Gasket, Mounting flange
182	6201	1	/P	Screw, 1/4-28 x 7/8"
185	31384A	1	/P	Pipe, Intake (Incl. 224)
186	34337	1		Link, Governor spring
209	30200	1	/P	Screw, 10-24 x 9/16"
223	650451	1	/P	Screw, 1/4-20 x 1"
241	35067	1		Collar, Air cleaner (Black)
245	35066	1		Air Filter (Paper) (also available in Packaged Part #740095 (Qty.2))
246B	35435	1	/P	Filter, Pre-Air (Use as required)
247A	35068	1	/P	Clamp, Air cleaner
250B	35065	1		Air Filter Cover (Craftsman)
999	730278	1	/P	Summer Maintenance Kit (incl. Oil, Spark Plug, Air Cleaners (2), & Ultra-Fresh)