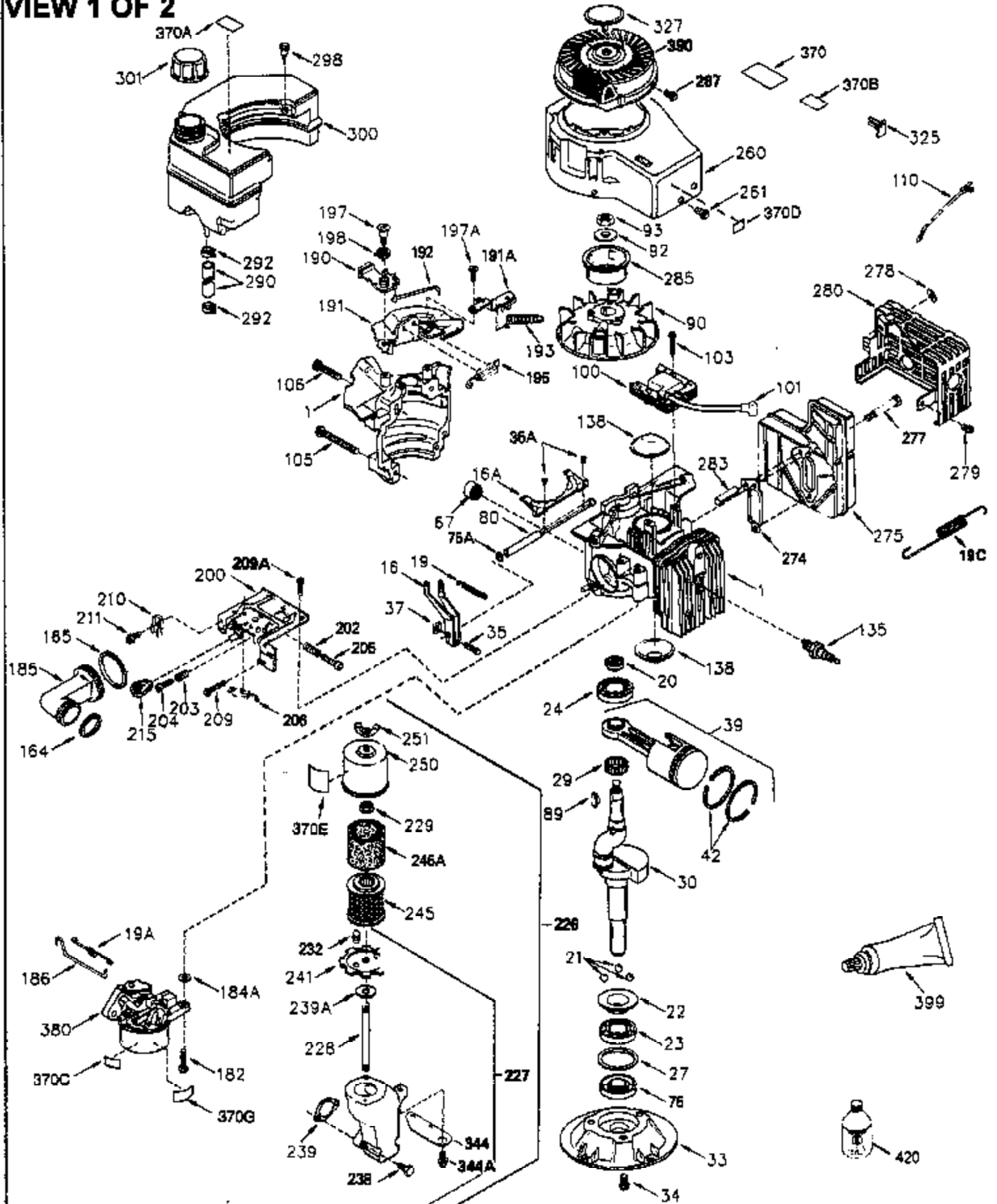


ILLUSTRATION SHOWS TYPICAL PARTS ONLY. ORDER BY PART NUMBER. PARTS NOT LISTED ARE SUPPLIED BY OEM.

**VIEW 1 OF 2**



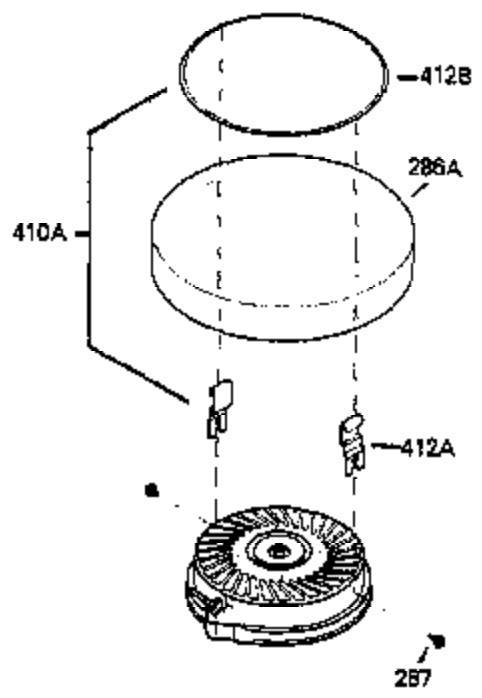
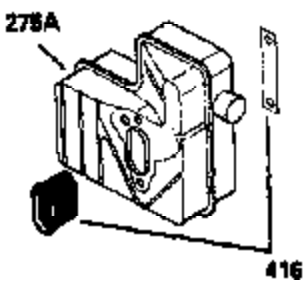
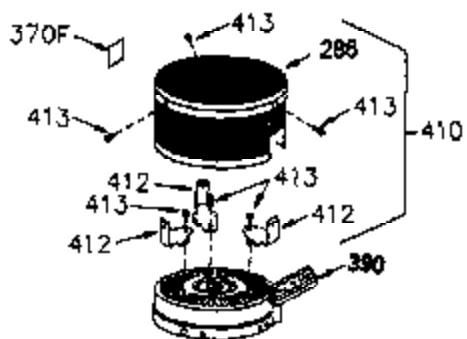
## Engine Parts List #1

| Ref # | Part Number | Qty | Description  |
|-------|-------------|-----|--|
|       | 1 250288    |     | Cylinder (Incl. 67A, 75, 105, 106 & 1 38)                              |
| 16A   | 490304      |     | Governor Lever   |
| 16    | 490306      |     | Governor Lever   |
| 19    | 490308      |     | Extension Spring   |
| 19A   | 490307      |     | Throttle Link Spring   |
| 20    | 510340      |     | Oil Seal   |
| 21    | 570673      |     | Ball Bearing   |
| 22    | 510338      |     | Slide Ring   |
| 23    | 530158      |     | Ball Bearing   |
| 24    | 530161      |     | Ball Bearing   |
| 27    | 530159      |     | Bearing Retainer   |
| 29    | 530164      |     | Bearing Strip (31 needles) (.495" lon g)                               |
| 30    | 290641      |     | Crankshaft   |
| 33    | 330179      |     | Adapter Plate  |
| 34    | 792067      |     | Screw, 5/16-18 x 1"  |
| 35A   | 650961      |     | Screw, 4-40 x 1/4"   |
| 35    | 29826       |     | Screw, 10-32 x 3/4"  |
| 37    | 29216       |     | Lock Nut, 10-32  |
| 39    | 310277B     |     | Piston & Rod Ass'y. (Incl. 29 & 42)                                    |
| 42    | 310278      |     | Ring Set   |
| 67    | 430233      |     | Fuel Filter (Screen w/brass collar)                                    |
| 67A   | 430234      |     | Fuel Filter (Screen) (Optional)  |
| 75    | 510339      |     | Oil Seal (P.T.O. end)  |
| 75A   | 510337      |     | Oil Seal   |
| 80    | 490305      |     | Governor Shaft   |
| 89    | 611107      |     | Flywheel Key   |
| 90    | 611109      |     | Flywheel (Counterbalance)  |
| 92    | 650815      |     | Belleville Washer  |
| 93    | 650816      |     | Flywheel Nut   |
| 100   | 34443A      |     | Solid State Ignition   |
| 101   | 610118      |     | Spark Plug Cover   |
| 103   | 650814      |     | Screw, Torx T-15, 10-24 x 1"   |
| 105   | 650892      |     | Screw, 5/16-18 x 2-3/16"   |
| 106   | 650891      |     | Screw, 5/16-18 x 1-5/8"  |
| 110   | 611106      |     | Ground Wire  |
| 135   | 35395       |     | Spark Plug (RJ19LM)  |
| 138   | 570683      |     | Port Cover   |
| 164   | 510341      |     | "O" Ring   |
| 165   | 510342      |     | "O" Ring   |
| 182   | 792067      |     | Screw, 5/16-18 x 1"  |
| 184A  | 27110       |     | Washer   |
| 185   | 570674      |     | Intake Pipe & Reed Ass'y. (Incl. 164 & 165)                            |
| 186   | 490309      |     | Governor Link  |
| 200   | 570675A     |     | Control Bracket (Incl.202,203,204,205 ,206)                            |
| 202   | 32924       |     | Compression Spring   |
| 203   | 31342       |     | Compression Spring   |
| 204   | 650549      |     | Screw, 5-40 x 7/16"  |
| 205   | 650606      |     | Screw, 10-32 x 1-1/8"  |
| 206   | 610973      |     | Terminal   |
| 209   | 650735      |     | Screw, 10-24 x 3/8"  |
| 210   | 27793       |     | Conduit Clip   |
| 211   | 650837      |     | Screw, 10-32 x 1/4"  |
| 226   | 730575A     |     | Air Cleaner Kit (Incl. 227, 229, 238, 239, 245, 245A, 250, 251 & 370B) |
| 227   | 450249A     |     | Air Cleaner Elbow Ass'y. (Incl. 228, 232, 238, 239A, 241, 344 & 344A)  |
| 238   | 650834      |     | Screw, 10-32 x 1-17/32"  |

| Ref # | Part Number | Qty | Description   |
|-------|-------------|-----|---|
| 245A  | 450243      |     | Air Cleaner Filter  |
| 245   | 450244      |     | Air Cleaner Filter  |
| 260   | 350429      |     | Blower Housing  |
| 261   | 650894      |     | Screw, 5/16-18 x 5/8"   |
| 274   | 510343A     |     | Exhaust Gasket  |
| 277   | 650893      |     | Screw, 5/16-18 x 3-13/64"   |
| 278   | 28537       |     | Washer  |
| 279   | 650837      |     | Screw, 10-32 x 1/4"   |
| 280   | 390307A     |     | Heat Shield   |
| 283   | 390315      |     | E.G.R. Tube   |
| 285   | 34449       |     | Starter Cup   |
| 287   | 650926      |     | Screw, 8-32 x 21/64"  |
| 290   | 29774       |     | Fuel Line   |
| 292   | 26460       |     | Fuel Line Clamp   |
| 298   | 650895      |     | Screw, 10-32 x 5/8"   |
| 300   | 410258      |     | Fuel Tank   |
| 301   | 410259A     |     | Fuel Cap  |
| 327   | 35392       |     | Starter Plug  |
| 370E  | 36260       |     | Primer Decal  |
| 370C  | 550234      |     | Bowl Nut Decal  |
| 370H  | 35977       |     | Caution Decal   |
| 380   | 632434      |     | Carburetor (Incl. 164) (Refer to Division 5, Section A, page A6-2 or Fiche 25, Grid F-1for breakdown) |
| 390   | 590686      |     | Rewind Starter (Refer to Division 5, Section C, page 36 or Fiche 25, Grid G-3 for breakdown)          |
| 399   | 510334      |     | Gasket Eliminator (Loctite 515)   |
| 420   | 730227A     |     | 2-Cycle Oil (8 oz.)   |

ILLUSTRATION SHOWS TYPICAL PARTS ONLY. ORDER BY PART NUMBER. PARTS NOT LISTED ARE SUPPLIED BY OEM.

**VIEW 2 OF 2**



| Ref # | Part Number | Qty | Description  |
|-------|-------------|-----|--|
| 67A   | 430234      |     | Fuel Filter (Screen) (Optional)  |
| 200   | 570675A     |     | Control Bracket (Incl.202,203,204,205 ,206)  |
| 202   | 32924       |     | Compression Spring   |
| 205   | 650606      |     | Screw, 10-32 x 1-1/8"  |
| 209   | 650735      |     | Screw, 10-24 x 3/8"  |
| 230   | 510344      |     | "O" Ring   |
| 231   | 450245      |     | Measuring Cup  |
| 240   | 450242      |     | Air Cleaner Body   |
| 245C  | 450247      |     | Air Cleaner Filter   |
| 245A  | 450243      |     | Air Cleaner Filter   |
| 245   | 450244      |     | Air Cleaner Filter   |
| 250A  | 450246      |     | Air Cleaner Cover  |
| 275A  | 390316      |     | Muffler (Discharge toward spark plugend) (w/glass fiber packing)                             |
| 287   | 650926      |     | Screw, 8-32 x 21/64"   |
| 290   | 29774       |     | Fuel Line  |
| 292   | 26460       |     | Fuel Line Clamp  |
| 296   | 34279B      |     | Fuel Filter  |
| 370E  | 36260       |     | Primer Decal   |
| 370H  | 35977       |     | Caution Decal  |
| 390   | 590686      |     | Rewind Starter (Refer to Division 5, Section C, page 36 or Fiche 25, Grid G-3 for breakdown) |
| 416   | 390309      |     | Spark Arrestor Kit (Can be used on an y model)   |