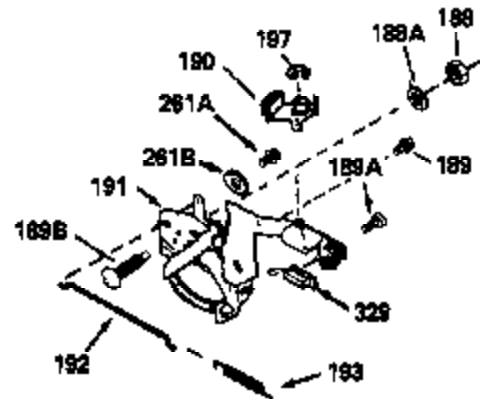
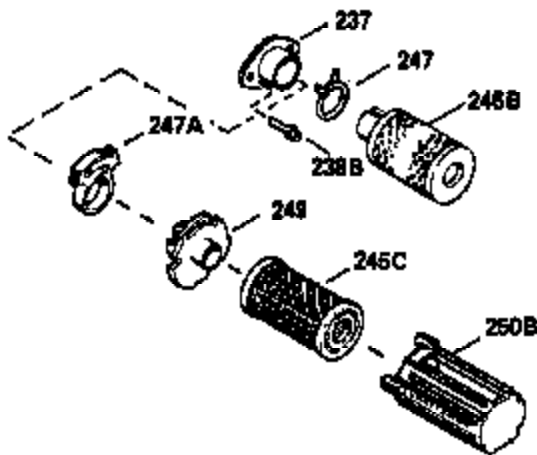
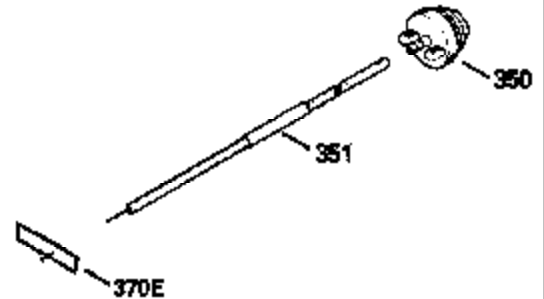
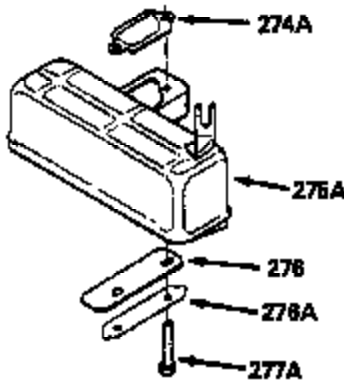
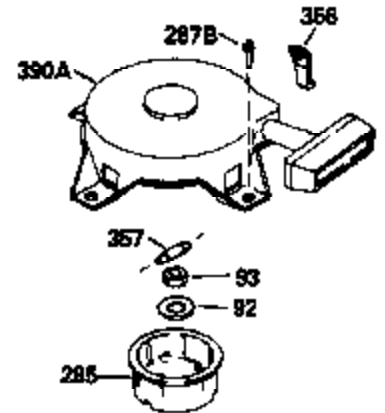
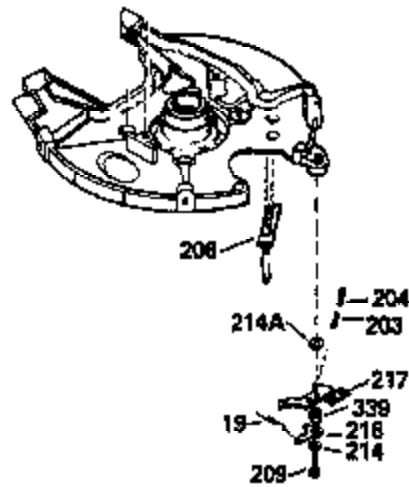
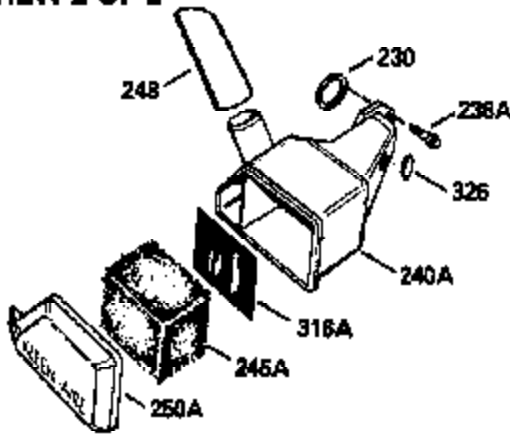


Ref #	Part Number	Qty	Description
	1		Cylinder (Order s/b if replacement is req.)
24	530110		Ball Bearing
27	510319		Oil Seal
28	28427		Oil Seal
29	530150		Needle Bearing & Liner Set (37 Needle s)
29A	530104A		Cartridge Bearing
30	290553		Crankshaft
30	330177		Adapter Plate (8" B.C.)
34	650797		Screw, 5/16-18 x 1/2"
41	310272A		Piston & Pin Ass'y. (.010" OS)
41	310283A		Piston & Pin Ass'y. (Std.)(Incl. 43)
42	310190		Ring Set (Std.)
42	310273		Ring Set (.010" OS)
43	310167		Piston Pin Retaining Ring
45	310235B		Connecting Rod Ass'y. (Incl. 29, 29A & 46)
46	650633		Connecting Rod Bolt
69	510292A		* Cylinder Cover Gasket
77	780097		Cartridge Bearing
89A	611032		Adapter Sleeve
90	611046A		Flywheel
92	650815		Belleville Washer
93	650390		Flywheel Nut
100	34443A		Solid State Ignition (Incl. 101)
100	730207		Magneto to Solid State Conversion Kit (Includes solid state module, solid state flywheel key, and instructions.)(Use as required on external ignition engines only.)
101	610118		Spark Plug Cover
103	650814		Screw, Torx T-15, 10-24 x 1"
110	611061		Ground Wire
119	510274A		* Cylinder Head Gasket
120	250240B		Cylinder Head
130	650477		Screw, Torx T-30, 1/4-20 x 3/4"
135	33636		Resistor Spark Plug
169	510323A		* Cover Plate Gasket
170	470152A		Reed & Cover Plate (Incl. 178)
174	650579		Screw, Torx T-25, 10-24 x 1/2"
178	650456		Nut, 1/4-20
184	510110A		* Carburetor Gasket
192	34966		Brake Control Link
257	650561		Screw, 1/4-20 x 5/8"
258	350427		Blower Housing Base (Incl. 27)
260	350418		Blower Housing
261	650958		Screw, 114-20 x 7/16"
261B	650854		Washer
261C	650773		Screw, 1/4-20 x 1/2"
274	510314		Exhaust Gasket
275	390300		Muffler
277	650911		Screw, Torx T-30, 1/4-20 x 5/8"
298	650803		Screw, 10-32 x 7/8"
326A	570663		Fuel Tank Plug
370B	550213		Warning Decal
370D	550212		Fuel Mix Decal
370A	34686		Name Decal
380	632342		Carburetor (Incl. 184) (Refer to Division 5, Section A, page A1-42 or Fiche 23B, Grid F-13 for breakdown)
400	510295A		* Gasket Set (Incl. items marked *)
422	730227A		2-Cycle Oil (8 oz.)

ILLUSTRATION SHOWS TYPICAL PARTS ONLY. ORDER BY PART NUMBER. PARTS NOT LISTED ARE SUPPLIED BY OEM.

VIEW 2 OF 2



Ref #	Part Number	Qty	Description
	92 650815		Belleville Washer
	93 650390		Flywheel Nut
189A	650911		Screw, Torx T-30, 1/4-20 x 5/8" (As r eq.)
189	650773		Screw, 1/4-20 x 1/2"
190	35831		Brake Lever
191	570658A		S.E. Brake Bracket
192	34966		Brake Control Link
193	34965		Brake Spring
197	32309		Retaining Ring
230	34338		Air Cleaner Gasket
238A	650806		Screw, 10-32 x 5/8"
240A	450234		Air Cleaner Body
245A	450236		Air Cleaner Element
248	33008		Air Cleaner Tube
250A	33007		Air Cleaner Cover
261A	650853		Screw, Torx T-30, 1/4-20 x 1/2"
261B	650854		Washer
285	590551		Starter Cup
287B			Rivet (Can be purchased locally)
316A	450235		Mesh Screen
326	450237		Button Plug
329	610973		Terminal
350	570682		Primer Bulb
351	570656		Primer Line
370E	36260		Primer Decal
390A	590420A		Rewind Starter (Refer to Division 5, Section C, page 25 or Fiche 23B, Grid G-11 for breakdown)