

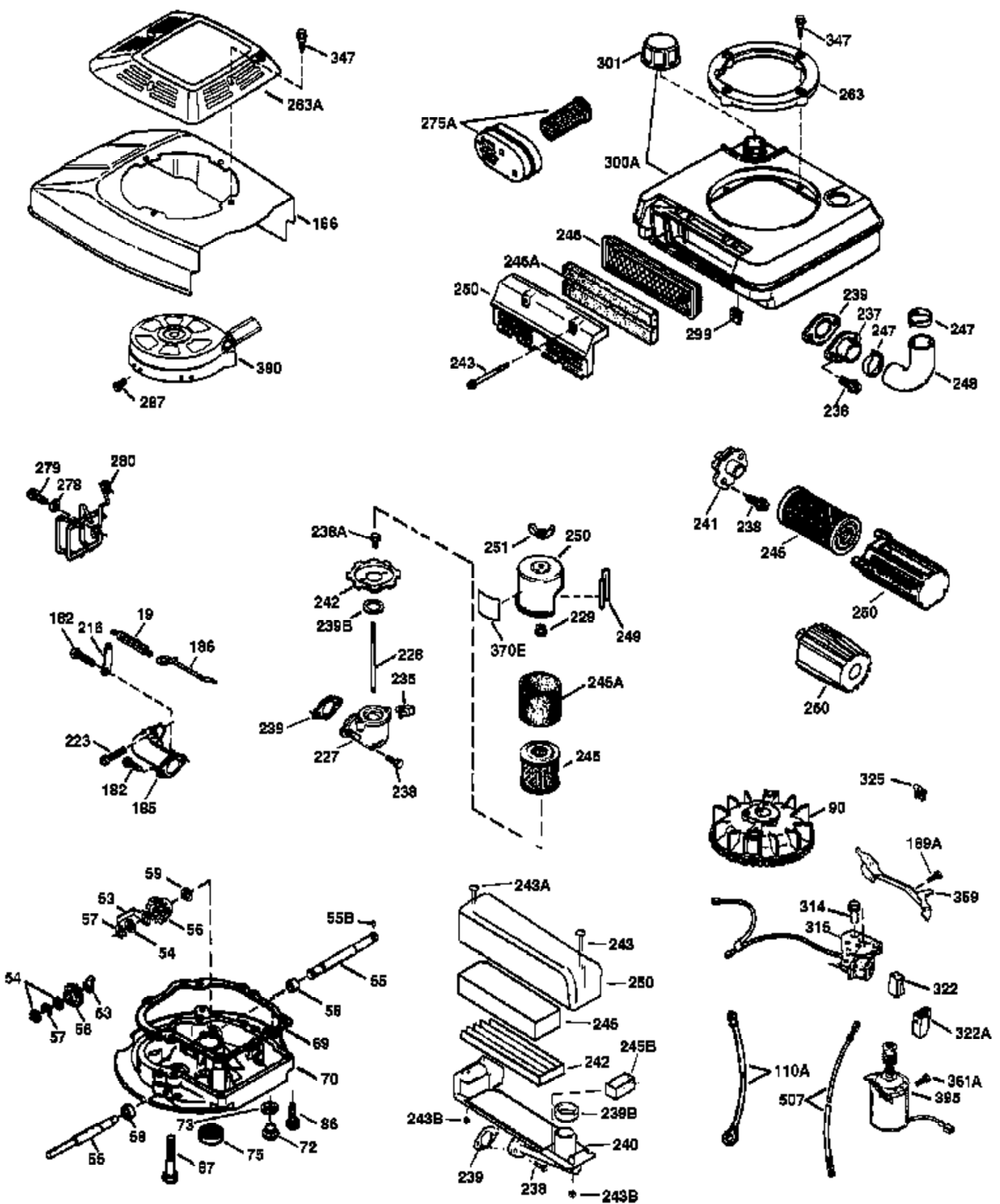
Engine Parts List #1

Ref #	Part Number	Qty	Description
1	36478A	1	Cylinder (Incl. 2,7,20 & 125)
2	26727	2	Dowel Pin
6	33734	1	Breather Element
7	36557	1	Breather Ass'y. (Incl. 6 & 12A)
12B	34695	1	Breather Tube Elbow
12	36558	1	Breather Cover & Tube (Incl. 12B)
14	28277	1	Washer
15	30589	1	Governor Rod (Incl. 14)
16	32651	1	Governor Lever
17	31335	1	Governor Lever Clamp
18	650548	1	Screw, 8-32 x 5/16"
19	36281	1	Extension Spring
20	32600	1	Oil Seal
30	36231	1	Crankshaft
40	36073	1	Piston, Pin & Ring Set (Std.)
40	36074	1	Piston, Pin & Ring Set (.010" OS)
40	36075	1	Piston, Pin & Ring Set (.020" OS)
41	36070	1	Piston & Pin Ass'y. (Std.) (Incl. 43)
41	36071	1	Piston & Pin Ass'y. (.010" OS) (Incl. 43)
41	36072	1	Piston & Pin Ass'y. (.020" OS) (Incl. 43)
42	36076	1	Ring Set (Std.)
42	36077	1	Ring Set (.010" OS)
42	36078	1	Ring Set (.020" OS)
43	20381	2	Piston Pin Retaining Ring
45	30963B	1	Connecting Rod Ass'y. (Incl. 46)
46	32610A	2	Connecting Rod Bolt
48	27241	2	Valve Lifter
50	35992	1	Camshaft (MCR)
52	29914	1	Oil Pump Ass'y.
69	35261	1	Mounting Flange Gasket
70	36249A	1	Mounting Flange (Incl. 72 thru 83)
72	30572	1	Oil Drain Plug (Incl. 73)
72A	28534	1	Oil Drain Plug
73	28833	1	Drain Plug Gasket
75	27897	1	Oil Seal
80	30574A	1	Governor Shaft
81	30590A	1	Washer
82	30591	1	Governor Gear Ass'y. (Incl. 81)
83	30588A	1	Governor Spool
86	650488	6	Screw, 1/4-20 x 1-1/4"
89	611004	1	Flywheel Key
90	611112	1	Flywheel
92	650815	1	Belleville Washer
93	650816	1	Flywheel Nut
100	34443A	1	Solid State Ignition
101	610118	1	Spark Plug Cover
103	651007	2	Screw, Torx T-15, 10-24 x 15/16"
110	34961	1	Ground Wire
119	36477	1	* Cylinder Head Gasket
120	36585	1	Cylinder Head
125	36471	1	Exhaust Valve (Std.) (Incl. 151)
125	36472	1	Exhaust Valve (1/32" OS) (Incl. 151)
126	29314B	1	Intake Valve (Std.) (Incl. 151)
126	29315C	1	Intake Valve (1/32" OS) (Incl. 151)
127	650691	2	Washer
129	650818	2	Screw, 5/16-18 x 1-1/2"
130	6021A	6	Screw, 5/16-18 x 1-1/2"
135	35395	1	Resistor Spark Plug (RJ19LM)

Engine Parts List #1

Ref #	Part Number	Qty	Description
150	35991	2	Valve Spring
151	31673	2	Valve Spring Cap
169	27234A	1	* Valve Cover Gasket
172	32755	1	Valve Cover
174	30200	2	Screw, 10-24 x 9/16"
178	29752	2	Nut & Lock Washer, 1/4-28
179	30593	1	Retainer Clip
182	6201	2	Screw, 1/4-28 x 7/8"
184	26756	1	* Carburetor To Intake Pipe Gasket
185	36544	1	Intake Pipe
186	34337	1	Governor Link
189	650839	2	Screw, 1/4-20 x 3/8"
191	36559	1	S.E. Brake Bracket (Incl. 195)
195	610973	1	Terminal
200	35727	1	Control Bracket (Incl. 202 thru 206)
202	36482	1	Compression Spring
203	31342	1	Compression Spring
204	650549	1	Screw, 5-40 x 7/16"
205	650777	1	Screw, 6-32 x 21/32"
206	610973	1	Terminal
207	34336	1	Throttle Link
209	30200	2	Screw, 10-24 x 9/16"
215	32410	1	Control Knob
223	650451	2	Screw, 1/4-20 x 1"
224	34690A	1	* Intake Pipe Gasket
238	650932	2	Screw, 10-32 x 49/64"
239	34338	1	* Air Cleaner Gasket
245	35066	1	Air Cleaner Filter
250	35986	1	Air Cleaner Cover
260	36545	1	Blower Housing
261B	8345	1	Washer
261	650831	2	Screw, 1/4-20 x 1/2"
261A	30063	1	Screw, Torx T-30, 1/4-20 x 1/2"
262	650831	2	Screw, 1/4-20 x 1/2"
263	36280	1	Trim Ring
275	36553	1	Muffler
276	35994	1	Locking Plate
277	650957	2	Screw, 1/4-20 x 2-31/32"
285	35000A	1	Starter Cup
287	650926	2	Screw, 8-32 x 21/64"
290	29774	1	Fuel Line
292	26460	2	Fuel Line Clamp
298	28763	2	Screw, 10-32 x 35/64"
300	36279	1	Fuel Tank (Incl. 292 & 301)
301	36246	1	Fuel Cap
305	36270	1	Oil Fill Tube
306	36832	1	* "O"-Ring
307	36272	1	"O"-Ring
309	650936	1	Screw, 10-32 x 13/32"
310	36271	1	Dipstick
313	34080	1	Spacer
324	33177	1	Terminal
370B	36507	1	Control Decal
370K	36695	1	Starter Decal
370A	36261	1	Lubrication Decal
380	632646	1	Carburetor (Incl. 184)

Ref #	Part Number	Qty	Description
390	590732	1	Rewind Starter (NOTE: This engine could have been built with 590688 starter. Refer to the design of the air intake louvers for part identification. Individual starter parts do not interchange.)
400	36481	1	* Gasket Set (Incl. items marked PK i n notes). Incl. Part #s 26756 (1), 27234A (1), 33735 (1), 34338 (1), 34690A (1), 35261 (1), 36477 (1), 36832 (1)
420	730225	1	SAE 30 4-Cycle Engine Oil (Quart)



Ref #	Part Number	Qty	Description
19	36281	1	Extension Spring
69	35261	1	Mounting Flange Gasket
70	36249A	1	Mounting Flange (Incl. 72 thru 83)
72	30572	1	Oil Drain Plug (Incl. 73)
73	28833	1	Drain Plug Gasket
75	27897	1	Oil Seal
86	650488	6	Screw, 1/4-20 x 1-1/4"
90	611112	1	Flywheel
110A	36230	1	Ground Wire
129	650818	2	Screw, 5/16-18 x 1-1/2"
182	6201	2	Screw, 1/4-28 x 7/8"
185	36544	1	Intake Pipe
186	34337	1	Governor Link
223	650451	2	Screw, 1/4-20 x 1"
238	650932	2	Screw, 10-32 x 49/64"
239	34338	1	* Air Cleaner Gasket
241	35797	1	Air Cleaner Collar
245	35066	1	Air Cleaner Filter
250	35986	1	Air Cleaner Cover
261B	8345	1	Washer
263	36280	1	Trim Ring
279	650956	3	Screw, Torx T-25, 12-24 x 49/64"
280	36554	1	Heat Shield
287	650926	2	Screw, 8-32 x 21/64"
301	36246	1	Fuel Cap
390	590732	1	Rewind Starter (NOTE: This engine could have been built with 590688 starter. Refer to the design of the air intake louvers for part identification. Individual starter parts do not interchange.)