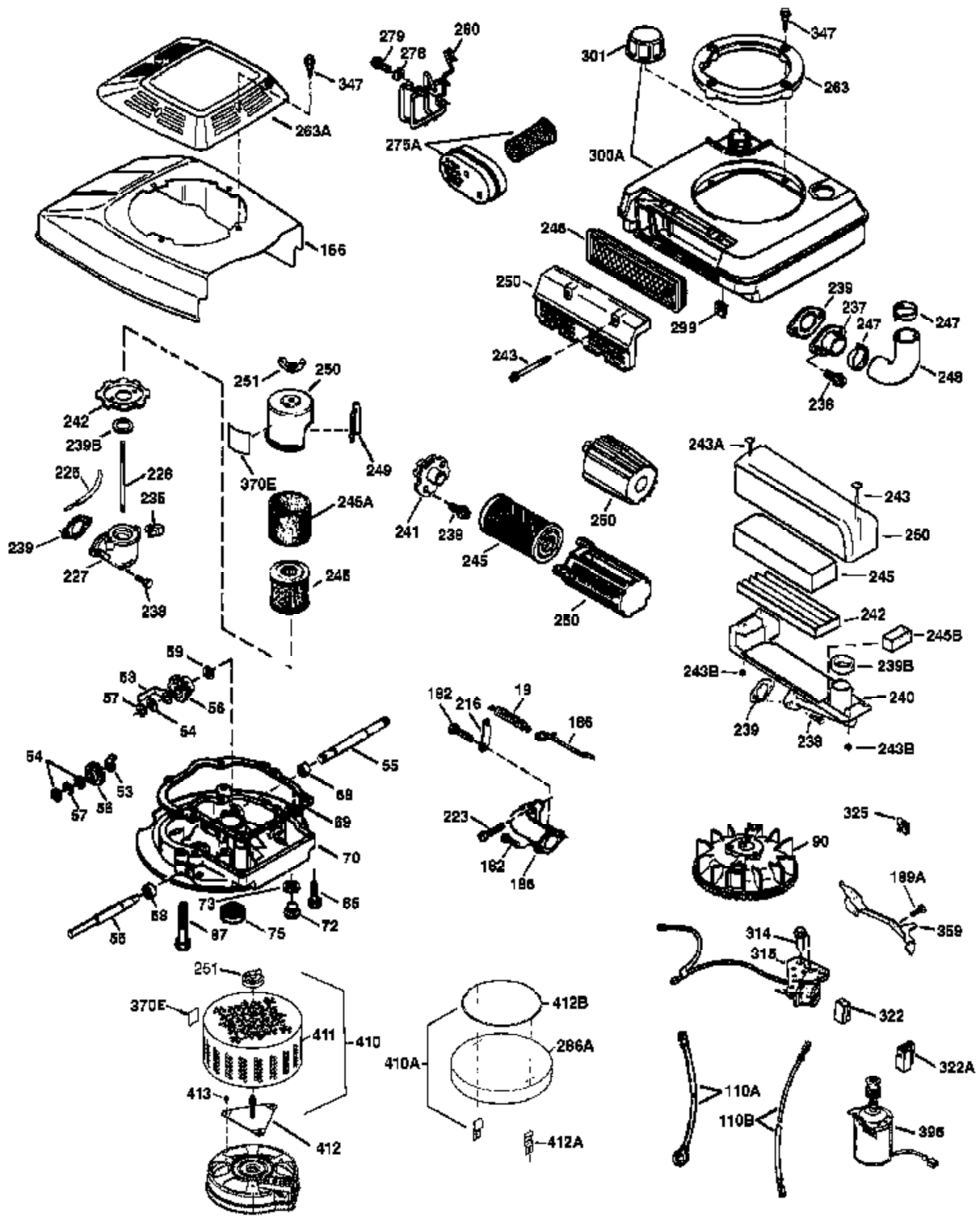


Engine Parts List #1

| Ref # | Part Number | Qty | Description |
|-------|-------------|-----|---|
| | 1 36478A | 1 | Cylinder (Incl. 2,7,20 & 125) |
| | 2 26727 | 2 | Dowel Pin |
| | 6 33734 | 1 | Breather Element |
| | 7 36557 | 1 | Breather Ass'y. (Incl. 6 & 12A) |
| 12B | 34695 | 1 | Breather Tube Elbow |
| 12A | 36558 | 1 | Breather Cover & Tube (Incl. 12B) |
| | 14 28277 | 1 | Washer |
| | 15 30589 | 1 | Governor Rod (Incl. 14) |
| | 16 34839A | 1 | Governor Lever |
| | 17 31335 | 1 | Governor Lever Clamp |
| | 18 651018 | 1 | Screw, Torx T-15, 8-32 x 19/64" |
| | 19 36281 | 1 | Extension Spring |
| | 20 32600 | 1 | Oil Seal |
| | 30 36215A | 1 | Crankshaft |
| | 40 36073 | 1 | Piston, Pin & Ring Set (Std.) |
| | 40 36074 | 1 | Piston, Pin & Ring Set (.010" OS) |
| | 40 36075 | 1 | Piston, Pin & Ring Set (.020" OS) |
| | 41 36070 | 1 | Piston & Pin Ass'y. (Std.) (Incl. 43) |
| | 41 36071 | 1 | Piston & Pin Ass'y. (.010" OS) (Incl. 43) |
| | 41 36072 | 1 | Piston & Pin Ass'y. (.020" OS) (Incl. 43) |
| | 42 36076 | 1 | Ring Set (Std.) |
| | 42 36077 | 1 | Ring Set (.010" OS) |
| | 42 36078 | 1 | Ring Set (.020" OS) |
| | 43 20381 | 2 | Piston Pin Retaining Ring |
| | 45 30963B | 1 | Connecting Rod Ass'y. (Incl. 46) |
| | 46 32610A | 2 | Connecting Rod Bolt |
| | 48 27241 | 2 | Valve Lifter |
| | 50 35992 | 1 | Camshaft (MCR) |
| | 52 29914 | 1 | Oil Pump Ass'y. |
| | 69 35261 | 1 | * Mounting Flange Gasket |
| | 70 34311D | 1 | Mounting Flange (Incl. 72 thru 83) |
| | 72 36083 | 1 | Oil Drain Plug |
| | 75 27897 | 1 | Oil Seal |
| | 80 30574A | 1 | Governor Shaft |
| | 81 30590A | 1 | Washer |
| | 82 30591 | 1 | Governor Gear Ass'y. (Incl. 81) |
| | 83 30588A | 1 | Governor Spool |
| | 86 650488 | 6 | Screw, 1/4-20 x 1-1/4" |
| | 89 611004 | 1 | Flywheel Key |
| | 90 611112 | 1 | Flywheel |
| | 92 650815 | 1 | Belleville Washer |
| | 93 650816 | 1 | Flywheel Nut |
| | 100 34443B | 1 | Solid State Ignition |
| | 101 610118 | 1 | Spark Plug Cover |
| | 103 651007 | 2 | Screw, Torx T-15, 10-24 x 15/16" |
| | 110 37047 | 1 | Ground Wire |
| | 119 36477 | 1 | * Cylinder Head Gasket |
| | 120 36476 | 1 | Cylinder Head |
| | 125 36471 | 1 | Exhaust Valve (Std.) (Incl. 151) |
| | 125 36472 | 1 | Exhaust Valve (1/32" OS) (Incl. 151) |
| | 126 29314B | 1 | Intake Valve (Std.) (Incl. 151) |
| | 126 29315C | 1 | Intake Valve (1/32" OS) (Incl. 151) |
| | 127 650691 | 2 | Washer |
| 130B | 650818 | 2 | Screw, 5/16-18 x 1-1/2" |
| | 130 6021A | 6 | Screw, 5/16-18 x 1-1/2" |
| | 135 35395 | 1 | Resistor Spark Plug (RJ19LM) |
| | 150 35991 | 2 | Valve Spring |
| | 151 31673 | 2 | Valve Spring Cap |

Engine Parts List #1

| Ref # | Part Number | Qty | Description |
|-------|-------------|-----|--|
| 169 | 27234A | 1 | * Valve Cover Gasket |
| 172 | 32755 | 1 | Valve Cover |
| 174 | 30200 | 1 | Screw, 10-24 x 9/16" |
| 174A | 651024 | 1 | Stud |
| 178 | 29752 | 2 | Nut & Lock Washer, 1/4-28 |
| 182 | 6201 | 2 | Screw, 1/4-28 x 7/8" |
| 184 | 26756 | 1 | * Carburetor To Intake Pipe Gasket |
| 185 | 36544 | 1 | Intake Pipe |
| 186 | 34337 | 1 | Governor Link |
| 189A | 650926 | 1 | Screw, 8/32 x 21/64" |
| 189 | 650839 | 2 | Screw, 1/4-20 x 3/8" |
| 191 | 36559 | 1 | S.E. Brake Bracket (Incl. 195) |
| 195 | 610973 | 1 | Terminal |
| 200 | 33131A | 1 | Control Bracket (Incl. 202 thru 205) |
| 202 | 36482 | 1 | Compression Spring |
| 203 | 31342 | 1 | Compression Spring |
| 204 | 651029 | 1 | Screw, Torx T-10, 5-40 x 7/16" |
| 205 | 651019 | 1 | Screw, Torx T-10, 6-32 x 41/64" |
| 207 | 34336 | 1 | Throttle Link |
| 209 | 30200 | 2 | Screw, 10-24 x 9/16" |
| 223 | 650451 | 2 | Screw, 1/4-20 x 1" |
| 224 | 34690A | 1 | * Intake Pipe Gasket |
| 238 | 650932 | 2 | Screw, 10-32 x 49/64" |
| 250 | 35986 | 1 | Air Cleaner Cover |
| 260 | 37007 | 1 | Blower Housing |
| 261 | 30200 | 2 | Screw, 10-24 x 9/16" |
| 262 | 650831 | 2 | Screw, 1/4-20 x 1/2" |
| 275 | 36473 | 1 | Muffler (Incl. 277) |
| 277 | 650988 | 2 | Screw, 1/4-20 x 2-5/16" |
| 279A | 30200 | 1 | Screw, 10-24 x 9/16" |
| 280 | 36765 | 1 | Heat Shield |
| 281 | 37211 | 1 | Cover Guard |
| 282 | 650926 | 1 | Screw, 8/32 x 21/64" |
| 285 | 35000A | 1 | Starter Cup |
| 287 | 650926 | 2 | Screw, 8-32 x 21/64" |
| 290 | 34357 | 1 | Fuel Line |
| 292 | 26460 | 2 | Fuel Line Clamp |
| 300 | 35586 | 1 | Fuel Tank (Incl. 292 & 301) |
| 301 | 35355 | 1 | Fuel Cap |
| 305 | 35498 | 1 | Oil Fill Tube |
| 306 | 36996 | 1 | * "O"-Ring |
| 307 | 35499 | 1 | "O"-Ring |
| 309 | 650562 | 1 | Screw, 10-32 x 1/2" |
| 310 | 35611 | 1 | Dipstick |
| 313 | 34080 | 1 | Spacer |
| 370C | 37199 | 1 | Primer Decal |
| 370A | 36261 | 1 | Lubrication Decal |
| 370D | 36534 | 1 | Caution Decal |
| 380 | 632733 | 1 | Carburetor (Incl. 184) |
| 390 | 590702 | 1 | Rewind Starter (NOTE: This engine could have been built with 590739 starter). |
| 400 | 36481B | 1 | * Gasket Set (Incl. items marked PK in notes). Incl. Part #s 26756 (1), 27234A (1), 33735 (1), 34338 (1), 34690A (1), 36477 (1), 36832 (1), 36996 (1), 37130 (1) |
| 416 | 36085 | 1 | Spark Arrestor Kit (Incl. 417)(Optional) |
| 417 | 650760 | 1 | Screw, 8-32 x 3/8" (Optional) |
| 420 | 730225 | 1 | SAE 30 4-Cycle Engine Oil (Quart) |



Engine Parts List #2

| Ref # | Part Number | Qty | Description |
|-------|-------------|-----|------------------------------------|
| 19 | 36281 | 1 | Extension Spring |
| 69 | 35261 | 1 | * Mounting Flange Gasket |
| 70 | 34311D | 1 | Mounting Flange (Incl. 72 thru 83) |
| 72 | 36083 | 1 | Oil Drain Plug |
| 75 | 27897 | 1 | Oil Seal |
| 86 | 650488 | 6 | Screw, 1/4-20 x 1-1/4" |
| 90 | 611112 | 1 | Flywheel |
| 182 | 6201 | 2 | Screw, 1/4-28 x 7/8" |
| 185 | 36544 | 1 | Intake Pipe |
| 186 | 34337 | 1 | Governor Link |
| 189A | 650926 | 1 | Screw, 8/32 x 21/64" |
| 223 | 650451 | 2 | Screw, 1/4-20 x 1" |
| 238 | 650932 | 2 | Screw, 10-32 x 49/64" |
| 239 | 34338 | 1 | * Air Cleaner Gasket |
| 241 | 35797 | 1 | Air Cleaner Collar |
| 245 | 35066 | 1 | Air Cleaner Filter |
| 250 | 35986 | 1 | Air Cleaner Cover |
| 279 | 30063 | 2 | Screw, Torx T-30, 1/4-20 x 1/2" |
| 279A | 30200 | 1 | Screw, 10-24 x 9/16" |
| 280 | 36765 | 1 | Heat Shield |
| 281 | 37211 | 1 | Cover Guard |
| 282 | 650926 | 1 | Screw, 8/32 x 21/64" |
| 301 | 35355 | 1 | Fuel Cap |
| 359 | 36773 | 1 | Starter Guard |
| 380 | 632733 | 1 | Carburetor (Incl. 184) |