

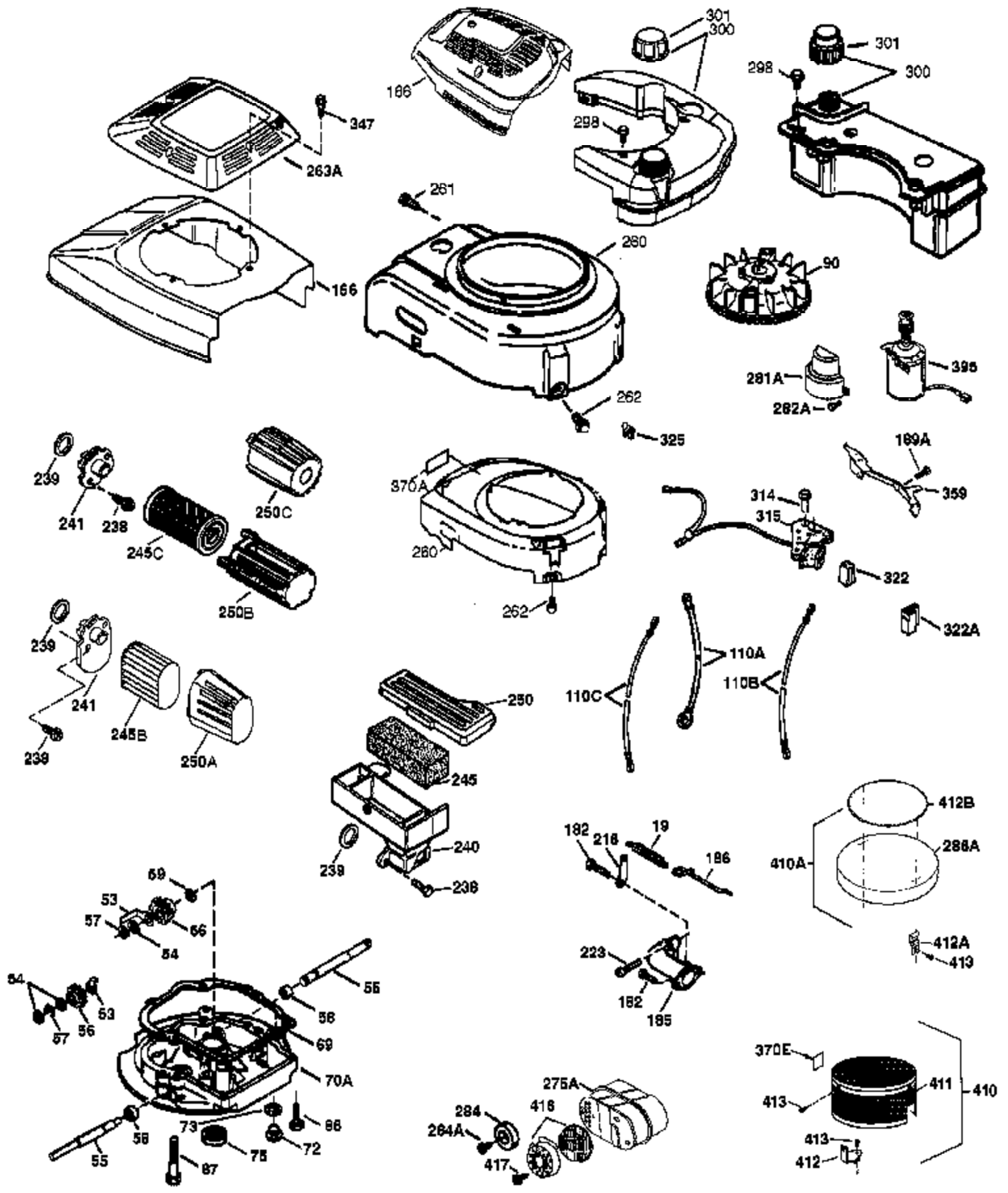


## Engine Parts List #1

| Ref # | Part Number | Qty | Description                               |
|-------|-------------|-----|---|
|       | 1 36478A    | 1   | Cylinder (Incl. 2,7,20 & 125)             |
|       | 2 26727     | 2   | Dowel Pin                                 |
|       | 6 33734     | 1   | Breather Element                          |
|       | 7 36557     | 1   | Breather Ass'y. (Incl. 6 & 12A)           |
| 12A   | 36558       | 1   | Breather Cover & Tube                     |
|       | 14 28277    | 1   | Washer                                    |
|       | 15 30589    | 1   | Governor Rod (Incl. 14)                   |
|       | 16 32651    | 1   | Governor Lever                            |
|       | 17 31335    | 1   | Governor Lever Clamp                      |
|       | 18 651018   | 1   | Screw, Torx T-15, 8-32 x 19/64"           |
|       | 19 36281    | 1   | Extension Spring                          |
|       | 20 32600    | 1   | Oil Seal                                  |
|       | 30 35799A   | 1   | Crankshaft                                |
|       | 40 36073    | 1   | Piston, Pin & Ring Set (Std.)             |
|       | 40 36074    | 1   | Piston, Pin & Ring Set (.010" OS)         |
|       | 40 36075    | 1   | Piston, Pin & Ring Set (.020" OS)         |
|       | 41 36070    | 1   | Piston & Pin Ass'y. (Std.) (Incl. 43)     |
|       | 41 36071    | 1   | Piston & Pin Ass'y. (.010" OS) (Incl. 43) |
|       | 41 36072    | 1   | Piston & Pin Ass'y. (.020" OS) (Incl. 43) |
|       | 42 36076    | 1   | Ring Set (Std.)                           |
|       | 42 36077    | 1   | Ring Set (.010" OS)                       |
|       | 42 36078    | 1   | Ring Set (.020" OS)                       |
|       | 43 20381    | 2   | Piston Pin Retaining Ring                 |
|       | 45 30963B   | 1   | Connecting Rod Ass'y. (Incl. 46)          |
|       | 46 32610A   | 2   | Connecting Rod Bolt                       |
|       | 48 27241    | 2   | Valve Lifter                              |
|       | 50 35992    | 1   | Camshaft (MCR)                            |
|       | 52 29914    | 1   | Oil Pump Ass'y.                           |
|       | 69 35261    | 1   | * Mounting Flange Gasket                  |
|       | 70 34311D   | 1   | Mounting Flange (Incl. 72 thru 83)        |
|       | 72 36083    | 1   | Oil Drain Plug                            |
|       | 75 27897    | 1   | Oil Seal                                  |
|       | 80 30574A   | 1   | Governor Shaft                            |
|       | 81 30590A   | 1   | Washer                                    |
|       | 82 30591    | 1   | Governor Gear Ass'y. (Incl. 81)           |
|       | 83 30588A   | 1   | Governor Spool                            |
|       | 86 650488   | 6   | Screw, 1/4-20 x 1-1/4"                    |
|       | 89 611004   | 1   | Flywheel Key                              |
|       | 90 611112   | 1   | Flywheel                                  |
|       | 92 650815   | 1   | Belleville Washer                         |
|       | 93 650816   | 1   | Flywheel Nut                              |
|       | 100 34443A  | 1   | Solid State Ignition                      |
|       | 101 610118  | 1   | Spark Plug Cover                          |
|       | 103 651007  | 2   | Screw, Torx T-15, 10-24 x 15/16"          |
|       | 110 36230   | 1   | Ground Wire                               |
|       | 119 36477   | 1   | * Cylinder Head Gasket                    |
|       | 120 36476   | 1   | Cylinder Head                             |
|       | 125 36471   | 1   | Exhaust Valve (Std.) (Incl. 151)          |
|       | 125 36472   | 1   | Exhaust Valve (1/32" OS) (Incl. 151)      |
|       | 126 29314B  | 1   | Intake Valve (Std.) (Incl. 151)           |
|       | 126 29315C  | 1   | Intake Valve (1/32" OS) (Incl. 151)       |
|       | 130 6021A   | 8   | Screw, 5/16-18 x 1-1/2"                   |
|       | 135 35395   | 1   | Resistor Spark Plug (RJ19LM)              |
|       | 150 35991   | 2   | Valve Spring                              |
|       | 151 31673   | 2   | Valve Spring Cap                          |
|       | 169 27234A  | 1   | * Valve Cover Gasket                      |
|       | 172 32755   | 1   | Valve Cover                               |
|       | 174 30200   | 2   | Screw, 10-24 x 9/16"                      |

| Ref # | Part Number | Qty | Description   |
|-------|-------------|-----|---|
| 178   | 29752       | 2   | Nut & Lock Washer, 1/4-28   |
| 179   | 30593       | 1   | Retainer Clip   |
| 182   | 6201        | 2   | Screw, 1/4-28 x 7/8"  |
| 184   | 26756       | 1   | * Carburetor To Intake Pipe Gasket  |
| 185   | 36544       | 1   | Intake Pipe   |
| 186   | 34337       | 1   | Governor Link   |
| 189   | 650958      | 1   | Screw, 1/4-20 x 7/16"   |
| 200   | 33131A      | 1   | Control Bracket (Incl. 202 thru 206)  |
| 202   | 36482       | 1   | Compression Spring  |
| 203   | 31342       | 1   | Compression Spring  |
| 204   | 650549      | 1   | Screw, 5-40 x 7/16"   |
| 205   | 650777      | 1   | Screw, 6-32 x 21/32"  |
| 206   | 610973      | 1   | Terminal  |
| 207   | 34336       | 1   | Throttle Link   |
| 209   | 30200       | 2   | Screw, 10-24 x 9/16"  |
| 210   | 27793       | 1   | Conduit Clip  |
| 211   | 28942       | 1   | Screw, 10-32 x 3/8"   |
| 223   | 650451      | 2   | Screw, 1/4-20 x 1"  |
| 224   | 34690A      | 1   | * Intake Pipe Gasket  |
| 238   | 650806      | 2   | Screw, 10-32 x 5/8"   |
| 239   | 34338       | 1   | * Air Cleaner Gasket  |
| 240   | 36743       | 1   | Air Cleaner Body  |
| 245   | 36745       | 1   | Air Cleaner Filter  |
| 245A  | 36746       | 1   | Air Cleaner Filter  |
| 250   | 36744       | 1   | Air Cleaner Cover   |
| 260   | 36756       | 1   | Blower Housing  |
| 261   | 30200       | 2   | Screw, 10-24 x 9/16"  |
| 262   | 650831      | 2   | Screw, 1/4-20 x 1/2"  |
| 275   | 36473       | 1   | Muffler (Incl. 277)   |
| 277   | 650988      | 2   | Screw, 1/4-20 x 2-5/16"   |
| 285   | 35000A      | 1   | Starter Cup   |
| 287   | 650926      | 2   | Screw, 8-32 x 21/64"  |
| 290   | 34357       | 1   | Fuel Line   |
| 292   | 26460       | 2   | Fuel Line Clamp   |
| 298   | 28763       | 3   | Screw, 10-32 x 35/64"   |
| 300   | 36757       | 1   | Fuel Tank (Incl. 292 & 301)   |
| 301   | 36246       | 1   | Fuel Cap  |
| 305   | 35577       | 1   | Oil Fill Tube   |
| 306   | 36832       | 1   | * "O"-Ring  |
| 307   | 35499       | 1   | "O"-Ring  |
| 309   | 650562      | 1   | Screw, 10-32 x 1/2"   |
| 310   | 35578       | 1   | Dipstick  |
| 313   | 34080       | 1   | Spacer  |
| 359   | 36773       | 1   | Starter Guard   |
| 370K  | 36695       | 1   | Starter Decal   |
| 370A  | 36261       | 1   | Lubrication Decal   |
| 370D  | 35977       | 1   | Caution Decal   |
| 380   | 632742      | 1   | Carburetor (Incl. 184)  |
| 390   | 590732      | 1   | Rewind Starter (NOTE: This engine could have been built with 590738 starter. Refer to the design of the rope pulley strength ribs for part identification. Individual starter parts do not interchange. Refer to service bulletin 116). |
| 400   | 36475       | 1   | * Gasket Set (Incl. items marked PK in notes) Incl. part #'s 26756 (1), 27234A (1), 33735 (1), 36832 (1), 34338 (1), 34690A (1), 35261 (1), 36437 (1)   |
| 416   | 36085       | 1   | Spark Arrestor Kit (Incl. 417)(Optional)  |
| 417   | 650760      | 1   | Screw, 8-32 x 3/8" (Optional)   |

| Ref # | Part Number | Qty | Description                         |
|-------|-------------|-----|-------------------------------------|
| 420   | 730225      | 1   | SAE 30 4-Cycle Engine Oil (1 Quart) |



## Engine Parts List #2

| Ref # | Part Number | Qty | Description                               |
|-------|-------------|-----|---|
| 19    | 36281       | 1   | Extension Spring                          |
| 41    | 36070       | 1   | Piston & Pin Ass'y. (Std.) (Incl. 43)     |
| 41    | 36071       | 1   | Piston & Pin Ass'y. (.010" OS) (Incl. 43) |
| 41    | 36072       | 1   | Piston & Pin Ass'y. (.020" OS) (Incl. 43) |
| 69    | 35261       | 1   | * Mounting Flange Gasket                  |
| 72    | 36083       | 1   | Oil Drain Plug                            |
| 75    | 27897       | 1   | Oil Seal                                  |
| 86    | 650488      | 6   | Screw, 1/4-20 x 1-1/4"                    |
| 90    | 611112      | 1   | Flywheel                                  |
| 182   | 6201        | 2   | Screw, 1/4-28 x 7/8"                      |
| 185   | 36544       | 1   | Intake Pipe                               |
| 186   | 34337       | 1   | Governor Link                             |
| 189A  | 650765      | 1   | Screw, 10-32 x 1/2"                       |
| 223   | 650451      | 2   | Screw, 1/4-20 x 1"                        |
| 238   | 650806      | 2   | Screw, 10-32 x 5/8"                       |
| 239   | 34338       | 1   | * Air Cleaner Gasket                      |
| 240   | 36743       | 1   | Air Cleaner Body                          |
| 245   | 36745       | 1   | Air Cleaner Filter                        |
| 250   | 36744       | 1   | Air Cleaner Cover                         |
| 260   | 36756       | 1   | Blower Housing                            |
| 261   | 30200       | 2   | Screw, 10-24 x 9/16"                      |
| 262   | 650831      | 2   | Screw, 1/4-20 x 1/2"                      |
| 263A  | 36758       | 1   | Starter Grill                             |
| 298   | 28763       | 3   | Screw, 10-32 x 35/64"                     |
| 300   | 36757       | 1   | Fuel Tank (Incl. 292 & 301)               |
| 301   | 36246       | 1   | Fuel Cap                                  |
| 359   | 36773       | 1   | Starter Guard                             |
| 370A  | 36261       | 1   | Lubrication Decal                         |
| 416   | 36085       | 1   | Spark Arrestor Kit (Incl. 417)(Optional)  |
| 417   | 650760      | 1   | Screw, 8-32 x 3/8" (Optional)             |