

ILLUSTRATION SHOWS TYPICAL PARTS ONLY. ORDER BY PART NUMBER. PARTS NOT LISTED ARE SUPPLIED BY OEM.

VIEW 1 OF 3



Engine Parts List #1

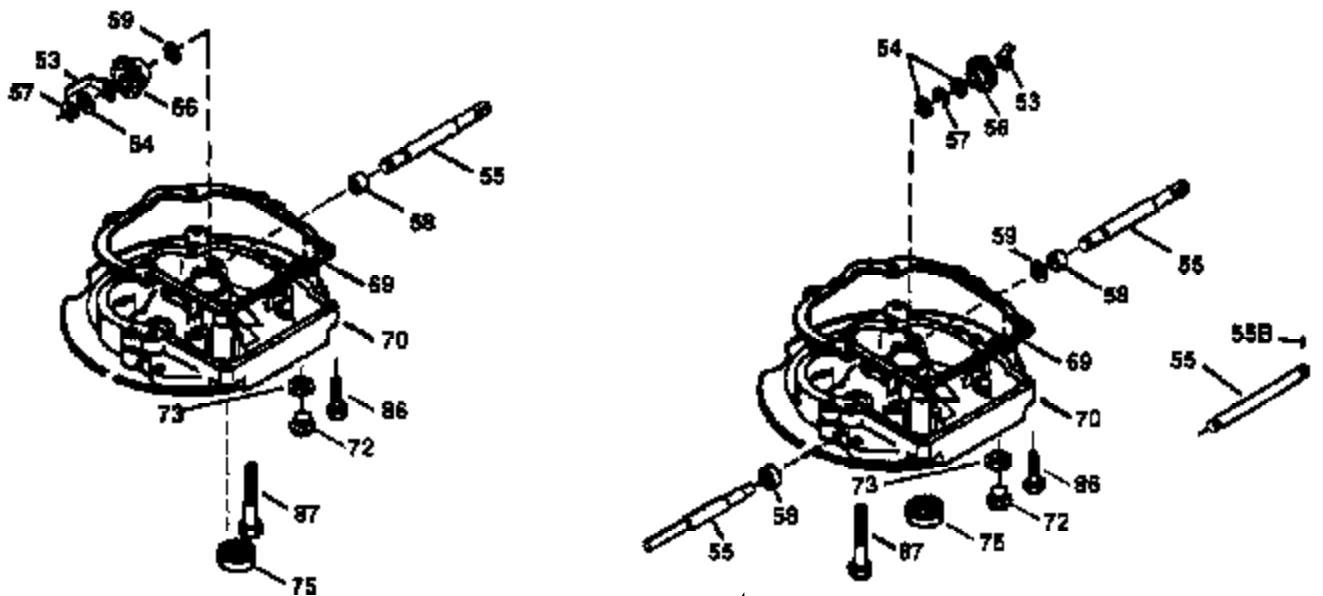
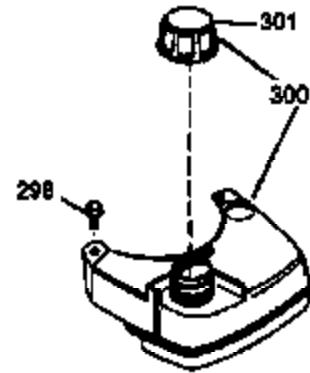
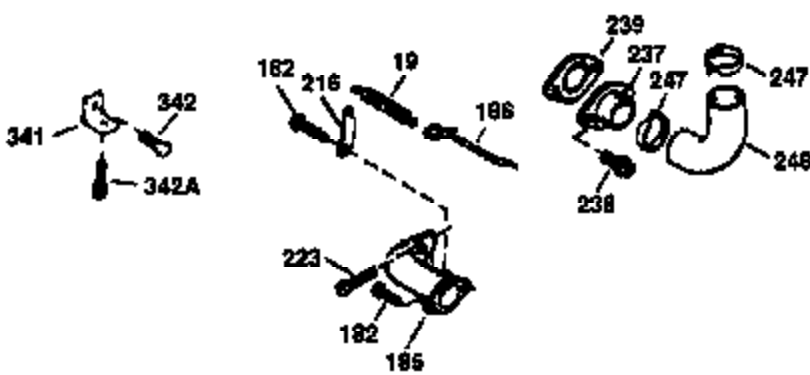
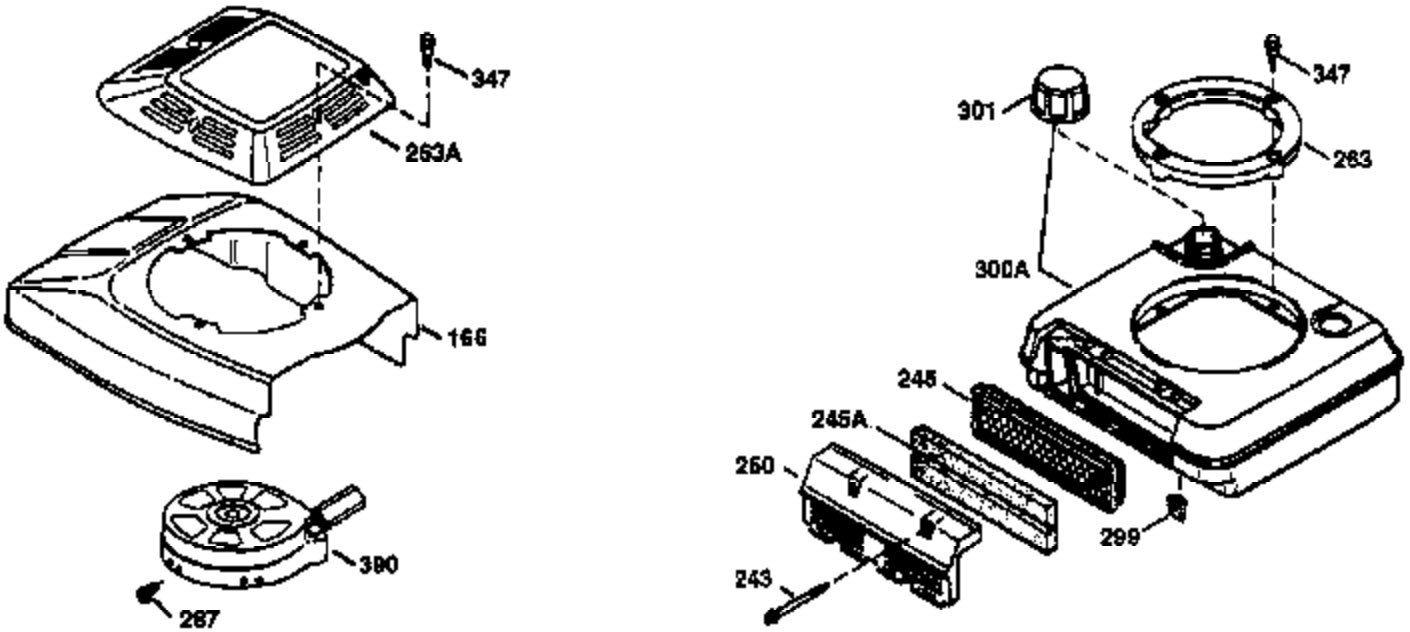
Ref #	Part Number	Qty	Description
	1 36478	1	Cylinder (Incl. 2,20 & 125)
	2 26727	2	Dowel Pin
	6 33734	1	Breather Element
	7 34214A	1	Breather Ass'y. (Incl. 6,8,9,12,12B)
	8 33735	1	* Breather Gasket
	9 30200	2	Screw, 10-24 x 9/16"
12B	34695	1	Breather Tube Elbow
	12 33886	1	Breather Tube
	14 28277	1	Washer
	15 30589	1	Governor Rod (Incl. 14)
	16 31383A	1	Governor Lever
	17 31335	1	Governor Lever Clamp
	18 650548	1	Screw, 8-32 x 5/16"
	19 31361	1	Extension Spring
	20 32600	1	Oil Seal
	30 35606	1	Crankshaft
	40 36073	1	Piston, Pin & Ring Set (Std.)
	40 36074	1	Piston, Pin & Ring Set (.010" OS)
	40 36075	1	Piston, Pin & Ring Set (.020" OS)
	41 36070	1	Piston & Pin Ass'y. (Std.) (Incl. 43)
	41 36071	1	Piston & Pin Ass'y. (.010" OS) (Incl. 43)
	41 36072	1	Piston & Pin Ass'y. (.020" OS) (Incl. 43)
	42 36076	1	Ring Set (Std.)
	42 36077	1	Ring Set (.010" OS)
	42 36078	1	Ring Set (.020" OS)
	43 20381	2	Piston Pin Retaining Ring
	45 30963B	1	Connecting Rod Ass'y. (Incl. 46)
	46 32610A	2	Connecting Rod Bolt
	48 27241	2	Valve Lifter
	50 35990	1	Camshaft (BCR)
	52 29914	1	Oil Pump Ass'y.
	69 35261	1	* Mounting Flange Gasket
	70 34311D	1	Mounting Flange (Incl. 72 thru 83)
72A	9556	1	Oil Drain Plug
	72 36083	1	Oil Drain Plug
	75 27897	1	Oil Seal
	80 30574A	1	Governor Shaft
	81 30590A	1	Washer
	82 30591	1	Governor Gear Ass'y.(Incl. 81)
	83 30588A	1	Governor Spool
	86 650488	6	Screw, 1/4-20 x 1-1/4"
	89 611004	1	Flywheel Key
	90 611112	1	Flywheel
	92 650815	1	Belleville Washer
	93 650816	1	Flywheel Nut
	100 34443A	1	Solid State Ignition
	101 610118	1	Spark Plug Cover
	103 650814	2	Screw, Torx T-15, 10-24 x 1"
	110 34961	1	Ground Wire
	119 36477	1	* Cylinder Head Gasket
	120 36476	1	Cylinder Head
	125 36471	1	Exhaust Valve (Std.) (Incl. 151)
	125 36472	1	Exhaust Valve (1/32" OS) (Incl. 151)
	126 29314B	1	Intake Valve (Std.) (Incl. 151)
	126 29315C	1	Intake Valve (1/32" OS) (Incl. 151)
	130 6021A	8	Screw, 5/16-18 x 1-1/2"
	135 35395	1	Resistor Spark Plug (RJ19LM)
	150 35991	2	Valve Spring

Ref #	Part Number	Qty	Description
151	31673	2	Valve Spring Cap
169	27234A	1	* Valve Cover Gasket
172	32755	1	Valve Cover
174	30200	2	Screw, 10-24 x 9/16"
178	29752	2	Nut & Lock Washer, 1/4-28
182	6201	2	Screw, 1/4-28 x 7/8"
184	26756	1	* Carburetor To Intake Pipe Gasket
185	31384A	1	Intake Pipe (Incl. 224)
186	35932	1	Governor Link
189	650839	2	Screw, 1/4-20 x 3/8"
190	35831	1	Brake Lever
191	35040B	1	S.E. Brake Bracket (Incl. 195)
192	34966	1	Brake Control Link
193	35830	1	Brake Spring
194	32309	1	Retaining Ring
195	610973	1	Terminal
200	33205A	1	Control Bracket (Incl. 202 thru 205)
202	36482	1	Compression Spring
203	31342	1	Compression Spring
204	650549	1	Screw, 5-40 x 7/16"
205	650777	1	Screw, 6-32 x 21/32"
207	34336	1	Throttle Link
209	30200	2	Screw, 10-24 x 9/16"
215	32410	1	Control Knob
223	650451	2	Screw, 1/4-20 x 1"
224	34690A	1	* Intake Pipe Gasket
238	650932	2	Screw, 10-32 x 49/64"
245	35066	1	Air Cleaner Filter
250	35065	1	Air Cleaner Cover
260	36420A	1	Blower Housing
261	30200	2	Screw, 10-24 x 9/16"
262	650831	2	Screw, 1/4-20 x 1/2"
275	35708	1	Muffler (Incl. 277)
277	650795	2	Screw, 1/4-20 x 2-1/4"
285	35000	1	Starter Cup
287	650926	2	Screw, 8-32 x 21/64"
290	30705	1	Fuel Line
292	26460	2	Fuel Line Clamp
300	34369B	1	Fuel Tank (Incl. 292 & 301)
301	35355	1	Fuel Cap
305	35647	1	Oil Fill Tube
306	34265	1	* "O"-Ring
307	35499	1	"O"-Ring
309	650562	1	Screw, 10-32 x 1/2"
310	35648	1	Dipstick
313	34080	1	Spacer
327	35392	1	Starter Plug
370	36261	1	Instruction Decal
370A	36260	1	Primer Decal
370B	35167	1	Control Decal
380	632569	1	Carburetor (Incl. 184)
390	590694	1	Rewind Starter (NOTE: This engine could have been built with 590686 starter. Refer to the design of the air intake louvers for part identification. Individual starter parts do not interchange.)

Ref #	Part Number	Qty	Description
400	36481	1	* Gasket Set (Incl. items marked PK i n notes) Incl. part #'s: 26756 (1), 27234A (1), 33735 (1), 34265 (1), 34338 (1), 34690A (1), 35261 (1), 36477 (1)

ILLUSTRATION SHOWS TYPICAL PARTS ONLY. ORDER BY PART NUMBER. PARTS NOT LISTED ARE SUPPLIED BY OEM.

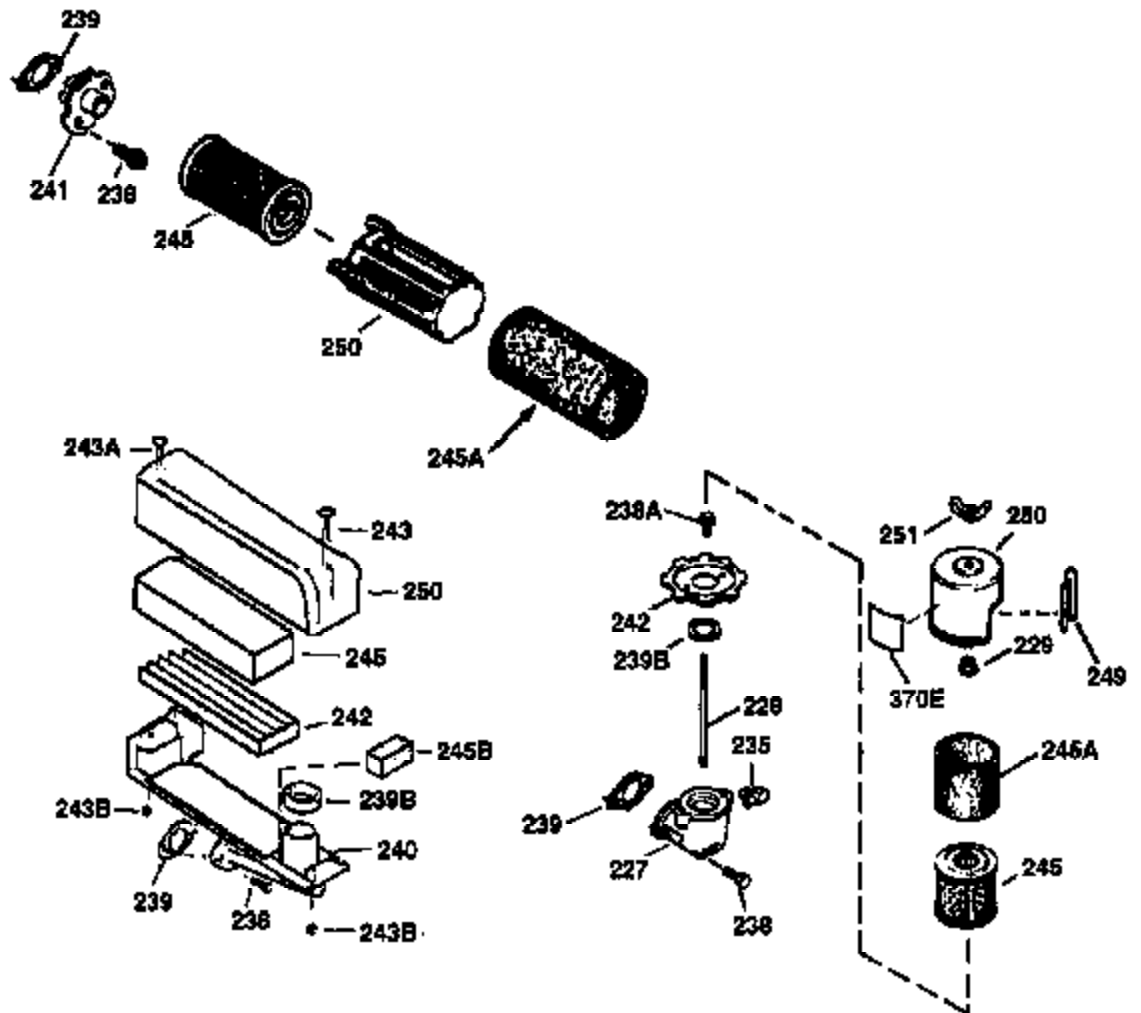
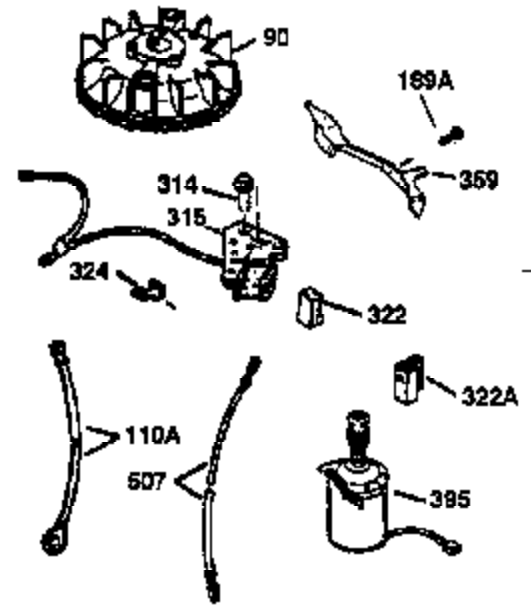
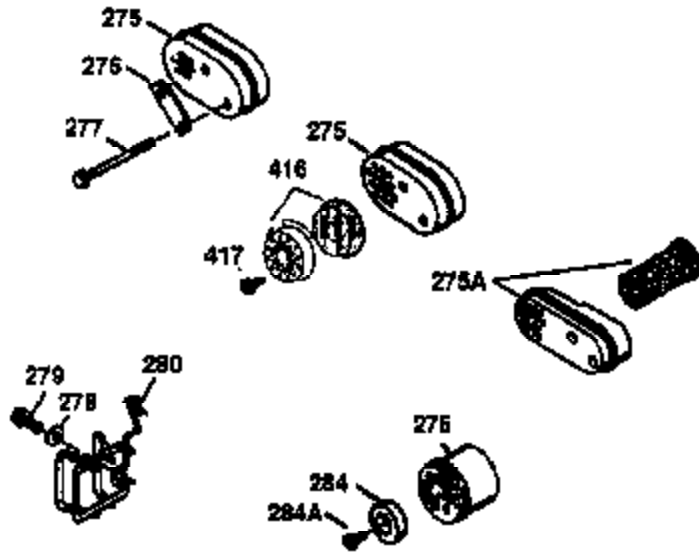
VIEW 2 OF 3



Ref #	Part Number	Qty	Description
19	31361	1	Extension Spring
69	35261	1	* Mounting Flange Gasket
70	34311D	1	Mounting Flange (Incl. 72 thru 83)
72	36083	1	Oil Drain Plug
75	27897	1	Oil Seal
86	650488	6	Screw, 1/4-20 x 1-1/4"
182	6201	2	Screw, 1/4-28 x 7/8"
185	31384A	1	Intake Pipe (Incl. 224)
186	35932	1	Governor Link
223	650451	2	Screw, 1/4-20 x 1"
238	650932	2	Screw, 10-32 x 49/64"
239	34338	1	* Air Cleaner Gasket
245	35066	1	Air Cleaner Filter
250	35065	1	Air Cleaner Cover
287	650926	2	Screw, 8-32 x 21/64"
298	28763	3	Screw, 10-32 x 35/64"
300	34369B	1	Fuel Tank (Incl. 292 & 301)
301	35355	1	Fuel Cap
390	590694	1	Rewind Starter (NOTE: This engine could have been built with 590686 starter. Refer to the design of the air intake louvers for part identification. Individual starter parts do not interchange.)

ILLUSTRATION SHOWS TYPICAL PARTS ONLY. ORDER BY PART NUMBER. PARTS NOT LISTED ARE SUPPLIED BY OEM.

VIEW 3 OF 3



Ref #	Part Number	Qty	Description
90	611112	1	Flywheel
238	650932	2	Screw, 10-32 x 49/64"
239	34338	1	* Air Cleaner Gasket
241	35797	1	Air Cleaner Collar
245	35066	1	Air Cleaner Filter
250	35065	1	Air Cleaner Cover
275	35708	1	Muffler (Incl. 277)
277	650795	2	Screw, 1/4-20 x 2-1/4"