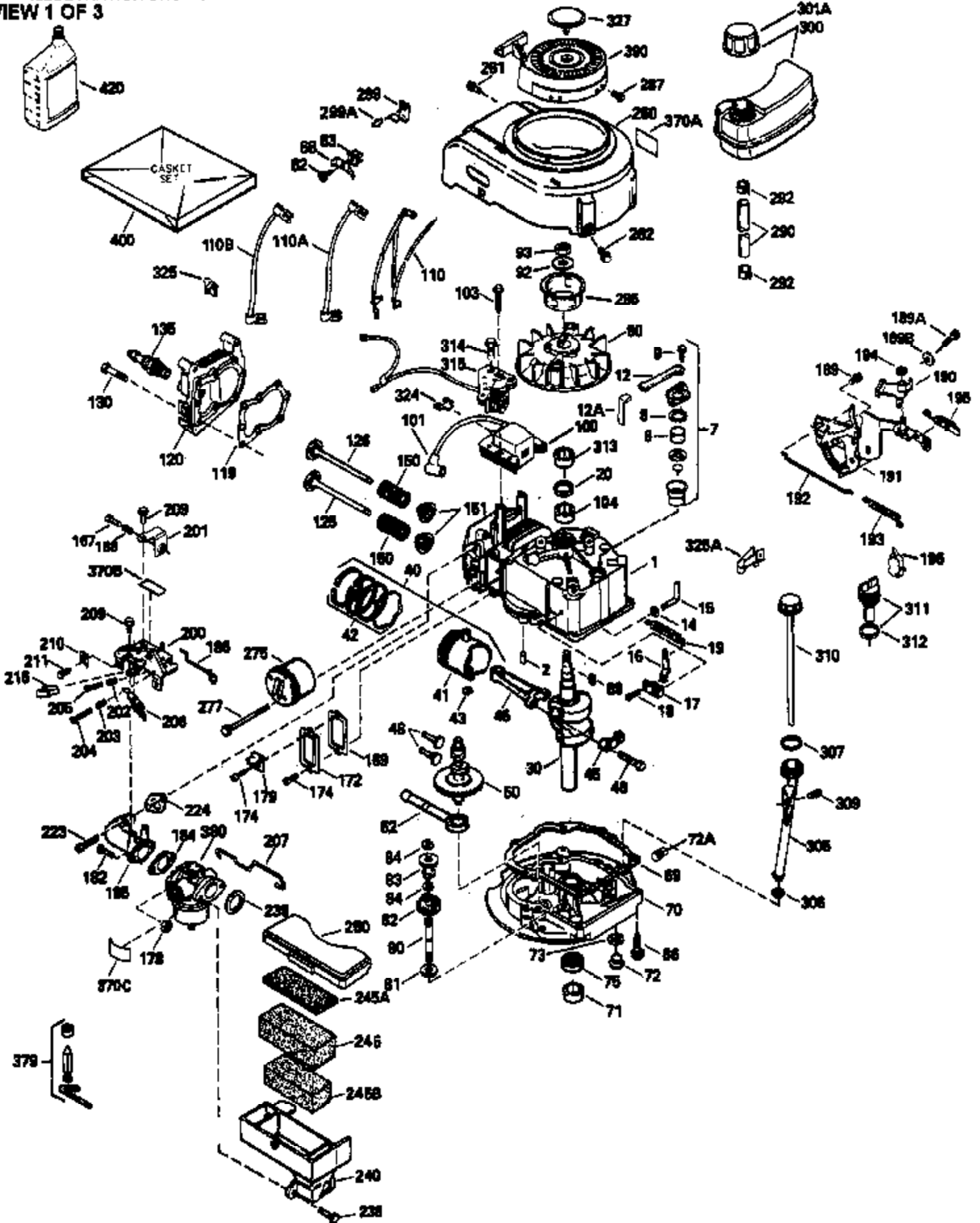


ILLUSTRATION SHOWS TYPICAL PARTS ONLY. ORDER BY PART NUMBER. PARTS NOT LISTED ARE SUPPLIED BY OEM.
VIEW 1 OF 3



Engine Parts List #1

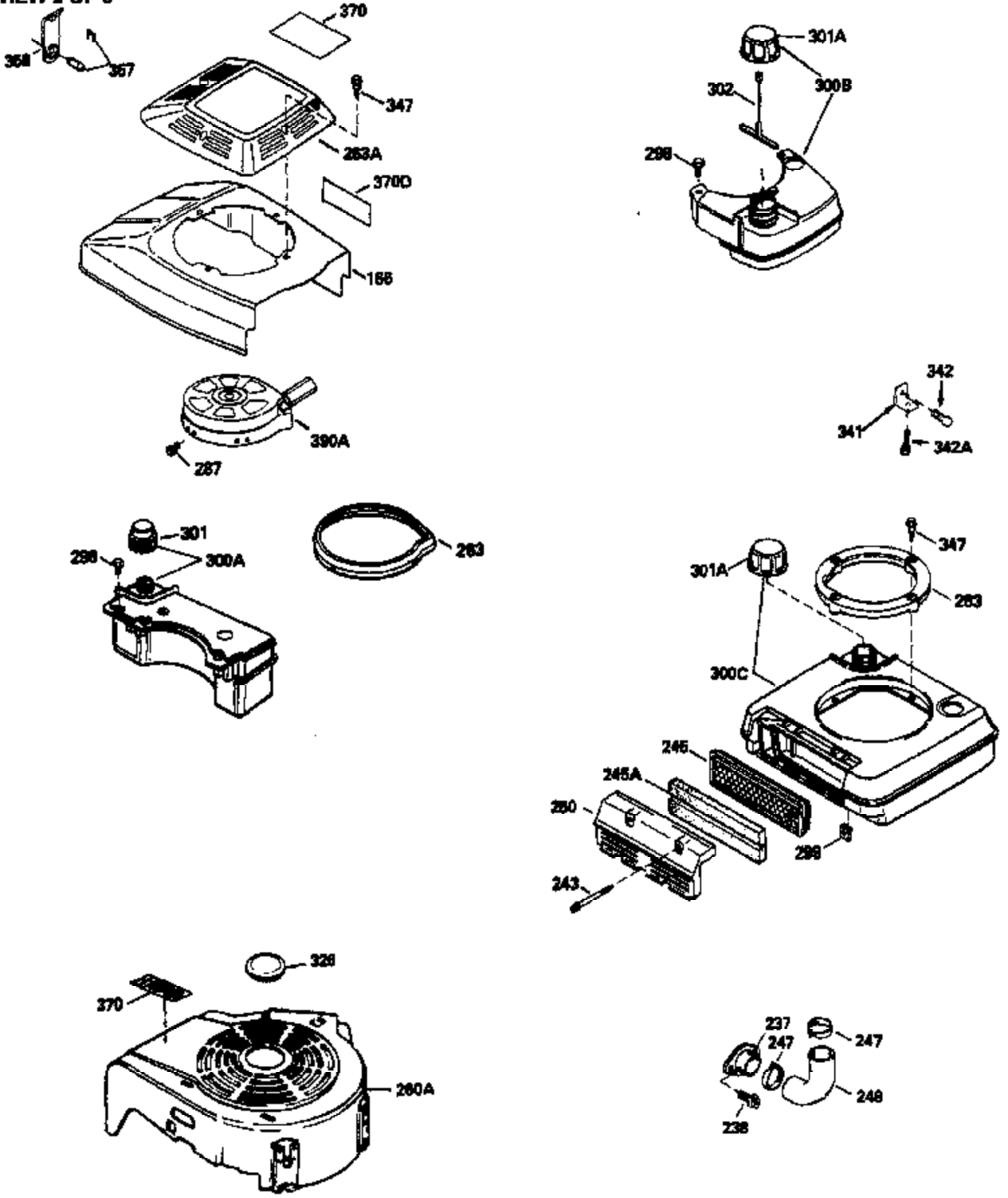
| Ref # | Part Number | Qty | Description |
|-------|-------------|-----|---|
| | 1 35513 | | Cylinder (Incl. 2 & 20) (2-5/8" Bore) |
| | 2 26727 | | Pin, Dowel |
| | 6 33734 | | Element, Breather |
| | 7 34214A | | Breather Assy. (Incl. 6, 8, 9, 12 & 1 2A) |
| | 8 33735 | | * Gasket, Breather |
| | 9 30200 | | Screw, 10-24 x 9/16" |
| | 12A 34695 | | Elbow, Breather tube |
| | 12 33886 | | Tube, Breather |
| | 14 28277 | | Washer, Flat |
| | 15 30589 | | Rod, Governor (Incl. 14) |
| | 16 31383A | | Lever, Governor |
| | 17 31335 | | Clamp, Governor lever |
| | 18 650548 | | Screw, 8-32 x 5/16" |
| | 19 31361 | | Spring, Extension |
| | 20 32600 | | Seal, Oil |
| | 30 34477B | | Crankshaft |
| | 40 35544 | | Piston, Pin & Ring Set (Std.) (2-5/8" Bore) |
| | 40 35545 | | Piston, Pin & Ring Set (.010" OS) |
| | 40 35546 | | Piston, Pin & Ring Set (.020" OS) |
| | 41 35541 | | Piston & Pin Ass'y. (Incl. 43)(Std.)(2-5/8") |
| | 41 35542 | | Piston & Pin Ass'y. (Incl. 43) (.010" OS) |
| | 41 35543 | | Piston & Pin Ass'y. (Incl. 43) (.020" OS) |
| | 42 35547 | | Ring Set (Std.) (2-5/8" Bore) |
| | 42 35548 | | Ring Set (.010" OS) |
| | 42 35549 | | Ring Set (.020" OS) |
| | 43 20381 | | Ring, Piston pin retaining |
| | 45 32875 | | Rod Assy., Connecting (Incl. 46) |
| | 46 32610A | | Bolt, Connecting rod |
| | 48 27241 | | Lifter, Valve |
| | 50 33553 | | Camshaft (MCR) |
| | 52 29914 | | Oil Pump Assy. |
| | 69 35261 | | * Gasket, Mounting flange |
| | 70 34311C | | Flange Ass'y. (Incl. 72, 72A, 73, 75 & 80) |
| | 72 30572 | | Plug, Oil drain (Incl. 73) |
| | 73 28833 | | * Drain Plug Gasket (Not req. W/plastic plug) |
| | 75 27897 | | Seal, Oil |
| | 80 30574 | | Shaft, Governor |
| | 81 30590A | | Washer, Flat |
| | 82 30591 | | Gear Assy., Governor (Incl. 81) |
| | 83 30588A | | Spool, Governor |
| | 84 29193 | | Ring, Retaining |
| | 86 650488 | | Screw, 1/4-20 x 1-1/4" |
| | 89 611004 | | Flywheel Key |
| | 90 611112 | | Flywheel |
| | 92 650815 | | Washer, Belleville |
| | 93 650816 | | Nut, Flywheel |
| | 100 34443A | | Solid State Ignition |
| | 101 610118 | | Cover, Spark plug |
| | 103 650814 | | Screw, Torx T-15, 10-24 x 1" |
| | 110 34961 | | Ground Wire |
| | 119 33015A | | * Gasket, Head |
| | 120 34342 | | Head, Cylinder |
| | 125 29314B | | Intake Valve (Std.) (Incl. 151) (Conventional Ports) |
| | 125 29315C | | Intake Valve (1/32" OS) (Incl. 151) (Conventional Ports) |
| | 126 29313C | | Exhaust Valve (Std.) (Incl. 151) (Conventional Ports) |
| | 126 29315C | | Exhaust Valve (1/32" OS) (Incl. 151) (Conventional Ports) |
| | 130 6021A | | Screw, 5/16-18 x 1-1/2" |
| | 135 35395 | | Resistor Spark Plug (RJ19LM) |

| Ref # | Part Number | Qty | Description |
|-------|-------------|-----|---|
| 150 | 31672 | | Spring, Valve |
| 151 | 31673 | | Cap, Lower valve spring |
| 169 | 27234A | | Gasket, Valve spring box cover |
| 172 | 32755 | | Cover, Valve spring box |
| 174 | 650128 | | Screw, 10-24 x 1/2" |
| 178 | 29752 | | Nut & Lockwasher, 1/4-28 |
| 182 | 6201 | | Screw, 1/4-28 x 7/8" |
| 184 | 26756 | | * Gasket, Carburetor |
| 185 | 31384A | | Pipe, Intake (Incl. 224) |
| 186 | 34337 | | Link, Governor spring |
| 189 | 650839 | | Screw, 1/4-20 x 3/8" |
| 190 | 35831 | | Lever, Brake |
| 191 | 35039B | | Bracket Assy., S.E. Brake (Incl. 195) |
| 192 | 34966 | | Link, Control |
| 193 | 34965 | | Spring, Extension |
| 194 | 32309 | | Ring, Retaining |
| 195 | 610973 | | Terminal Assy. |
| 200 | 35727 | | Control Bracket (Incl. 202 thru 206) |
| 202 | 33802 | | Spring, Compression |
| 203 | 31342 | | Spring, Compression |
| 204 | 650549 | | Screw, 5-40 x 7/16" |
| 205 | 650777 | | Screw, 6-32 x 21/32" |
| 207 | 34336 | | Link, Throttle |
| 209 | 30200 | | Screw, 10-24 x 9/16" |
| 215 | 35511 | | Knob, Control |
| 223 | 650451 | | Screw, 1/4-20 x 1" |
| 224 | 34690A | | * Gasket, Intake pipe |
| 238 | 650932 | | Screw, 10-32 x 49/64" |
| 239 | 34338 | | * Gasket, Air cleaner |
| 245 | 35066 | | Filter, Air cleaner |
| 246D | 35435 | | Filter, Pre-Air (Optional) |
| 250A | 35065 | | Cover Assy., Air cleaner |
| 260 | 35826 | | Housing, Blower |
| 261 | 30200 | | Screw, 10-24 x 9/16" |
| 262 | 650831 | | Screw, 1/4-20 x 15/32" |
| 263A | 35821 | | Grill, Starter |
| 277 | 650795 | | Screw, 1/4-20 x 2-1/4" (Use as required) |
| 285 | 35000 | | Hub, Starter |
| 287 | 650884 | | Screw, 8-32 x 1/2" |
| 290 | 34357 | | Fuel Line (Epichlorohydrin 6-3/4") (17 cm) |
| 290 | 29774 | | Fuel Line(Braided 8-1/4")(21 cm)(Use as req.) |
| 290 | 30705 | | Fuel Line (Braided 16") (40 cm) (Use as req.) |
| 290 | 30962 | | Fuel Line (Braided 32") (81 cm) (Use as req.) |
| 292 | 26460 | | Clamp, Fuel line |
| 300 | 35586 | | Fuel Tank (Incl. 292 & 301A) |
| 301A | 35355 | | Fuel Cap (Use as required) |
| 305 | 35819A | | Tube, Oil fill (Incl. 309) |
| 306 | 34265 | | Gasket, Oil fill tube |
| 307 | 35499 | | "O" Ring |
| 309 | 650936 | | Screw, 10-32 x 13/32" |
| 310 | 35822 | | Dipstick |
| 313 | 34080 | | Spacer, Flywheel key |
| 354 | 35025 | | Staple (Not used on all models) |
| 370B | 35841 | | Decal, Name |
| 370C | 35167 | | Decal, Throttle |
| 370F | 35847 | | Decal, Instruction |
| 370G | 34387 | | Decal, Instruction (Optional) |
| 379 | 631021 | | Inlet Needle, Seat & Clip Ass'y. |

| Ref # | Part Number | Qty | Description |
|-------|-------------|-----|--|
| 380 | 632078A | | Carburetor (Incl. 184) (Refer to Division 5, Section A, page A2-10 or Fiche 8A, Grid E-13 for breakdown) |
| 400 | 33238D | | * Gasket Set (Incl. items marked *) |
| 420 | 730225 | | SAE 30, 4-Cycle Engine Oil (Quart) |

ILLUSTRATION SHOWS TYPICAL PARTS ONLY. ORDER BY PART NUMBER. PARTS NOT LISTED ARE SUPPLIED BY OEM.

VIEW 2 OF 3

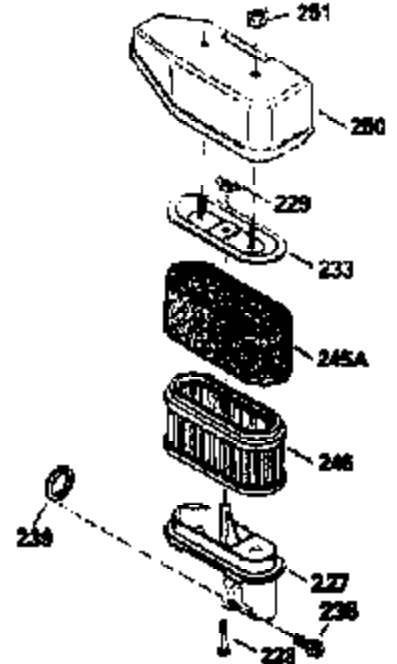
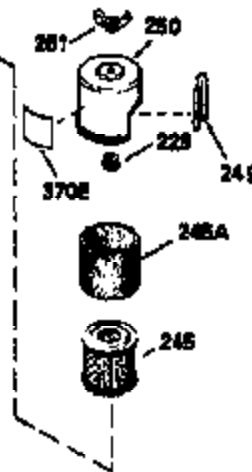
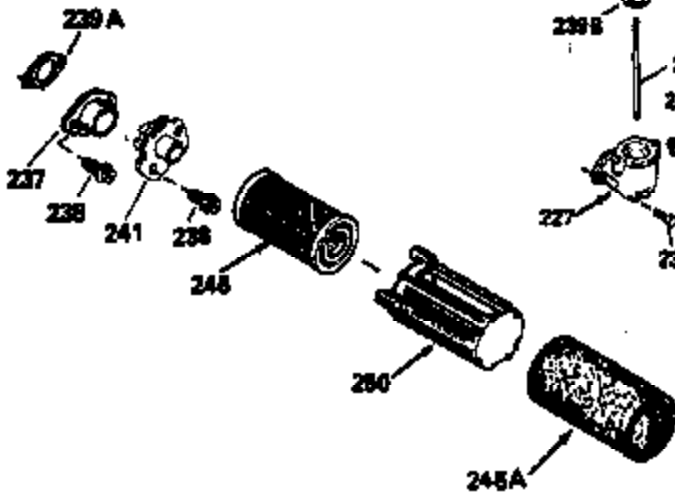
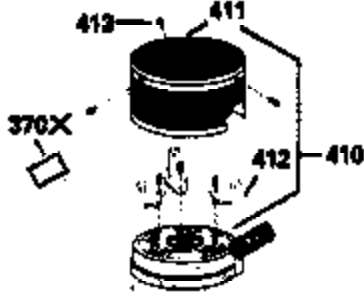
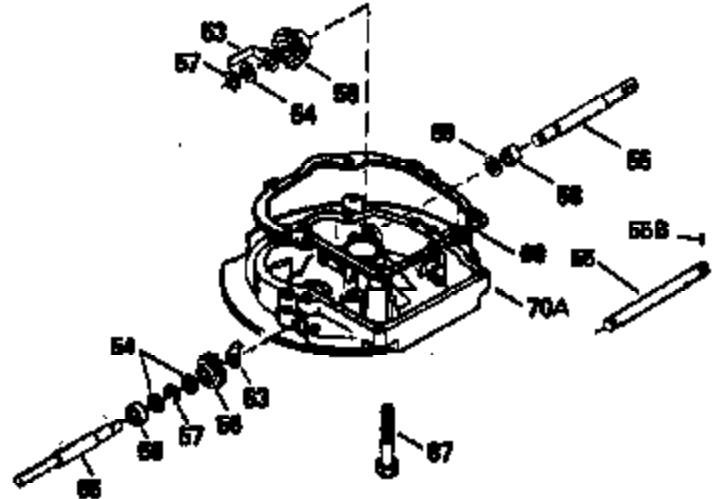
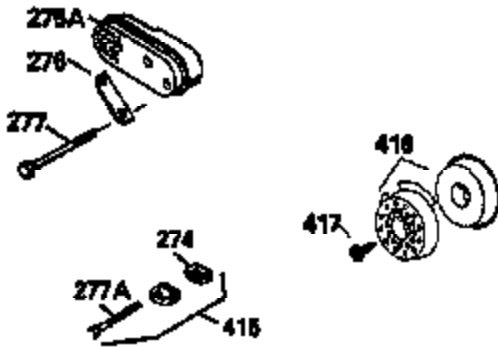
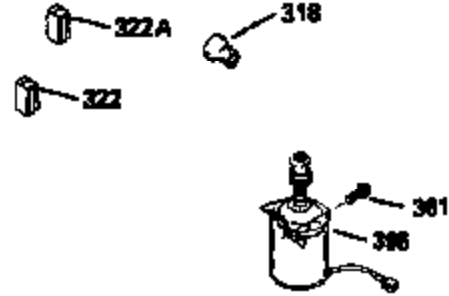


Engine Parts List #2

| Ref # | Part Number | Qty | Description |
|-------|-------------|-----|--|
| 166 | 35827 | | Shroud, Engine |
| 238 | 650932 | | Screw, 10-32 x 49/64" |
| 245 | 35066 | | Filter, Air cleaner |
| 246D | 35435 | | Filter, Pre-Air (Optional) |
| 250A | 35065 | | Cover Assy., Air cleaner |
| 263A | 35821 | | Grill, Starter |
| 287 | 650884 | | Screw, 8-32 x 1/2" |
| 301A | 35355 | | Fuel Cap (Use as required) |
| 347 | 650898 | | Screw, 10-32 x 27/32" |
| 354 | 35025 | | Staple (Not used on all models) |
| 357 | 34985 | | Rope Stop & Staple Assy. (Incl. 354) |
| 370F | 35847 | | Decal, Instruction |
| 370G | 34387 | | Decal, Instruction (Optional) |
| 370C | 35167 | | Decal, Throttle |
| 390A | 590637 | | Rewind Starter (Refer to Division 5, Section C, page 34 or Fiche 8A, Grid G-5 for breakdown) |

ILLUSTRATION SHOWS TYPICAL PARTS ONLY. ORDER BY PART NUMBER. PARTS NOT LISTED ARE SUPPLIED BY OEM.

VIEW 3 OF 3



| Ref # | Part Number | Qty | Description |
|-------|-------------|-----|--|
| 19 | 31361 | | Spring, Extension |
| 69 | 35261 | | * Gasket, Mounting flange |
| 182 | 6201 | | Screw, 1/4-28 x 7/8" |
| 185 | 31384A | | Pipe, Intake (Incl. 224) |
| 186 | 34337 | | Link, Governor spring |
| 223 | 650451 | | Screw, 1/4-20 x 1" |
| 238 | 650932 | | Screw, 10-32 x 49/64" |
| 239 | 34338 | | * Gasket, Air cleaner |
| 241 | 35797 | | Collar, Air cleaner |
| 245 | 35066 | | Filter, Air cleaner |
| 246D | 35435 | | Filter, Pre-Air (Optional) |
| 250A | 35065 | | Cover Assy., Air cleaner |
| 260 | 35826 | | Housing, Blower |
| 263A | 35821 | | Grill, Starter |
| 275A | 34613 | | Muffler |
| 276 | 33753 | | Plate, Locking |
| 277A | 30063 | | Screw, Torx T-30, 1/4-20 x 1/2" (Use as req.) |
| 277 | 650795 | | Screw, 1/4-20 x 2-1/4" (Use as requir ed) |
| 354 | 35025 | | Staple (Not used on all models) |
| 370F | 35847 | | Decal, Instruction |
| 370C | 35167 | | Decal, Throttle |
| 370G | 34387 | | Decal, Instruction (Optional) |
| 410 | 730574 | | Opt.Debris Screen Kit (Incl.370G,411, 412,413) |
| 411 | 35596 | | Debris Screen (Optional) |
| 412 | 35597 | | Debris Screen Bracket (Optional) |
| 413 | 650910 | | Screw, 8-32 x 1/4 (Optional) |
| 415 | 730162 | | Muffler Adapter Kit(In.274,277A)(Use as req.) |