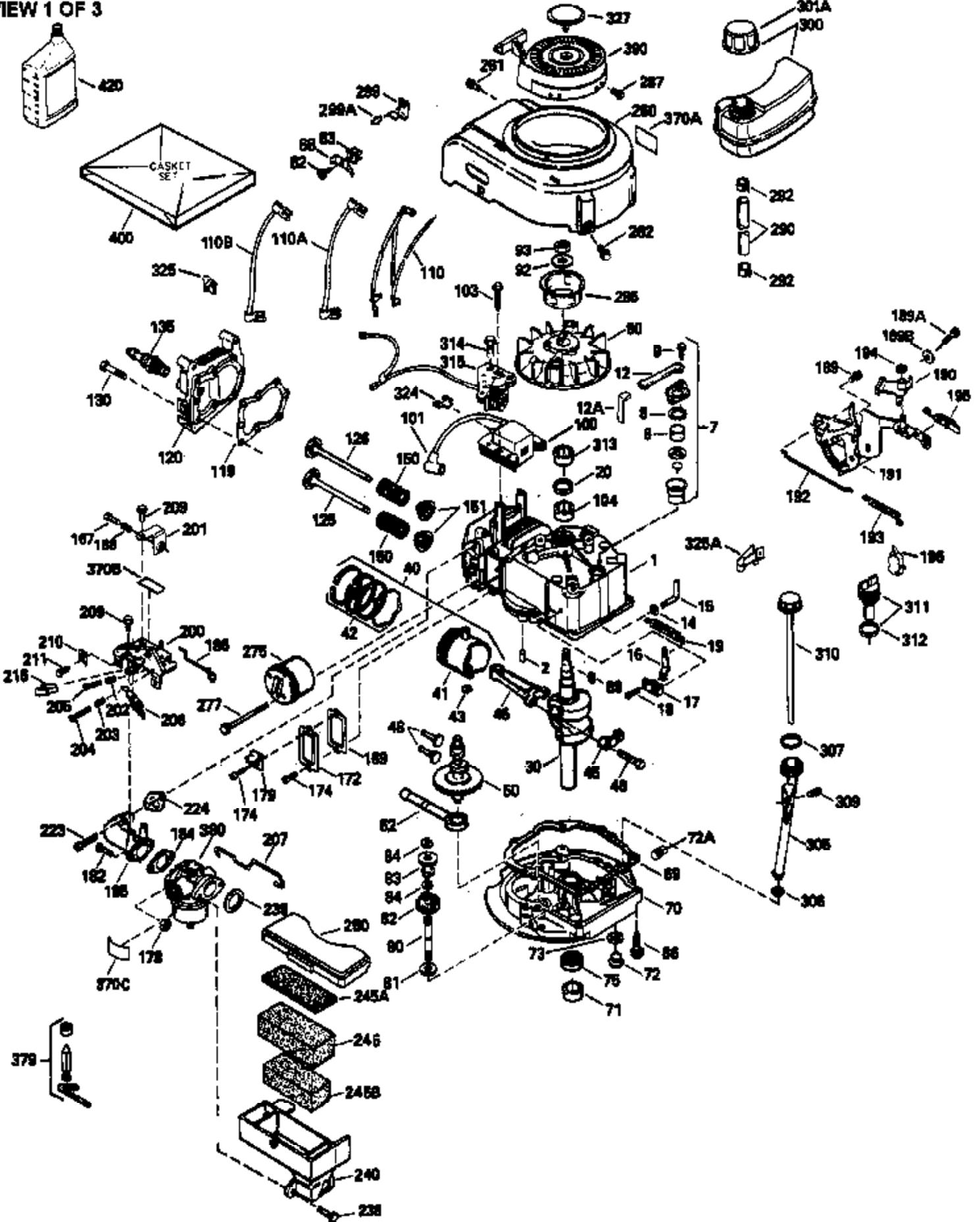


ILLUSTRATION SHOWS TYPICAL PARTS ONLY. ORDER BY PART NUMBER. PARTS NOT LISTED ARE SUPPLIED BY OEM.  
VIEW 1 OF 3



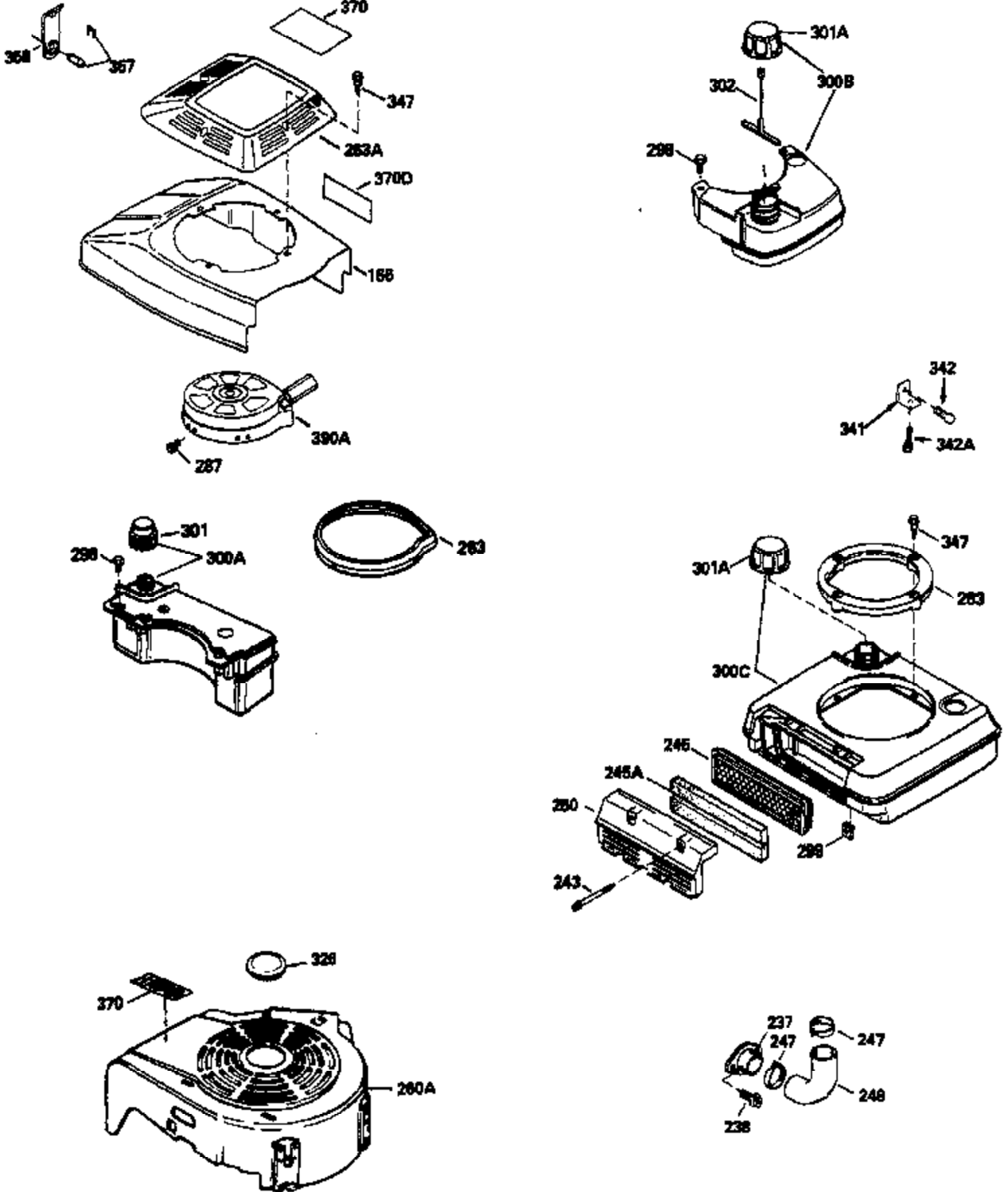
Ref #	Part Number	Qty	Description
	1 35010		Cylinder (Incl. 2 & 20) (2-5/8" Bore)
	2 26727		Pin, Dowel
	6 33734		Element, Breather
	7 34214A		Breather Assy. (Incl. 6, 8, 9, 12 & 1 2A)
	8 33735		* Gasket, Breather
	9 30200		Screw, 10-24 x 9/16"
	12 35496		Tube, Breather
	14 28277		Washer, Flat
	15 30589		Rod, Governor (Incl. 14)
	16 31383A		Lever, Governor
	17 31335		Clamp, Governor lever
	18 650548		Screw, 8-32 x 5/16"
	19 31361		Spring, Extension
	20 32600		Seal, Oil
	30 35782		Crankshaft
	40 35544		Piston, Pin & Ring Set (Std.) (2-5/8" Bore)
	40 35545		Piston, Pin & Ring Set (.010" OS)
	40 35546		Piston, Pin & Ring Set (.020" OS)
	41 35541		Piston & Pin Ass'y. (Incl. 43)(Std.)( 2-5/8")
	41 35542		Piston & Pin Ass'y. (Incl. 43) (.010" OS)
	41 35543		Piston & Pin Ass'y. (Incl. 43) (.020" OS)
	42 35547		Ring Set (Std.) (2-5/8" Bore)
	42 35548		Ring Set (.010" OS)
	42 35549		Ring Set (.020" OS)
	43 20381		Ring, Piston pin retaining
	45 32875		Rod Assy., Connecting (Incl. 46)
	46 32610A		Bolt, Connecting rod
	48 27241		Lifter, Valve
	50 33553		Camshaft (MCR)
	52 29914		Oil Pump Assy.
	69 35261		* Gasket, Mounting flange
	70 34311C		Flange Ass'y. (Incl. 72, 72A, 73, 75 & 80)
	72 30572		Plug, Oil drain (Incl. 73)
	73 28833		* Drain Plug Gasket (Not req. W/plastic plug)
	75 27897		Seal, Oil
	80 30574		Shaft, Governor
	81 30590A		Washer, Flat
	82 30591		Gear Assy., Governor (Incl. 81)
	83 30588A		Spool, Governor
	84 29193		Ring, Retaining
	86 650488		Screw, 1/4-20 x 1-1/4"
	89 611004		Flywheel Key
	90 611112		Flywheel
	92 650815		Washer, Belleville
	93 650816		Nut, Flywheel
	100 34443A		Solid State Ignition
	101 610118		Cover, Spark plug
	103 650814		Screw, Torx T-15, 10-24 x 1"
	110A 35017		Harness Assy.
	119 33015A		* Gasket, Head
	120 34342		Head, Cylinder
	125 29314B		Intake Valve (Std.) (Incl. 151) (Conventional Ports)
	125 29315C		Intake Valve (1/32" OS) (Incl. 151) (Conventional Ports)
	126 29313C		Exhaust Valve (Std.) (Incl. 151) (Conventional Ports)
	126 29315C		Exhaust Valve (1/32" OS) (Incl. 151) (Conventional Ports)
	130 6021A		Screw, 5/16-18 x 1-1/2"
	135 35395		Resistor Spark Plug (RJ19LM)
	150 31672		Spring, Valve

Ref #	Part Number	Qty	Description
151	31673		Cap, Lower valve spring
169	27234A		Gasket, Valve spring box cover
172	32755		Cover, Valve spring box
174	650128		Screw, 10-24 x 1/2"
178	29752		Nut & Lockwasher, 1/4-28
182	6201		Screw, 1/4-28 x 7/8"
184	26756		* Gasket, Carburetor
185	31384A		Pipe, Intake (Incl. 224)
186	34337		Link, Governor spring
189	650839		Screw, 1/4-20 x 3/8"
190	35831		Lever, Brake
191	35041A		Bracket Assy., S.E. Brake (Incl. 195)
192	34966		Link, Control
193	34965		Spring, Extension
194	32309		Ring, Retaining
195	610973		Terminal Assy.
200	33131A		Control Bracket (Incl. 202 thru 206)
202	33802		Spring, Compression
203	31342		Spring, Compression
204	650549		Screw, 5-40 x 7/16"
205	650777		Screw, 6-32 x 21/32"
206	610973		Terminal
207	34336		Link, Throttle
209	30200		Screw, 10-24 x 9/16"
210	27793		Clip, Conduit
211	28942		Screw, 10-32 x 3/8"
223	650451		Screw, 1/4-20 x 1"
224	34690A		* Gasket, Intake pipe
243A	650899		Screw, 10-32 x 2-3/32"
245B	35500		Filter, Air cleaner
246D	35435		Filter, Pre-Air (Optional)
250B	35503		Cover, Air cleaner
260	35497		Housing, Blower
261	30200		Screw, 10-24 x 9/16"
262	650831		Screw, 1/4-20 x 15/32"
277	650795		Screw, 1/4-20 x 2-1/4" (Use as required)
285	35000		Hub, Starter
287	650884		Screw, 8-32 x 1/2"
290	34357		Fuel Line (Epichlorohydrin 6-3/4") (1 7 cm)
290	29774		Fuel Line(Braided 8-1/4")(21 cm)(Use as req.)
290	30705		Fuel Line (Braided 16") (40 cm) (Use as req.)
290	30962		Fuel Line (Braided 32") (81 cm) (Use as req.)
292	26460		Clamp, Fuel line
299	650900		Clip, "U" type nut, 10-32
301A	35355		Fuel Cap (Use as required)
305	35498		Tube, Oil fill
306	34265		Gasket, Oil fill tube
307	35499		"O" Ring
309	650562		Screw, 10-32 x 1/2"
310	35507		Dipstick
313	34080		Spacer, Flywheel key
327	35392		Plug, Starter
370G	34387		Decal, Instruction (Optional)
379	631021		Inlet Needle, Seat & Clip Ass'y.
380	632611		Carburetor (Incl. 184) (Refer to Division 5, Sec. A, pg A2-12 or Fiche 8A, Grid F-1 for breakdown)

Ref #	Part Number	Qty	Description
390	590621		Rewind Starter (Refer to Division 5, Section C, page 34 or Fiche 8A, Grid G-5 for breakdown)
400	33238D		* Gasket Set (Incl. items marked *)
420	730225		SAE 30, 4-Cycle Engine Oil (Quart)

ILLUSTRATION SHOWS TYPICAL PARTS ONLY. ORDER BY PART NUMBER. PARTS NOT LISTED ARE SUPPLIED BY OEM.

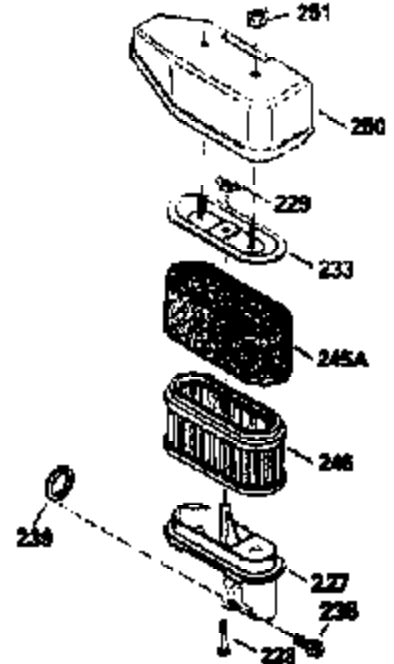
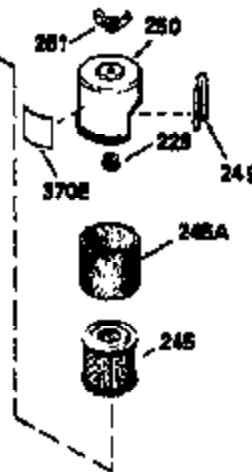
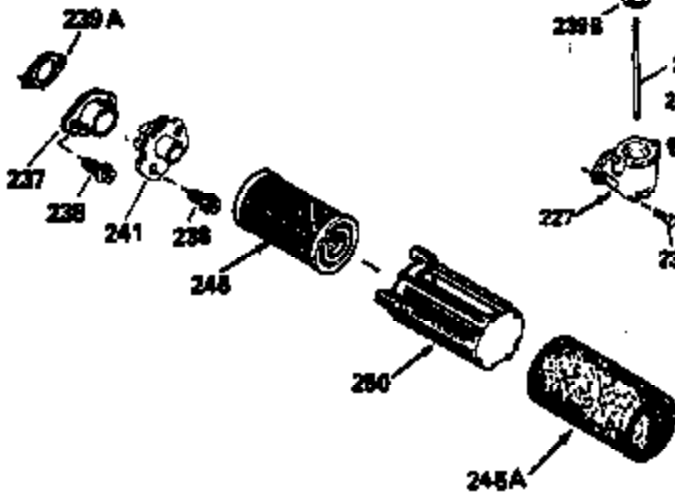
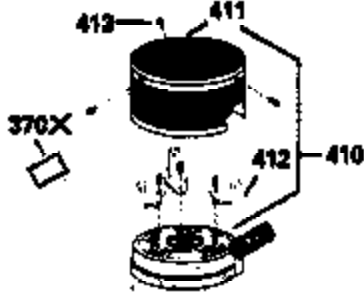
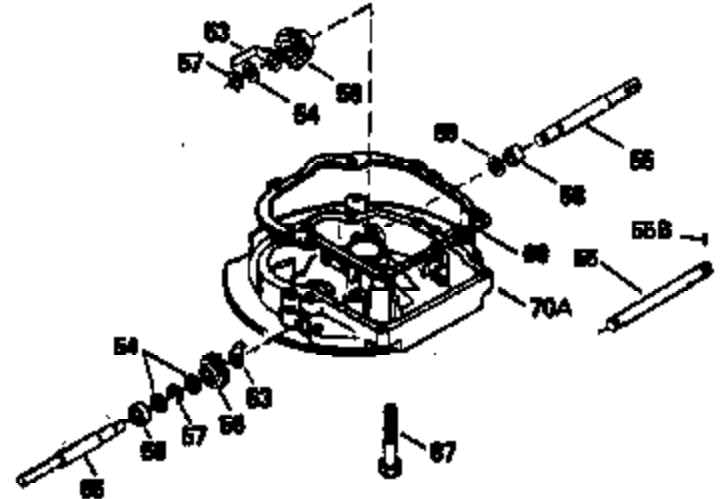
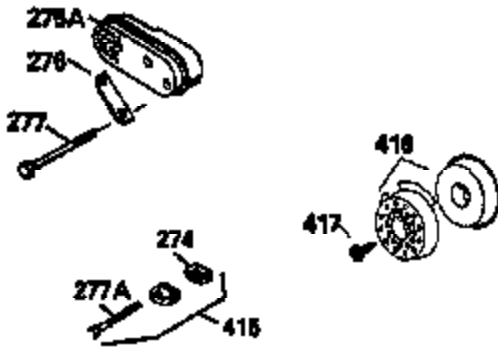
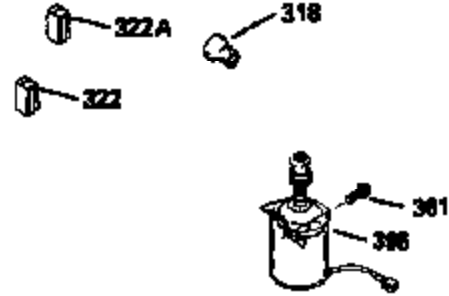
VIEW 2 OF 3



Ref #	Part Number	Qty	Description
243A	650899		Screw, 10-32 x 2-3/32"
246D	35435		Filter, Pre-Air (Optional)
247	35505		Clamp, Air cleaner tube
248	35504		Tube, Air cleaner
250B	35503		Cover, Air cleaner
263	35502		Ring, Shroud
287	650884		Screw, 8-32 x 1/2"
299	650900		Clip, "U" type nut, 10-32
300C	35501A		Shroud & Tank Ass'y. (Incl. 299 & 301 A)
301A	35355		Fuel Cap (Use as required)
347	650898		Screw, 10-32 x 27/32"
370G	34387		Decal, Instruction (Optional)

ILLUSTRATION SHOWS TYPICAL PARTS ONLY. ORDER BY PART NUMBER. PARTS NOT LISTED ARE SUPPLIED BY OEM.

VIEW 3 OF 3



Ref #	Part Number	Qty	Description
19	31361		Spring, Extension
69	35261		* Gasket, Mounting flange
182	6201		Screw, 1/4-28 x 7/8"
185	31384A		Pipe, Intake (Incl. 224)
186	34337		Link, Governor spring
223	650451		Screw, 1/4-20 x 1"
243A	650899		Screw, 10-32 x 2-3/32"
246D	35435		Filter, Pre-Air (Optional)
250B	35503		Cover, Air cleaner
260	35497		Housing, Blower
275A	391019		Muffler
276	33753		Plate, Locking
277A	30063		Screw, Torx T-30, 1/4-20 x 1/2" (Use as req.)
277	650795		Screw, 1/4-20 x 2-1/4" (Use as requir ed)
370G	34387		Decal, Instruction (Optional)
410	730574		Opt.Debris Screen Kit (Incl.370G,411, 412,413)
411	35596		Debris Screen (Optional)
412	35597		Debris Screen Bracket (Optional)
413	650910		Screw, 8-32 x 1/4 (Optional)
415	730162		Muffler Adapter Kit(In.274,277A)(Use as req.)