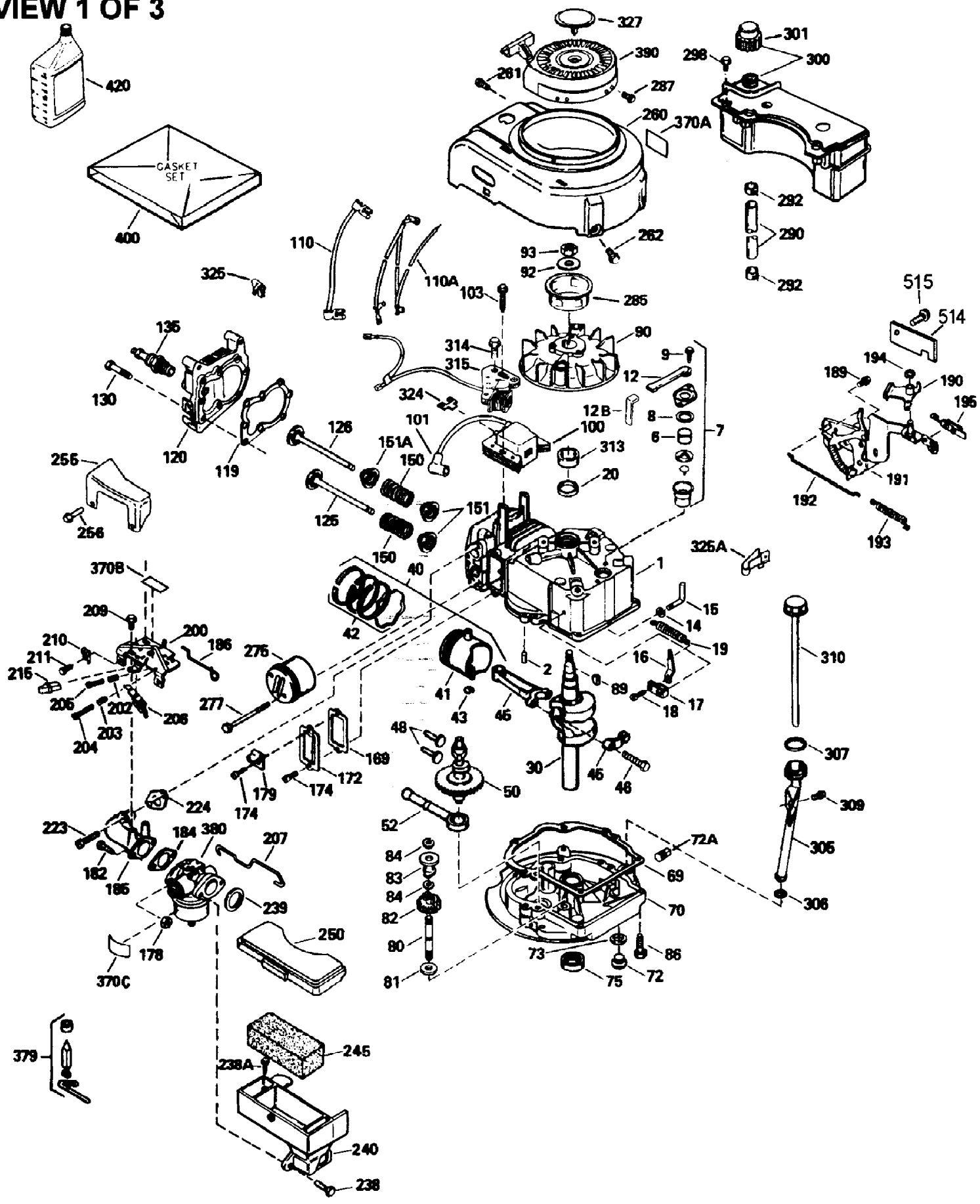


VIEW 1 OF 3



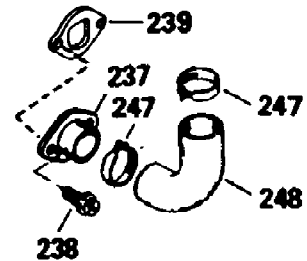
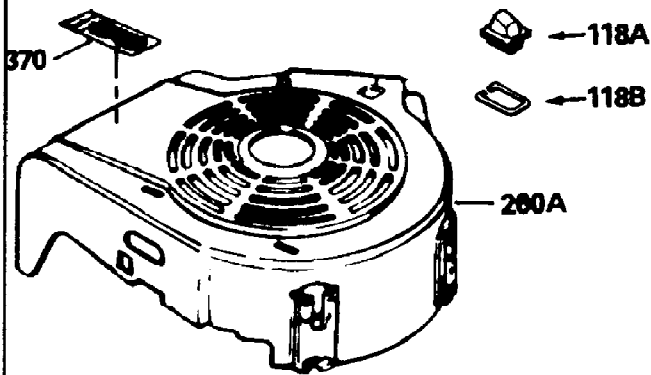
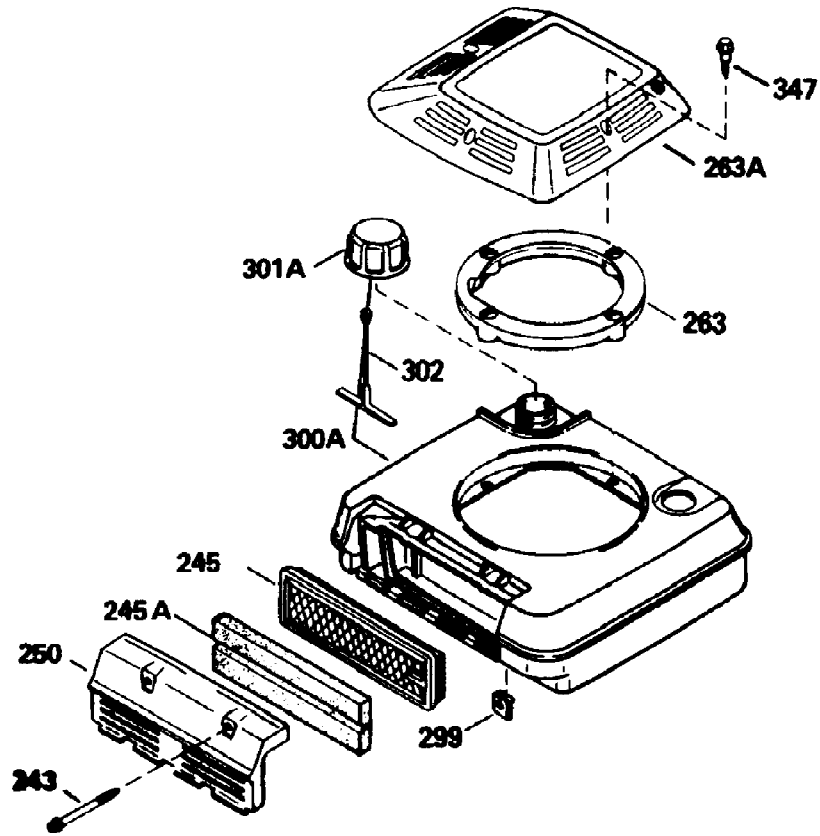
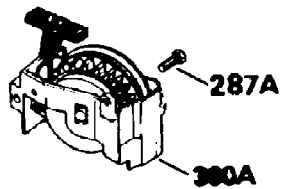
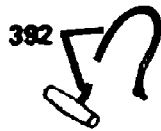
Ref #	Part Number	Qty	S/P/F	Description
1	35010	1	S/P	"Cylinder (Incl. 2 & 20)(2-5/8" Bore)
2	26727	1		Dowel Pin
6	33734	1		Element, Breather
7	34214A	1	S/P	Breather Ass'y. Incl. 6, 8, 9, 12 , & 12A
8	33735	1		* Gasket, Breather
9	30200	1	/P	Screw, 10-24 x 9/16"
12	35496	1		Tube, Breather
14	28277	1		Flat Washer
15	30589	1		Rod, Governor (Incl. 14)
16	31383A	1	/P	Lever, Governor
17	31335	1		Clamp, Governor lever
18	650548	1	S	Screw, 8-32 x 5/16"
19	31361	1		Spring, Extension
20	32600	1		Seal, Oil
30	35754	1		Crankshaft
40	35544	1	S/P	Piston, Pin & Ring Set (Std.) 2-5/8" Bore
40	35545	1	S/P	Piston, Pin & Ring Set (.010" OS)
40	35546	1	/P	Piston, Pin & Ring Set (.020" OS) (In cl. 41, 42 & 43)
41	35541	1		Piston & Pin Assembly (Std.) (Incl. 4 3) (2-5/8")
41	35542	1		Piston & Pin Assembly (.010" OS) (Inc l. 43) OS)
41	35543	1		Piston & Pin Assembly (.020" OS) (Inc l. 43) OS)
42	35547	1	S	Ring Set (Std.) (2-5/8" Bore)
42	35548	1	S	Ring Set (.010" OS)
42	35549	1		Ring Set (.020" OS)
43	20381	1		Piston Pin Retaining Ring
45	32875	1	S/P	Rod Assy., Connecting (Incl. 46)
46	32610A	1	/P	Bolt, Connecting rod
48	27241	1		Valve Lifter
50	33148A	1	S/P	Camshaft
52	29914	1		Oil Pump Ass'y.
69	35261	1	S/P	* Gasket, Mounting flange
70	34311C	1	S/P	Flange Ass'y. Incl. 72, 72A, 73, 75 & 80
72	30572	1	S/P	Plug, Oil drain (Incl. 73)
73	28833	1	/P	* Drain Plug Gasket Not req. W/plastic plug
75	27897	1		Oil Seal
80	30574	1	S/P	Shaft, Governor
81	30590A	1	/P	Washer, Flat
82	30591	1	/P	Gear Assy., Governor (Incl. 81)
83	30588A	1	/P	Spool, Governor
84	29193	1		Retaining Ring
86	650488	1	/P	Screw, 1/4-20 x 1-1/4"
89	611004	1		Flywheel Key (also available in Packa ged Part #740007B)
90	611299	1		Flywheel
92	650815	1	/P	Washer, Belleville
93	650816	1		Nut, Flywheel
100	34443A	1	S/P	Solid State Ignition

Ref #	Part Number	Qty	S/P/F	Description
100	730207	1	/P	Magneto-to-Solid State Conv. Kit (Inc ludes solid state module, solid state flywheel key, and instructions.) (Us e as required on external ignition engines only.)
101	610118	1		Cover, Spark plug (Use as required)
103	650814	1	S	Screw, Torx T-15, 10-24 x 1"
110	34961	1	S/P	Ground Wire
118	730194	1		Rope Guide Kit (Use as required)
119	33015A	1	/P	* Gasket, Head
120	34342	1	S	Head, Cylinder
125	29313C	1	/P	Exhaust Valve (Std.) (Incl. 151) (Inv erted Ports)
125	29314B	1	S/P	Intake Valve (Std.) (Incl. 151) (Conv entional Ports)
125	29315C	1	/P	Exhaust Valve (1/32" OS) (Incl. 151) (Conventional Ports)
126	29313C	1	/P	Exhaust Valve (Std.) (Incl. 151) (Con ventional Ports)
126	29315C	1	/P	Exhaust Valve (1/32" OS) (Incl. 151) (Conventional Ports)
126	32644A	1	/P	Intake Valve (Incl. 151) Inverted Po rts
126	34776	1	S/P	Exhaust Valve (Std.) (Incl. 151) (Con ventional Ports)
130	6021A	1	/P	Screw, 5/16-18 x 1-1/2" Use as requir ed
130	650697A	1	/P	Screw, 5/16-18 x 2-1/2" Use as requir ed
135	35395	1	/P	Resistor Spark Plug (RJ19LM) also ava ilable in Packaged Part #740081
150	31672	1	/P	Spring, Valve
151	31673	1		Cap, Lower valve spring
169	27234A	1	/P	Valve Cover Gasket
172	32755	1		Cover, Valve spring box
174	650128	1	/P	Screw, 10-24 x 1/2"
178	29752	1	/P	Nut & Lock Washer 1/4-28
182	6201	1	/P	Screw, 1/4-28 x 7/8"
184	26756	1	/P	* Gasket, Carburetor
185	31384A	1	/P	Pipe, Intake (Incl. 224)
186	34337	1		Link, Governor spring
189	650839	1		Screw, 1/4-20 x 3/8"
190	35831	1	/P	Lever, Brake
191	35015B	1	/P	S.E. Brake Bracket (Incl. 195)
192	34966	1		Link, Control
193	34965	1		Spring, Extension
194	32309	1	/P	Ring, Retaining
195	610973	1		Terminal Assy.
200	33131A	1	/P	Control Bracket (Incl. 202 thru 206)
202	33802	1	S	Spring, Compression
203	31342	1		Spring, Compression
204	650549	1	S	Screw, 5-40 x 7/16"
205	650777	1	S/P	Screw, 6-32 x 21/32"

Ref #	Part Number	Qty	S/P/F	Description
206	610973	1		Terminal (Use as required)
207	34336	1	S	Link, Throttle
209	30200	1	/P	Screw, 10-24 x 9/16"
210	27793	1	/P	Conduit Clip
211	28942	1	/P	Screw, 10-32 x 3/8"
223	650451	1	/P	Screw, 1/4-20 x 1"
224	34690A	1	/P	* Gasket, Intake pipe
238	650709	1		Screw, 10-32 x 7/16"
239A	35815	1	/P	Air Filter Gasket
245F	35500	1		Air Filter (also available in Package d Part #740013B)
246E	35435	1	/P	Filter, Pre-air (Use as required)
247C	35505	1		Clamp, Air cleaner tube
250E	35503	1		Cover, Air cleaner
260B	35497	1		Housing, Blower
261	30200	1	/P	Screw, 10-24 x 9/16"
262	650831	1		Screw, 1/4-20 x 15/32"
277	650774	1		Screw, 1/4-20 x 2-3/8" Use as required
277	650795	1		Screw, 1/4-20 x 2-1/4" Use as required
277	792005	1		Screw, 1/4-20 x 2-1/2" Use as required
285	35000	1	S	Hub, Starter
287B	650884	1	S	Screw, 8-32 x 1/2"
290	29774	1	/P	Fuel Line (8.62") as req.)
290	30705	1	/P	Fuel Line (Braided 16")(40 cm) Use as req.
290	30962	1	/P	Fuel Line (Braided 32")(81 cm) Use as req.
290	34357	1	S/P	Fuel Line (Epichlorohydrin 6-3/4") 17 cm
292	26460	1	/P	Fuel Line Clamp
300C	35501A	1	/P	Shroud & Tank Ass'y. Incl. 299 & 301 A
301	33032	1	/P	Fuel Cap (Red 1-1/2" ID) also available in Packaged Part #740005B
305	35498	1		Oil Fill Tube
306	34265	1		Gasket, Oil fill tube
306	34282	1		"O" Ring This "O" ring is required with metal fill tube only when replacement mounting flange with .777 dia. oil fill hole has been used.
307	35499	1		"O" Ring
309	650562	1	/P	Screw, 10-32 x 1/2"
310	35507	1	/P	Dipstick
313	34080	1	/P	Spacer, Flywheel key
327	35392	1		Starter Plug
354	35025	1	S	Staple (Not used on all models)
370J	34870	1		Decal, Instruction (Optional)
370H	34387	1		Decal, Instruction (Optional)
379	631021	1	S/P	Inlet Needle, Seat & Clip Assy.
380	632466	1	S	Carburetor (Incl. 184) (Refer to Division 5, Section A, page A2-6 or Fiche 8A, Grid E-9for breakdown)
390B	590621	1	S	Rewind Starter Refer to Division 5, Section C, page 34 or Fiche 8A, Grid G -5 for breakdown
400	33238D	1	S/P	* Gasket Set (Incl. items marked *)

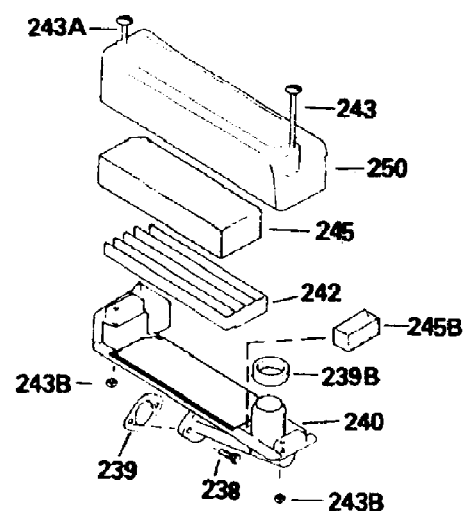
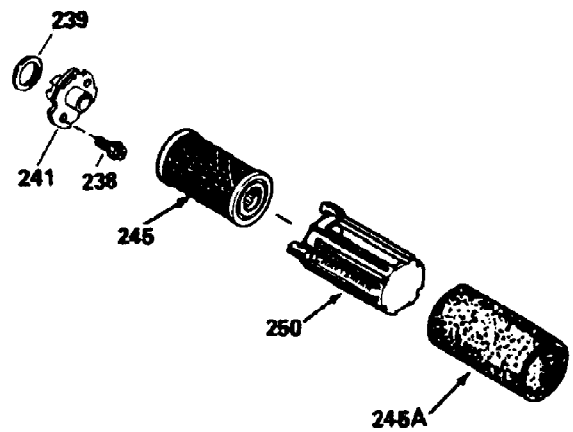
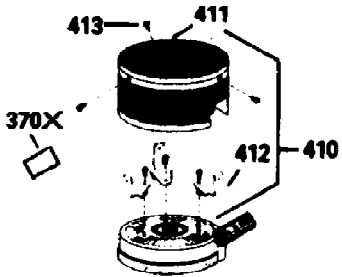
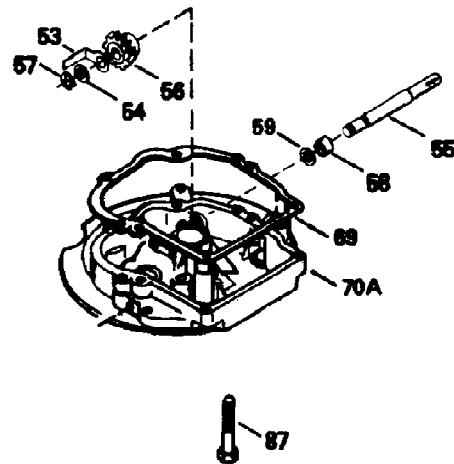
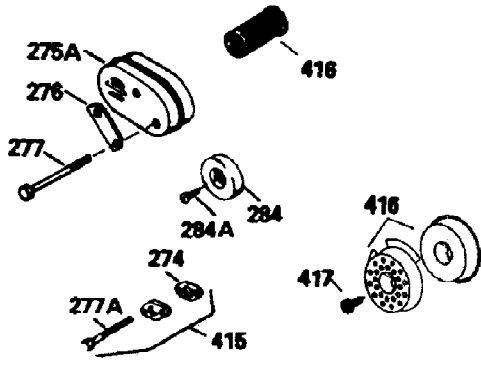
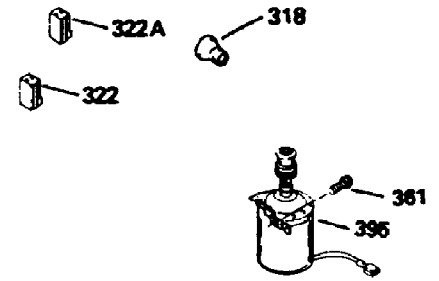
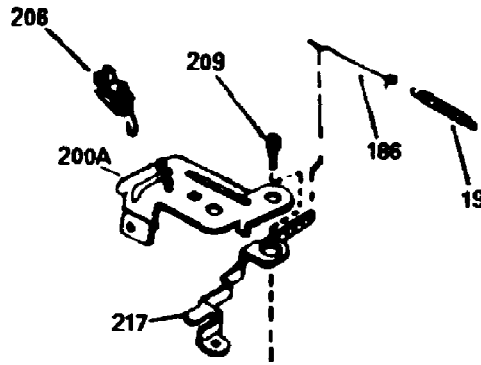
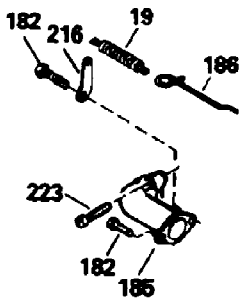
Ref #	Part Number	Qty	S/P/F	Description
420	730225	1	S	SAE 30, 4-Cycle Engine Oil (Quart)
425	730571	1		Starter Muff Kit (Incl. 370J,426,427) Opt.
426	32203	1		Starter Air Cleaner (Optional)
427	32204	1		Starter Air Cleaner Bracket Optional
436	611006	1	/P	Stator Plate Ass'y. Incl. 377,378,437 , 442-448
437	30551	1		Spring, Breaker box cover
438	610947	1	/P	Cover, Dust
439	610955	1	/P	Gasket, Stator cover
440	30992	1	/P	Cam, Breaker
442	610385	1	/P	Washer
443	610408	1	/P	Nut, 8-32
444	29181	1	/P	Breaker Fastening Screw & Washer
445	610593	1		Condenser Fastening Screw
446	33356	1	/P	Terminal, Ground

VIEW 2 OF 3



Ref #	Part Number	Qty	S/P/F	Description
118	730194	1		Rope Guide Kit (Use as required)
237	32971	1		Adapter, Air cleaner
238	650709	1		Screw, 10-32 x 7/16"
239A	35815	1	/P	Air Filter Gasket
245F	35500	1		Air Filter (also available in Package d Part #740013B)
246E	35435	1	/P	Filter, Pre-air (Use as required)
247C	35505	1		Clamp, Air cleaner tube
248	35504	1		Tube, Air cleaner
250E	35503	1		Cover, Air cleaner
260B	35497	1		Housing, Blower
263	35502	1		Ring, Shroud
287B	650884	1	S	Screw, 8-32 x 1/2"
287A		1		Pop Rivet (3/16" Dia.) Purchase local ly
287A	650735	1		Screw, 10-24 x 3/8" (Use as required)
299	650900	1		Clip, "U" type nut, 10-32
300C	35501A	1	/P	Shroud & Tank Ass'y. Incl. 299 & 301 A
301A	35355	1	S	Fuel Cap (Red)
347	650898	1	S	Screw, 10-32 x 27/32"
354	35025	1	S	Staple (Not used on all models)
357	34985	1	S	Rope Stop & Staple Assy. (Incl. 354)
370J	34870	1		Decal, Instruction (Optional)
370H	34387	1		Decal, Instruction (Optional)
390B	590621	1	S	Rewind Starter Refer to Division 5, Section C, page 34 or Fiche 8A, Grid G -5 for breakdown
425	730571	1		Starter Muff Kit (Incl. 370J,426,427) Opt.
426	32203	1		Starter Air Cleaner (Optional)
427	32204	1		Starter Air Cleaner Bracket Optional
436	611006	1	/P	Stator Plate Ass'y. Incl. 377,378,437 , 442-448
437	30551	1		Spring, Breaker box cover
438	610947	1	/P	Cover, Dust
439	610955	1	/P	Gasket, Stator cover
440	30992	1	/P	Cam, Breaker
442	610385	1	/P	Washer
443	610408	1	/P	Nut, 8-32
444	29181	1	/P	Breaker Fastening Screw & Washer
445	610593	1		Condenser Fastening Screw
446	33356	1	/P	Terminal, Ground

VIEW 3 OF 3



Ref #	Part Number	Qty	S/P/F	Description
19	31361	1		Spring, Extension
69	35261	1	S/P	* Gasket, Mounting flange
118	730194	1		Rope Guide Kit (Use as required)
182	6201	1	/P	Screw, 1/4-28 x 7/8"
185	31384A	1	/P	Pipe, Intake (Incl. 224)
186	34337	1		Link, Governor spring
206	610973	1		Terminal (Use as required)
209	30200	1	/P	Screw, 10-24 x 9/16"
223	650451	1	/P	Screw, 1/4-20 x 1"
238	650709	1		Screw, 10-32 x 7/16"
239A	35815	1	/P	Air Filter Gasket
243A	650899	1		Screw, 10-32 x 2-3/32"
245F	35500	1		Air Filter (also available in Package d Part #740013B)
246E	35435	1	/P	Filter, Pre-air (Use as required)
247C	35505	1		Clamp, Air cleaner tube
250E	35503	1		Cover, Air cleaner
260B	35497	1		Housing, Blower
274	26754A	1	/P	* Gasket, Exhaust (Use as required)
275A	34613	1	S/P	Muffler
277	650774	1		Screw, 1/4-20 x 2-3/8" Use as required
277	650795	1		Screw, 1/4-20 x 2-1/4" Use as required
277	792005	1		Screw, 1/4-20 x 2-1/2" Use as required
277A	30063	1	/P	Screw, T-30, 1/4-20 x 1/2" as req.)
287B	650884	1	S	Screw, 8-32 x 1/2"
300C	35501A	1	/P	Shroud & Tank Ass'y. Incl. 299 & 301 A
354	35025	1	S	Staple (Not used on all models)
370J	34870	1		Decal, Instruction (Optional)
370H	34387	1		Decal, Instruction (Optional)
390B	590621	1	S	Rewind Starter Refer to Division 5, Section C, page 34 or Fiche 8A, Grid G -5 for breakdown
410	730574	1	S	Debris Screen Kit (Incl. 370H,411-413) Opt.
411	35596	1		Debris Screen (Optional)
412	35597	1		Debris Screen Bracket (Optional)
413	650910	1	/P	Screw, 8-32 x 1/4 (Optional)
415	730162	1		Muffler Adapter Kit (Incl. 274,277) Use as req
425	730571	1		Starter Muff Kit (Incl. 370J,426,427) Opt.
426	32203	1		Starter Air Cleaner (Optional)
427	32204	1		Starter Air Cleaner Bracket Optional
436	611006	1	/P	Stator Plate Ass'y. Incl. 377,378,437 , 442-448
437	30551	1		Spring, Breaker box cover
438	610947	1	/P	Cover, Dust
439	610955	1	/P	Gasket, Stator cover
440	30992	1	/P	Cam, Breaker
442	610385	1	/P	Washer
443	610408	1	/P	Nut, 8-32
444	29181	1	/P	Breaker Fastening Screw & Washer
445	610593	1		Condenser Fastening Screw
446	33356	1	/P	Terminal, Ground