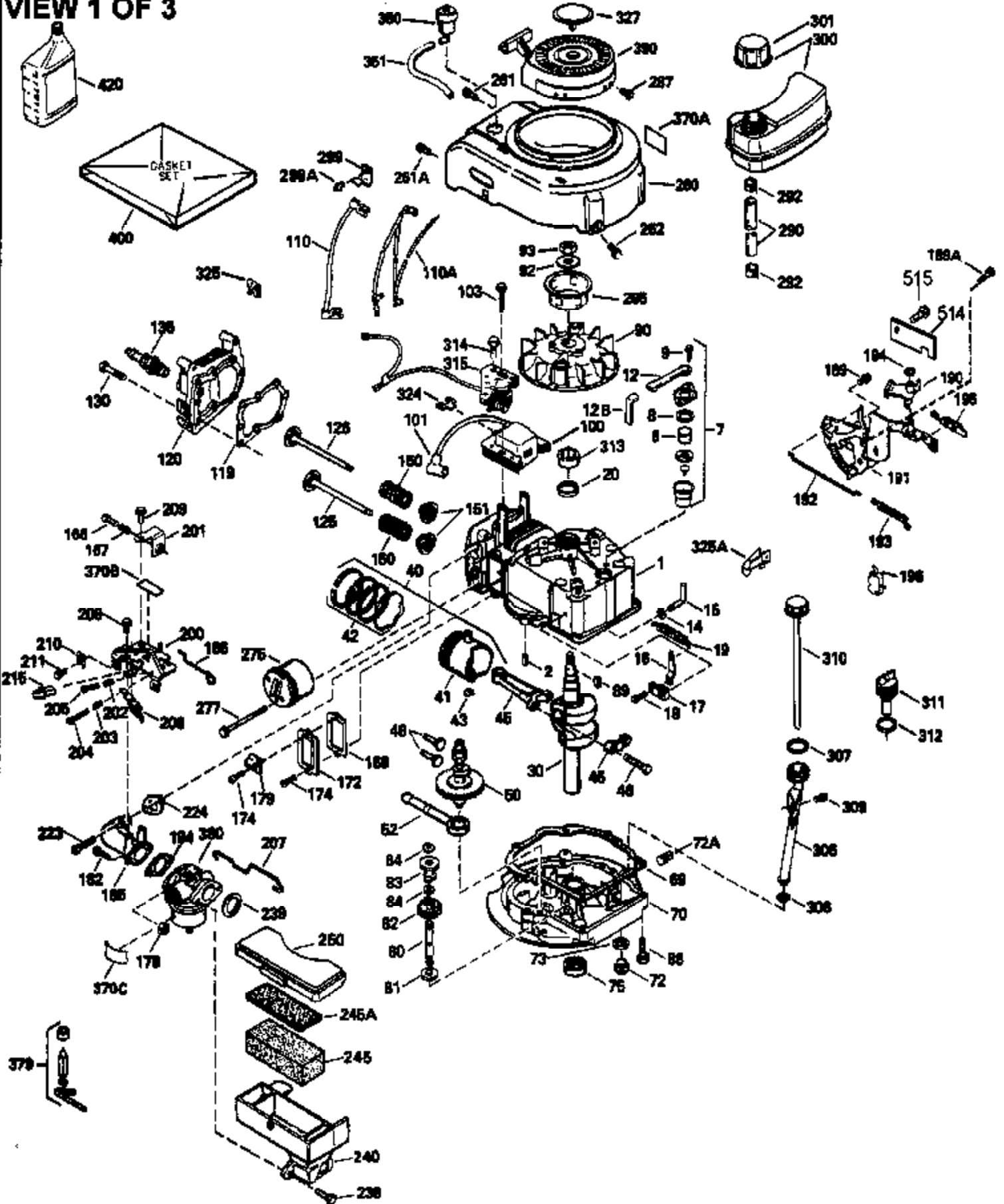


ILLUSTRATION SHOWS TYPICAL PARTS ONLY. ORDER BY PART NUMBER. PARTS NOT LISTED ARE SUPPLIED BY OEM.

VIEW 1 OF 3

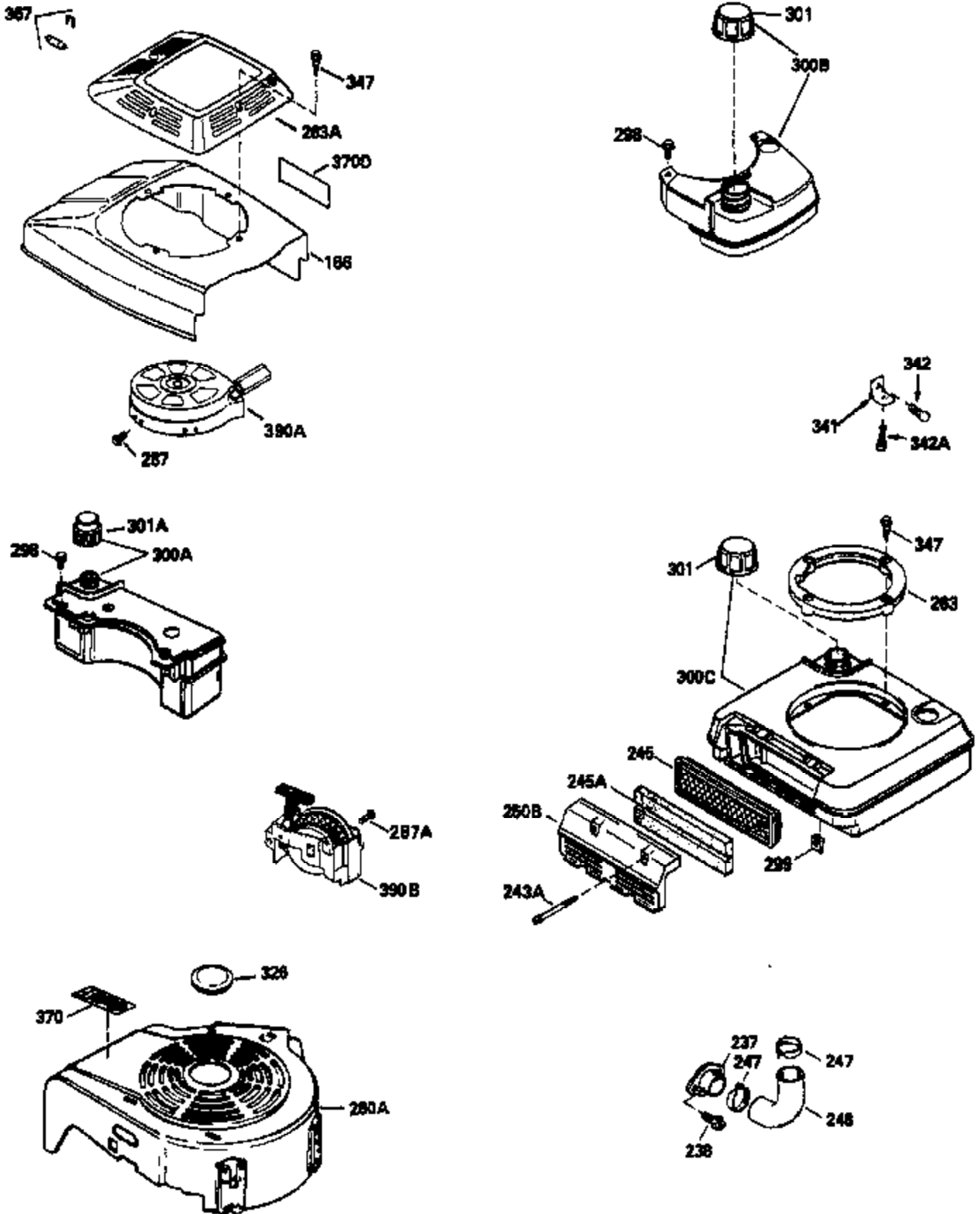


Ref #	Part Number	Qty	Description
1	35010		Cylinder (Incl. 2 & 20) (2-5/8" Bore)
2	26727		Pin, Dowel
6	33734		Element, Breather
7	34214A		Breather Assy. (Incl. 6, 8, 9, 12 & 1 2A)
8	33735		* Gasket, Breather
9	30200		Screw, 10-24 x 9/16"
12	33886		Tube, Breather
14	28277		Washer, Flat
15	30589		Rod, Governor (Incl. 14)
16	31383A		Lever, Governor
17	31335		Clamp, Governor lever
18	650548		Screw, 8-32 x 5/16"
19	33578		Spring, Governor
20	32600		Seal, Oil
30	34570A		Crankshaft
40	35544		Piston, Pin & Ring Set (Std.) (2-5/8" Bore)
40	35545		Piston, Pin & Ring Set (.010" OS)
40	35546		Piston, Pin & Ring Set (.020" OS)
41	35541		Piston & Pin Ass'y. (Incl. 43)(Std.)(2-5/8")
41	35542		Piston & Pin Ass'y. (Incl. 43) (.010" OS)
41	35543		Piston & Pin Ass'y. (Incl. 43) (.020" OS)
42	35547		Ring Set (Std.) (2-5/8" Bore)
42	35548		Ring Set (.010" OS)
42	35549		Ring Set (.020" OS)
43	20381		Ring, Piston pin retaining
45	32875		Rod Assy., Connecting (Incl. 46)
46	32610A		Bolt, Connecting rod
48	27241		Lifter, Valve
50	33553		Camshaft (MCR)
52	29914		Oil Pump Assy.
69	35261		* Gasket, Mounting flange
70	34311C		Flange Ass'y. (Incl. 72, 72A, 73, 75 & 80)
72	30572		Plug, Oil drain (Incl. 73)
72A	9556		Plug, Pipe
73	28833		* Drain Plug Gasket (Not req. W/plastic plug)
75	27897		Seal, Oil
80	30574		Shaft, Governor
81	30590A		Washer, Flat
82	30591		Gear Assy., Governor (Incl. 81)
83	30588A		Spool, Governor
84	29193		Ring, Retaining
86	650488		Screw, 1/4-20 x 1-1/4"
89	611004		Flywheel Key
90	611112		Flywheel
92	650815		Washer, Belleville
93	650816		Nut, Flywheel
100	34443A		Solid State Ignition
101	610118		Cover, Spark plug
103	650814		Screw, Torx T-15, 10-24 x 1"
110	35181		Ground Wire
119	33015A		* Gasket, Head
120	34342		Head, Cylinder
125	29314B		Intake Valve (Std.) (Incl. 151) (Conventional Ports)
125	29315C		Intake Valve (1/32" OS) (Incl. 151) (Conventional Ports)
126	29313C		Exhaust Valve (Std.) (Incl. 151) (Conventional Ports)
126	29315C		Exhaust Valve (1/32" OS) (Incl. 151) (Conventional Ports)
130	6021A		Screw, 5/16-18 x 1-1/2"
135	35395		Resistor Spark Plug (RJ19LM)

Ref #	Part Number	Qty	Description
150	31672		Spring, Valve
151	31673		Cap, Lower valve spring
169	27234A		Gasket, Valve spring box cover
172	32755		Cover, Valve spring box
174	650128		Screw, 10-24 x 1/2"
178	29752		Nut & Lockwasher, 1/4-28
182	6201		Screw, 1/4-28 x 7/8"
184	26756		* Gasket, Carburetor
185	33004A		Pipe, Intake (Incl. 224)
186	34358		Link, Governor spring
200	33131A		Control Bracket (Incl. 202 thru 206)
202	33802		Spring, Compression
203	31342		Spring, Compression
204	650549		Screw, 5-40 x 7/16"
205	650777		Screw, 6-32 x 21/32"
206	610973		Terminal
207	34336		Link, Throttle
209	30200		Screw, 10-24 x 9/16"
210	27793		Clip, Conduit
211	28942		Screw, 10-32 x 3/8"
223	650451		Screw, 1/4-20 x 1"
224	34690A		* Gasket, Intake pipe
246D	35435		Filter, Pre-Air (Optional)
246C	34783		Filter, Pre-air
250D	35536		Seal, Air cleaner cover
260	35534		Housing, Blower
261	30200		Screw, 10-24 x 9/16"
262	650831		Screw, 1/4-20 x 15/32"
277	650795		Screw, 1/4-20 x 2-1/4" (Use as required)
285	35000		Hub, Starter
287	650884		Screw, 8-32 x 1/2"
290	34357		Fuel Line (Epichlorohydrin 6-3/4") (17 cm)
290	29774		Fuel Line(Braided 8-1/4")(21 cm)(Use as req.)
290	30705		Fuel Line (Braided 16") (40 cm) (Use as req.)
290	30962		Fuel Line (Braided 32") (81 cm) (Use as req.)
292	26460		Clamp, Fuel line
301	33032		Fuel Cap (Use as required)
305	35577		Tube, Oil fill
306	34265		Gasket, Oil fill tube
307	35499		"O" Ring
309	650562		Screw, 10-32 x 1/2"
310	35578		Dipstick
313	34080		Spacer, Flywheel key
325	29443		Clip, Fuel line
327	35392		Plug, Starter
370G	34387		Decal, Instruction (Optional)
370A	34346		Decal, Instruction
379	631021		Inlet Needle, Seat & Clip Ass'y.
380	632391		Carburetor (Incl. 184) (Refer to Division 5, Section A, page A2-6 or Fiche 8A, Grid E-9for breakdown)
390	590635		Rewind Starter (Refer to Division 5, SectionC, page 34 or Fiche 8A, Grid G-5 for breakdown)
400	33238D		* Gasket Set (Incl. items marked *)
420	730225		SAE 30, 4-Cycle Engine Oil (Quart)

ILLUSTRATION SHOWS TYPICAL PARTS ONLY. ORDER BY PART NUMBER. PARTS NOT LISTED ARE SUPPLIED BY OEM.

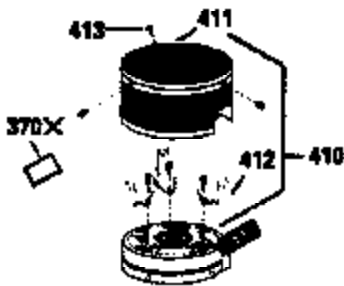
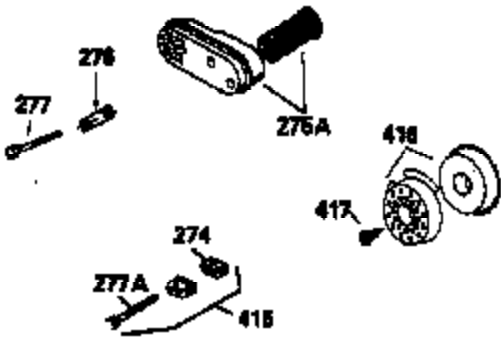
VIEW 2 OF 3



Ref #	Part Number	Qty	Description
	92 650815		Washer, Belleville
245A	34782		Filter, Air cleaner (Incl. 229)
246C	34783		Filter, Pre-air
246D	35435		Filter, Pre-Air (Optional)
250D	35536		Seal, Air cleaner cover
	287 650884		Screw, 8-32 x 1/2"
	298 28763		Screw, 10-32 x 35/64"
300A	34476		Fuel Tank (Incl. 292 & 301)
	301 33032		Fuel Cap (Use as required)
370A	34346		Decal, Instruction
370G	34387		Decal, Instruction (Optional)
	390 590635		Rewind Starter (Refer to Division 5, SectionC, page 34 or Fiche 8A, Grid G-5 for breakdown)

ILLUSTRATION SHOWS TYPICAL PARTS ONLY. ORDER BY PART NUMBER. PARTS NOT LISTED ARE SUPPLIED BY OEM.

VIEW 3 OF 3



Ref #	Part Number	Qty	Description
19	33578		Spring, Governor
69	35261		* Gasket, Mounting flange
92	650815		Washer, Belleville
182	6201		Screw, 1/4-28 x 7/8"
185	33004A		Pipe, Intake (Incl. 224)
186	34358		Link, Governor spring
223	650451		Screw, 1/4-20 x 1"
227	35917		Elbow Assy., Air cleaner (Incl. No. 2 43)
228	650826		Stud, threaded both ends, 1/4-20 x 6. 20
229	650825		Nut & Lockwasher, 1/4-20
232			Pop Rivet (1/8" dia.) (Purchase Local ly)
233	34699		Bracket, Air cleaner
235	35533		Fitting, Air cleaner elbow
239A	35815		Gasket, Air cleaner
239B	34698A		Gasket, Air cleaner bracket
243	650940		Screw, 10-32 x 3/4"
245A	34782		Filter, Air cleaner (Incl. 229)
246D	35435		Filter, Pre-Air (Optional)
246C	34783		Filter, Pre-air
250C	35535		Cover, Air cleaner
250D	35536		Seal, Air cleaner cover
251	650513		Nut, Wing, 1/4-20
275A	391019		Muffler
276	33753		Plate, Locking
277A	30063		Screw, Torx T-30, 1/4-20 x 1/2" (Use as req.)
277	650795		Screw, 1/4-20 x 2-1/4" (Use as requir ed)
370E	34704		Decal, Air cleaner
370G	34387		Decal, Instruction (Optional)
370A	34346		Decal, Instruction
410	730574		Opt.Debris Screen Kit (Incl.370G,411, 412,413)
411	35596		Debris Screen (Optional)
412	35597		Debris Screen Bracket (Optional)
413	650910		Screw, 8-32 x 1/4 (Optional)
415	730162		Muffler Adapter Kit(In.274,277A)(Use as req.)