

Engine Parts List #1

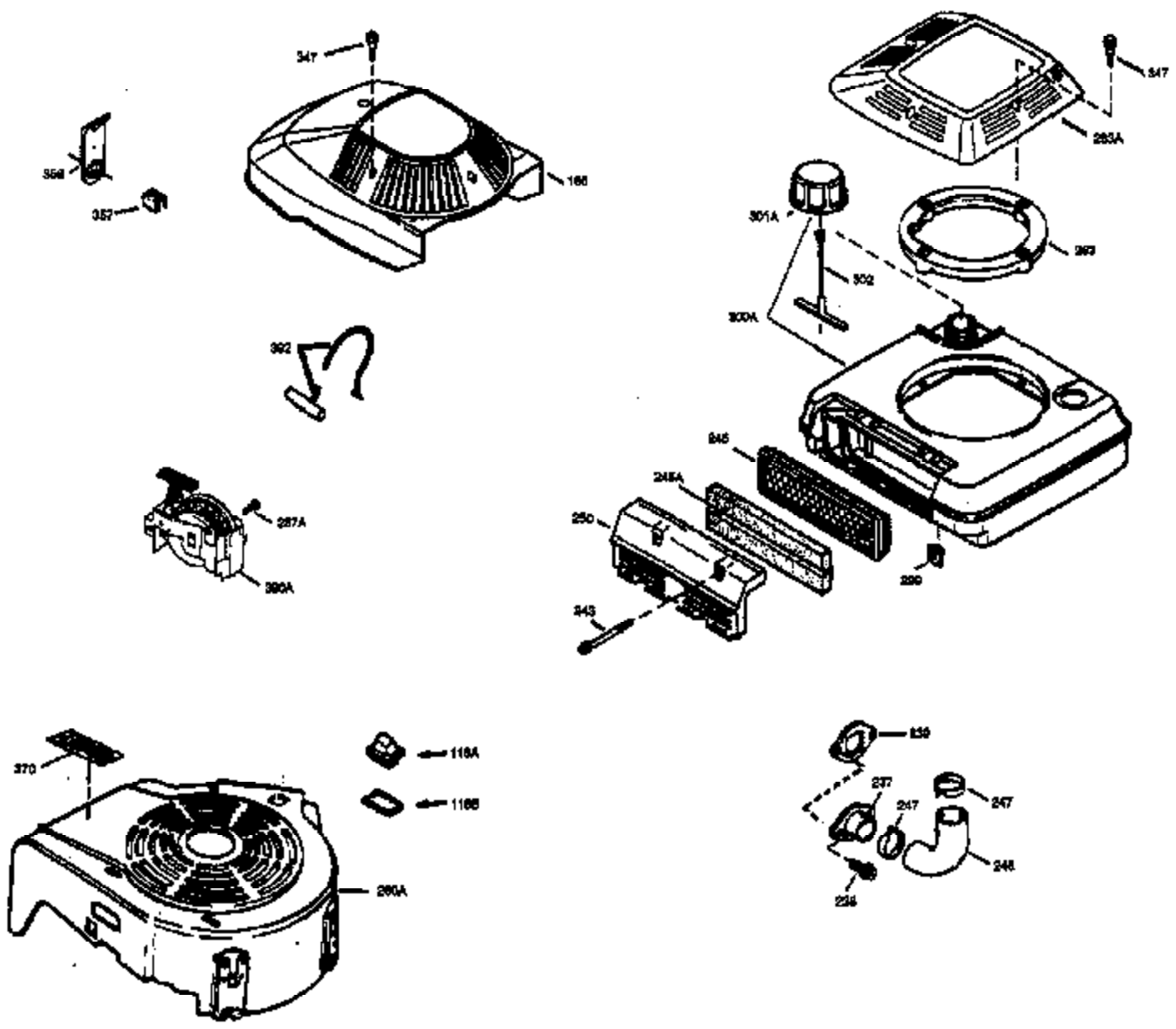
| Ref # | Part Number | Qty | Description |
|-------|-------------|-----|-------------------------------------------|
| | 1 35010 | 1 | Cylinder (Incl. 2 & 20) |
| | 2 26727 | 2 | Dowel Pin |
| | 6 33734 | 1 | Breather Element |
| | 7 34214A | 1 | Breather Ass'y. (Incl. 6, 8, 9 & 12) |
| | 8 33735 | 1 | * Breather Gasket |
| | 9 30200 | 2 | Screw, 10-24 x 9/16" |
| | 12 33886 | 1 | Breather Tube |
| | 14 28277 | 1 | Washer |
| | 15 31513 | 1 | Governor Rod (Incl. 14) |
| | 16 31383A | 1 | Governor Lever |
| | 17 31335 | 1 | Governor Lever Clamp |
| | 18 650548 | 1 | Screw, 8-32 x 5/16" |
| | 19 31361 | 1 | Extension Spring |
| | 20 32600 | 1 | Oil Seal |
| | 30 34759A | 1 | Crankshaft |
| | 40 35544A | 1 | Piston, Pin & Ring Set (Std.) |
| | 40 35545A | 1 | Piston, Pin & Ring Set (.010" OS) |
| | 40 35546 | 1 | Piston, Pin & Ring Set (.020" OS) |
| | 41 35541 | 1 | Piston & Pin Ass'y. (Std.) (Incl. 43) |
| | 41 35542 | 1 | Piston & Pin Ass'y. (.010" OS) (Incl. 43) |
| | 41 35543 | 1 | Piston & Pin Ass'y. (.020" OS) (Incl. 43) |
| | 42 35547A | 1 | Ring Set (Std.) |
| | 42 35548A | 1 | Ring Set (.010" OS) |
| | 42 35549 | 1 | Ring Set (.020" OS) |
| | 43 20381 | 2 | Piston Pin Retaining Ring |
| | 45 30963B | 1 | Connecting Rod Ass'y (Incl. 46) |
| | 46 32610A | 2 | Connecting Rod Bolt |
| | 48 27241 | 2 | Valve Lifter |
| | 50 33148A | 1 | Camshaft (BCR) |
| | 52 29914 | 1 | Oil Pump Ass'y. |
| | 69 35261 | 1 | * Mounting Flange Gasket |
| | 70 33521D | 1 | Mounting Flange (Incl.58,72,75 & 80) |
| | 72 36083 | 1 | Oil Drain Plug |
| | 75 26208 | 1 | Oil Seal |
| | 80 30574 | 1 | Governor Shaft |
| | 81 30590A | 1 | Washer |
| | 82 30591 | 1 | Governor Gear Ass'y. (Incl. 81) |
| | 83 30588A | 1 | Governor Spool |
| | 84 29193 | 2 | Retaining Ring |
| | 86 650488 | 5 | Screw, 1/4-20 x 1-1/4" |
| | 89 611004 | 1 | Flywheel Key |
| | 90 611044 | 1 | Flywheel |
| | 92 650815 | 1 | Belleville Washer |
| | 93 650816 | 1 | Flywheel Nut |
| | 100 34443A | 1 | Solid State Ignition |
| | 101 610118 | 1 | Spark Plug Cover |
| | 103 650814 | 2 | Screw, Torx T-15, 10-24 x 1" |
| | 110A 35356 | 1 | Ground Wire |
| | 110 611165 | 1 | Ground Wire |
| | 119 33015A | 1 | * Cylinder Head Gasket |
| | 120 34342 | 1 | Cylinder Head |
| | 125 29313C | 1 | Exhaust Valve (Std.) (Incl. 151) |
| | 125 29315C | 1 | Exhaust Valve (1/32" OS) (Incl. 151) |
| | 126 29314B | 1 | Intake Valve (Std.) (Incl. 151) |
| | 126 29315C | 1 | Intake Valve (1/32" OS) (Incl. 151) |
| | 130 6021A | 8 | Screw, 5/16-18 x 1-1/2" |
| | 135 35395 | 1 | Resistor Spark Plug (RJ19LM) |
| | 150 31672 | 2 | Valve Spring |

Engine Parts List #1

| Ref # | Part Number | Qty | Description |
|-------|-------------|-----|----------------------------------------------------------------------------------------------------------------------------------------------------------------|
| 151 | 31673 | 2 | Valve Spring Cap |
| 169 | 27234A | 1 | * Valve Cover Gasket |
| 172 | 32755 | 1 | Valve Cover |
| 174 | 650128 | 2 | Screw, 10-24 x 1/2" |
| 178 | 29752 | 2 | Nut & Lock Washer, 1/4-28 |
| 182 | 6201 | 2 | Screw, 1/4-28 x 7/8" |
| 184 | 26756 | 1 | * Carburetor To Intake Pipe Gasket |
| 185 | 31384A | 1 | Intake Pipe (Incl. 224) |
| 190 | 35831 | 1 | Brake Lever |
| 191 | 35040B | 1 | S.E. Brake Bracket (Incl. 195) |
| 192 | 34966 | 1 | Brake Control Link |
| 193 | 34965 | 1 | Brake Spring |
| 194 | 32309 | 1 | Retaining Ring |
| 195 | 610973 | 1 | Terminal |
| 200 | 33131A | 1 | Control Bracket (Incl. 202 thru 205) |
| 202 | 33802 | 1 | Compression Spring |
| 203 | 31342 | 1 | Compression Spring |
| 204 | 650549 | 1 | Screw, 5-40 x 7/16" |
| 205 | 650777 | 1 | Screw, 6-32 x 21/32" |
| 207 | 34336 | 1 | Throttle Link |
| 209 | 30200 | 2 | Screw, 10-24 x 9/16" |
| 210 | 27793 | 1 | Conduit Clip |
| 211 | 28942 | 1 | Screw, 10-32 x 3/8" |
| 223 | 650451 | 2 | Screw, 1/4-20 x 1" |
| 224 | 34690A | 1 | * Intake Pipe Gasket |
| 238 | 650806 | 2 | Screw, 10-32 x 5/8" |
| 239 | 34338 | 1 | * Air Cleaner Gasket |
| 240 | 34858 | 1 | Air Cleaner Body |
| 245 | 34340 | 1 | Air Cleaner Filter |
| 250 | 34341B | 1 | Air Cleaner Cover |
| 260 | 36227 | 1 | Blower Housing |
| 261 | 30200 | 2 | Screw, 10-24 x 9/16" |
| 262 | 650831 | 2 | Screw, 1/4-20 x 1/2" |
| 275 | 35603 | 1 | Muffler (Incl. 277) |
| 276 | 33753 | 1 | Locking Plate |
| 277 | 650795 | 2 | Screw, 1/4-20 x 2-1/4" |
| 285 | 35000 | 1 | Starter Cup |
| 287 | 650884 | 2 | Screw, 8-32 x 1/2" |
| 290 | 34357 | 1 | Fuel Line |
| 292 | 26460 | 2 | Fuel Line Clamp |
| 300 | 35586 | 1 | Fuel Tank (Incl. 292 & 301) |
| 301 | 35355 | 1 | Fuel Cap |
| 305 | 35577 | 1 | Oil Fill Tube |
| 306 | 34265 | 1 | * "O" Ring |
| 307 | 35499 | 1 | "O" Ring |
| 309 | 650562 | 1 | Screw, 10-32 x 1/2" |
| 310 | 35578 | 1 | Dipstick |
| 313 | 34080 | 1 | Spacer |
| 314 | 650767 | 2 | Screw, 8-32 x 27/64" |
| 315 | 35365 | 1 | Alternator Coil |
| 327 | 35392 | 1 | Starter Plug |
| 370A | 34346 | 1 | Lubrication Decal |
| 380 | 632046A | 1 | Carburetor (Incl. 184) |
| 390 | 590686 | 1 | Rewind Starter |
| 400 | 36207 | 1 | * Gasket Set (Incl. items marked PK in notes) Incl. part #'s: 26756 (1), 27234A (1), 33015A (1), 33735 (1), 34265 (1), 34338 (1), 34690A (1), 35261 (1). |

| Ref # | Part Number | Qty | Description |
|-------|-------------|-----|-----------------------------------|
| 420 | 730225 | 1 | SAE 30 4-Cycle Engine Oil (Quart) |

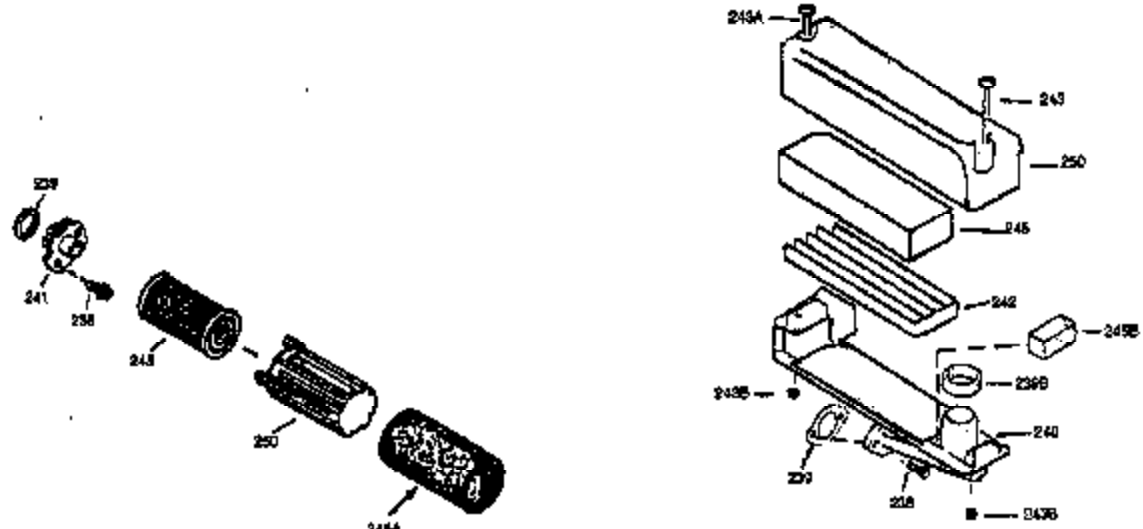
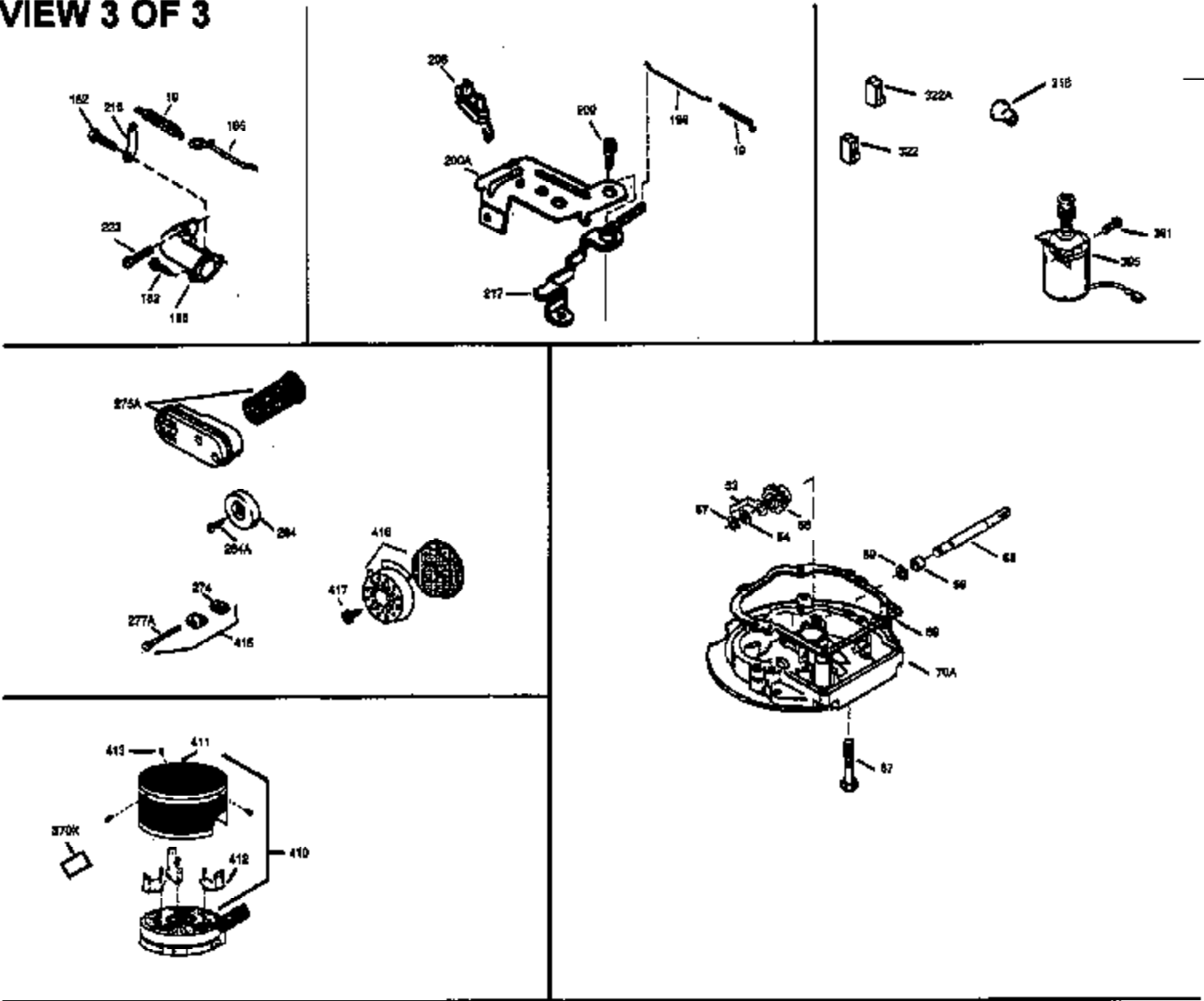
ILLUSTRATION SHOWS TYPICAL PARTS ONLY. ORDER BY PART NUMBER. PARTS NOT LISTED ARE SUPPLIED BY OEM.
VIEW 2 OF 3



| Ref # | Part Number | Qty | Description |
|-------|-------------|-----|----------------------|
| 238 | 650806 | 2 | Screw, 10-32 x 5/8" |
| 239 | 34338 | 1 | * Air Cleaner Gasket |
| 245 | 34340 | 1 | Air Cleaner Filter |
| 250 | 34341B | 1 | Air Cleaner Cover |
| 370 | 34144 | 1 | Primer Decal |

ILLUSTRATION SHOWS TYPICAL PARTS ONLY. ORDER BY PART NUMBER. PARTS NOT LISTED ARE SUPPLIED BY OEM.

VIEW 3 OF 3



| Ref # | Part Number | Qty | Description |
|-------|-------------|-----|--------------------------|
| 19 | 31361 | 1 | Extension Spring |
| 53 | 31745 | 1 | Washer |
| 54 | 31787 | 1 | Washer |
| 55 | 35667 | 1 | P.T.O. Shaft |
| 56 | 31746 | 1 | L.H. Worm Gear |
| 57 | 31749 | 1 | Retaining Ring |
| 58 | 31744 | 1 | Oil Seal |
| 59 | 31747 | 1 | Washer |
| 69 | 35261 | 1 | * Mounting Flange Gasket |
| 87 | 650492 | 1 | Screw, 1/4-20 x 2-1/4" |
| 182 | 6201 | 2 | Screw, 1/4-28 x 7/8" |
| 185 | 31384A | 1 | Intake Pipe (Incl. 224) |
| 186 | 34358 | 1 | Governor Link |
| 209 | 30200 | 2 | Screw, 10-24 x 9/16" |
| 223 | 650451 | 2 | Screw, 1/4-20 x 1" |
| 238 | 650806 | 2 | Screw, 10-32 x 5/8" |
| 239 | 34338 | 1 | * Air Cleaner Gasket |
| 240 | 34858 | 1 | Air Cleaner Body |
| 245 | 34340 | 1 | Air Cleaner Filter |
| 250 | 34341B | 1 | Air Cleaner Cover |
| 318 | 35587 | 1 | Wire Seal |
| 322A | 610921 | 1 | Connector Body |
| 322 | 34977 | 1 | Connector Body |
| 361 | 650831 | 2 | Screw, 1/4-20 x 1/2" |
| 395 | 35709 | 1 | Electric Starter Motor |