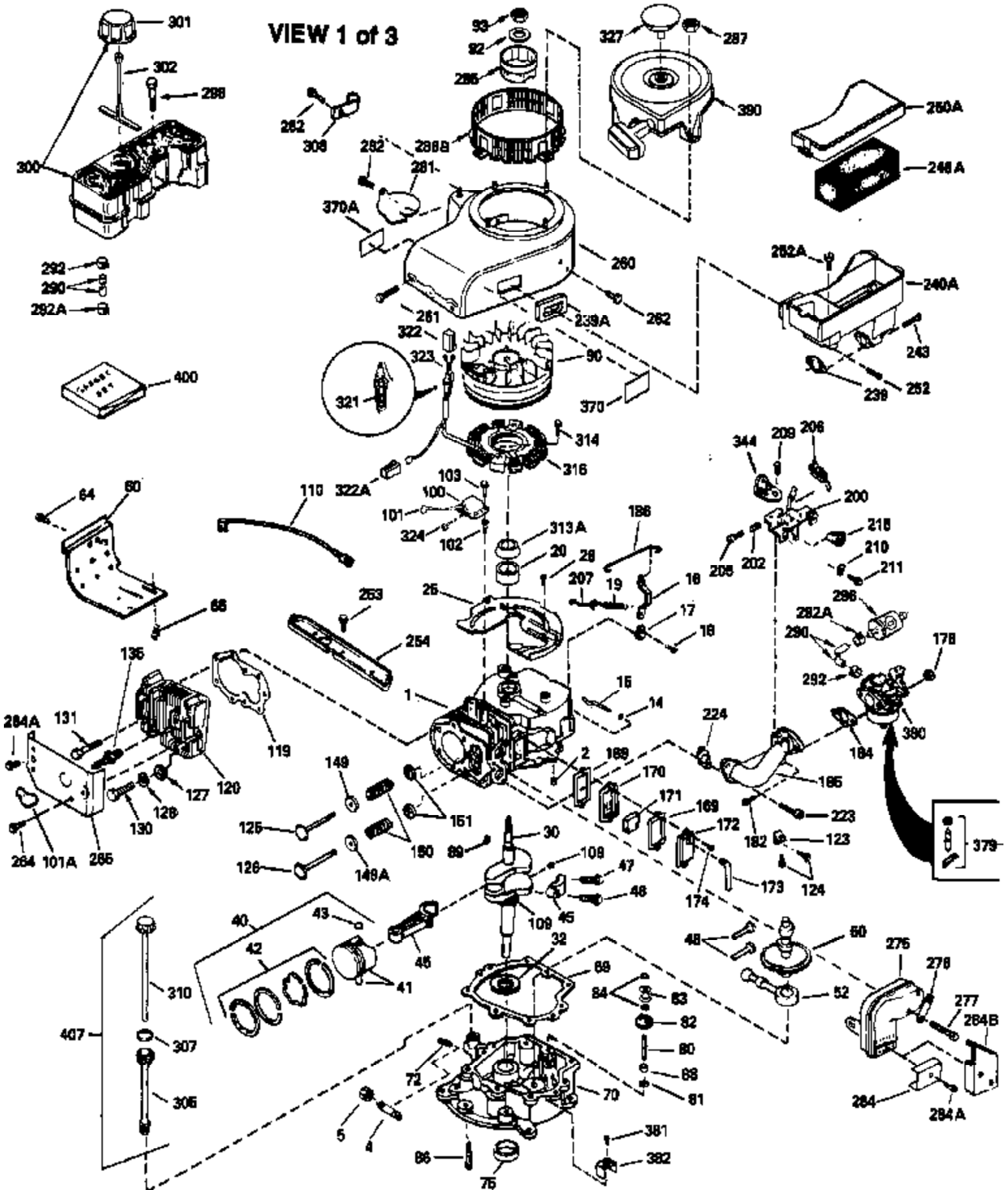


ILLUSTRATION SHOWS TYPICAL PARTS ONLY. ORDER BY PART NUMBER. PARTS NOT LISTED ARE SUPPLIED BY OEM.

VIEW 1 of 3

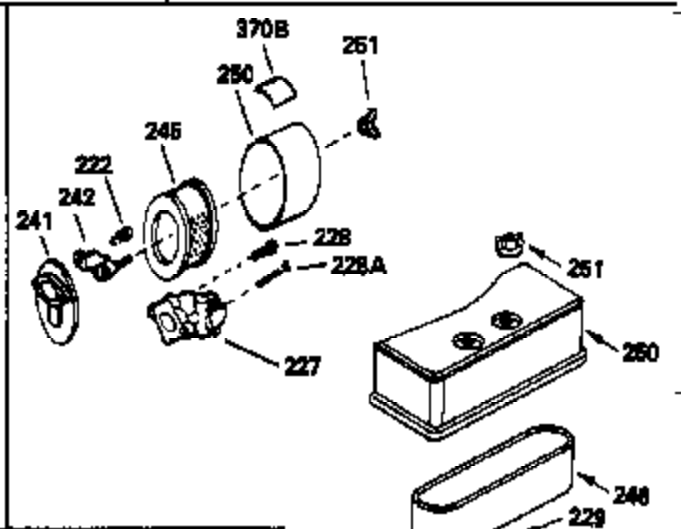
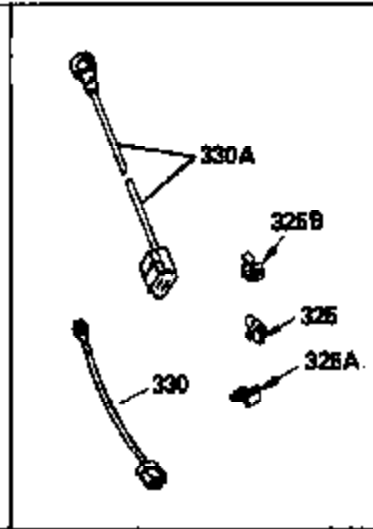
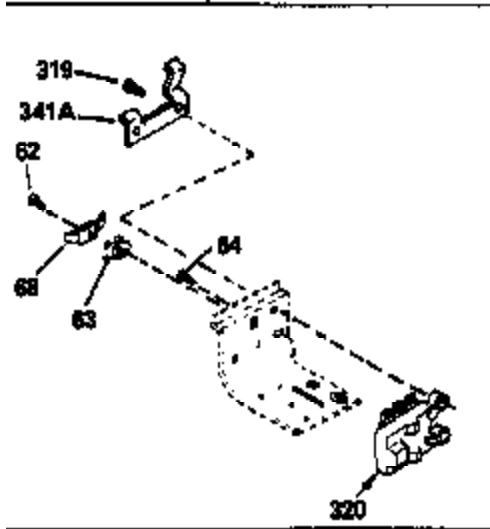
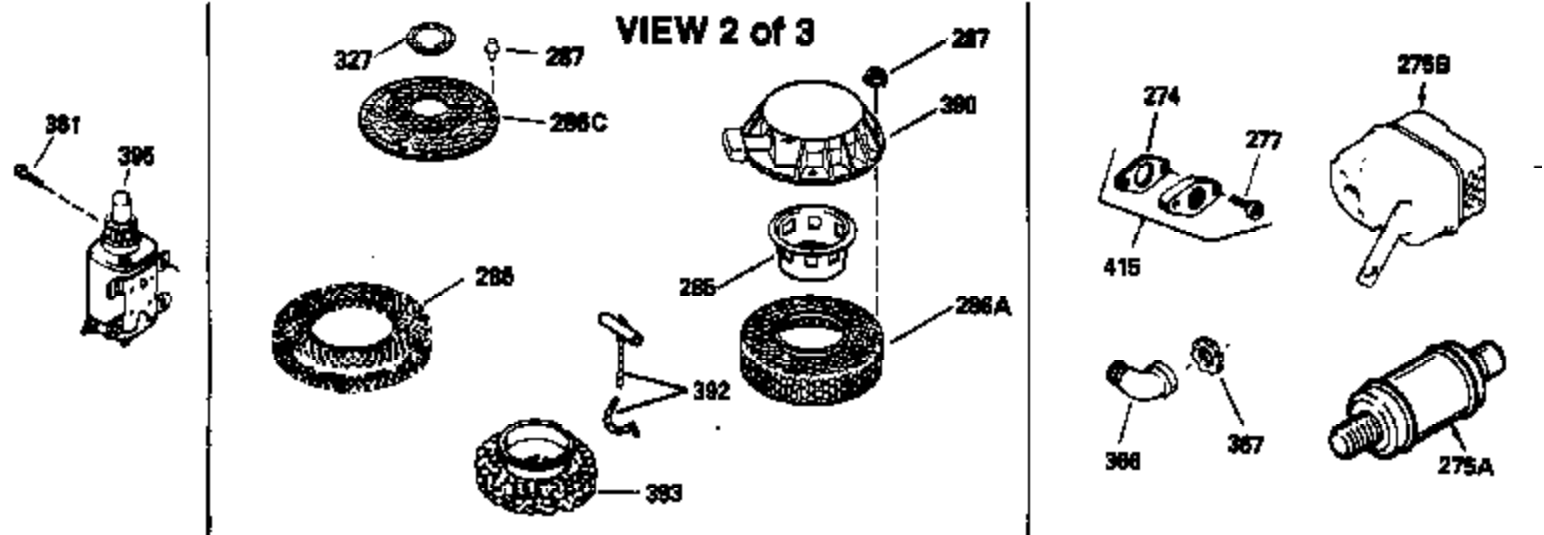


| Ref # | Part Number | Qty | Description |
|-------|-------------|-----|-----------------------------------------------|
| 1 | 35379 | | Cylinder (Incl. 2 & 20) (3-5/16" Bore) |
| 2 | 27652 | | Pin, Dowel |
| 14 | 28277 | | Washer, Flat |
| 15 | 35082 | | Rod, Governor |
| 16 | 32651 | | Lever, Governor |
| 17 | 31335 | | Clamp, Governor lever |
| 18 | 650548 | | Screw, 8-32 x 5/16" |
| 19 | 34043 | | Spring, Extension |
| 20 | 35319 | | Seal, Oil |
| 25 | 35424 | | Baffle, Blower housing (Incl. 325) |
| 26 | 650561 | | Screw, 1/4-20 x 5/8" |
| 30 | 35388A | | Crankshaft |
| 32 | 35653 | | Washer (1-3/8" I.D. 1-3/4" O.D. .015" thick) |
| 40 | 34860A | | Piston, Pin & Ring Set (Std.)(3-5/16" Bore) |
| 40 | 34861A | | Piston, Pin & Ring Set (.010" OS) |
| 40 | 34862A | | Piston, Pin & Ring Set (.020" OS) |
| 41 | 34863 | | Piston & Pin Ass'y. (Std.)(Incl.43)(3 -5/16") |
| 41 | 34864 | | Piston & Pin Ass'y. (.010" OS) (Incl. 43) |
| 41 | 34865 | | Piston & Pin Ass'y. (.020" OS) (Incl. 43) |
| 42 | 34866A | | Ring Set (Std.) (3-5/16" Bore) |
| 42 | 34867A | | Ring Set (.010" OS) |
| 42 | 34868A | | Ring Set (.020" OS) |
| 43 | 27888 | | Ring, Piston pin retaining |
| 45 | 35373A | | Rod Assy., Connecting (Incl. 46 & 47) |
| 46 | 650908 | | Bolt, Connecting rod |
| 47 | 650882 | | Bolt, Connecting rod (Used 2 in early prod.) |
| 48 | 34034 | | Lifter, Valve |
| 50 | 35381 | | Camshaft (MCR) |
| 52 | 31356 | | Pump Assy., Oil |
| 60 | 33273A | | Extension, Blower housing |
| 64 | 30063 | | Screw, Torx T-30, 1/4-20 x 1/2" |
| 65 | 650128 | | Screw, 10-24 x 1/2" |
| 69 | 35262 | | * Gasket, Mounting flange |
| 70 | 35382A | | Flange Ass'y. (Incl. 72, 75, 80 & 81) |
| 72 | 31927 | | Plug, Pipe |
| 75 | 35319 | | Seal, Oil |
| 80 | 30668 | | Shaft, Mechanical governor |
| 81 | 30590A | | Washer, Flat |
| 82 | 35378 | | Gear Assy., Governor (Incl. 81) |
| 83 | 30588A | | Spool, Governor |
| 84 | 29193 | | Ring, Retaining |
| 86 | 650833 | | Screw, 1/4-20 x 1-3/16" |
| 88 | 31707A | | Governor Spacer Assy. (Incl. 81) |
| 89 | 32589 | | Key, Flywheel |
| 90 | 611093 | | Flywheel (3 amp) (w/ring gear) |
| 92 | 650880 | | Washer, Lock |
| 93 | 650881 | | Nut, Hex, 5/8-18 |
| 100 | 35135 | | Solid State Assy. |
| 101 | 610118 | | Cover, Spark plug (Use as required) |
| 102 | 650872 | | Stud, Solid State mounting |
| 103 | 650814 | | Screw, Torx T-15, 10-24 x 1" |
| 119 | 34923A | | * Gasket, Cylinder head |
| 120 | 34030 | | Head, Cylinder |
| 123 | 33261 | | Bracket, Intake pipe |
| 124 | 650738 | | Screw, 1/4-20 x 5/8" |
| 125 | 27878A | | Exhaust Valve (Std.) (Incl. 151) |
| 125 | 27880A | | Exhaust Valve (1/32" OS) (Incl. 151) |
| 126 | 34035 | | Intake Valve (Std.) (Incl. 151) |

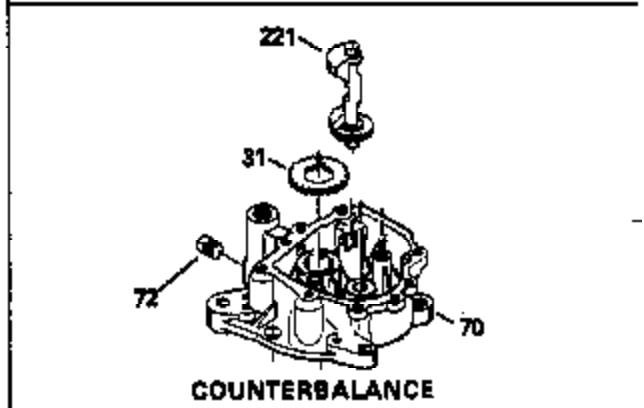
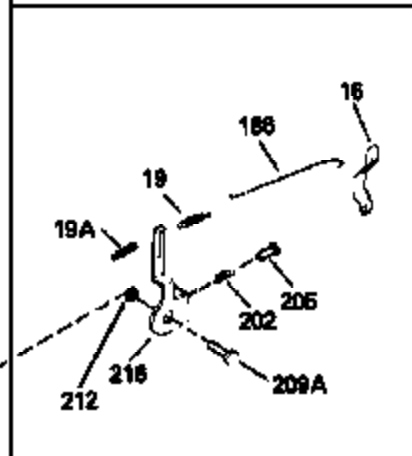
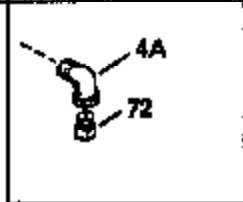
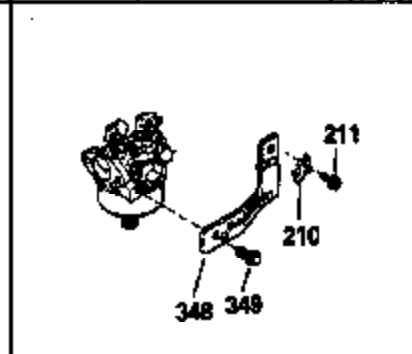
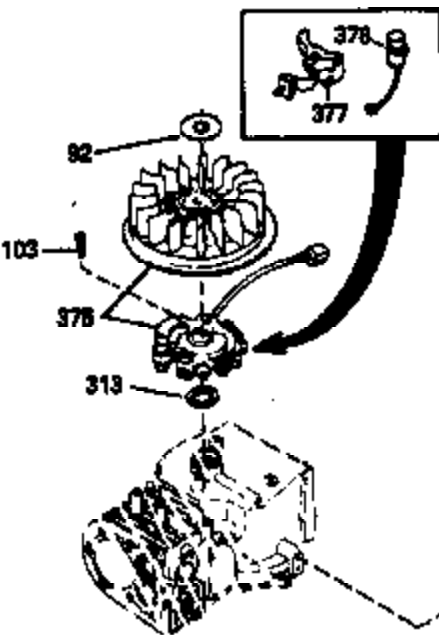
| Ref # | Part Number | Qty | Description |
|-------|-------------|-----|------------------------------------------------------------------------------------------------------------------------------------------------------------|
| 126 | 34036 | | Intake Valve (1/32" OS) (Incl. 151) |
| 127 | 650691 | | Washer, Flat (Do not use with 6021A s crew) |
| 128 | 650690 | | Washer, Belleville |
| 130 | 650694A | | Screw, 5/16-18 x 2" |
| 131 | 6021A | | Screw, 5/16-18 x 1-1/2" (Do not use w /650691) |
| 131 | 650788 | | Screw, 5/16-18 x 3/4" |
| 135 | 33636 | | Resistor Spark Plug |
| 149 | 27882 | | Valve Spring Cap |
| 149A | 35862 | | Seal Assy., Intake valve |
| 150 | 27881 | | Spring, Valve |
| 151 | 32581 | | Valve Spring Keeper |
| 169 | 27896A | | * Gasket, Breather |
| 170 | 28423 | | Body Assy., Breather |
| 171 | 28424 | | Element, Breather |
| 172 | 28425 | | Cover, Breather |
| 173 | 35350 | | Tube, Breather |
| 174 | 650128 | | Screw, 10-24 x 1/2" |
| 178 | 29752 | | Nut & Lockwasher, 1/4-28 |
| 182 | 30088A | | Screw, 1/4-28 x 1" |
| 184 | 33263 | | * Gasket, Carburetor |
| 185 | 34926 | | Pipe, Intake |
| 186 | 33860 | | Link, Governor-to-throttle |
| 200 | 35201 | | Control Bracket |
| 202 | 33802 | | Spring, Compression |
| 205 | 650777 | | Screw, 6-32 x 21/32" |
| 206 | 610973 | | Terminal Assy. (Use as required) |
| 209 | 30200 | | Screw, 10-24 x 9/16" |
| 210 | 27793 | | Clip, Conduit |
| 211 | 28942 | | Screw, 10-32 x 3/8" |
| 223 | 650378 | | Screw, Torx T-30, 5/16-18 x 1-1/8" |
| 224 | 27915A | | * Gasket, Intake pipe |
| 239 | 33629 | | * Gasket, Air cleaner |
| 239A | 34912 | | * Gasket, Air cleaner-to-housing |
| 243 | 650834 | | Screw, 10-32 x 1-17/32" |
| 246A | 34910 | | Element, Air cleaner |
| 250A | 34911 | | Cover, Air cleaner |
| 252A | 650784 | | Screw, 10-24 x 11/16" |
| 253 | 650651 | | Screw, 1/4-20 x 5/8" |
| 260 | 35795 | | Blower Housing (For electric starter) NOTE: Replacement hardware may differ when servicing starter assy. or blower housing. Refer to Service Bulletin 508. |
| 261 | 650788 | | Screw, 5/16-18 x 3/4" |
| 262 | 29747B | | Screw, 5/16-24 x 21/32" |
| 264A | 650738 | | Screw, 1/4-20 x 5/8" |
| 264 | 650802 | | Screw, 1/4-20 x 5/8" |
| 265 | 33272A | | Cover, Cylinder head |
| 277 | 650729 | | Screw, 5/16-18 x 3-3/16" (Use As Req.) |
| 277 | 651002 | | Screw, 5/16-18 x 4-3/16" (Use As Req.) |
| 277 | 30196 | | Screw, 5/16-18 x 3/4" (Use As Req.) |
| 287 | | | Rivet, Pop (Can be purchased locally) |
| 290 | 30705 | | Fuel Line (Braided 16") (40cm) |
| 290 | 29774 | | Fuel Line (Braided 8-1/4") (21cm)(As req.) |
| 292A | 35864 | | Clamp, fuel filter to fuel line |
| 292 | 26460 | | Clamp, Fuel line |
| 296 | 34279B | | Filter, Inline fuel |
| 298 | 28763 | | Screw, 10-32 x 35/64" |
| 301 | 33032 | | Fuel Cap (Use as required in early pr od.) |

| Ref # | Part Number | Qty | Description |
|-------|-------------|-----|--------------------------------------------------------------------------------------------------------|
| 301 | 34210 | | Fuel Cap (Use as required in early pr od.) |
| 307 | 33590 | | "O" Ring |
| 308 | 33997 | | Clip, Oil fill tube |
| 308 | 35437 | | Clip, Oil fill tube |
| 310 | 35837 | | Dipstick, Oil (Incl. 307) |
| 314 | 650873 | | Screw, 1/4-20 x 3/4" |
| 316 | 611113 | | Coil Assy. (3 amp D.C.) (Incl.321,322 & 323) |
| 321 | 611161 | | Diode Assy. |
| 322 | 610921 | | Connector body |
| 323 | 610922 | | Terminal, Female |
| 327 | 34113 | | Plug, Screen |
| 370 | 34346 | | Decal, Instruction |
| 379 | 631021 | | Inlet Needle, Seat & Clip Assy. |
| 380 | 632282 | | Carburetor (Incl. 184) (Refer to Division 5, Section A, page 186 for breakdown or Fiche10A, Grid E-13) |
| 381 | 29117 | | Screw, 8-32 x 5/16 (Not used on late prod.) |
| 382 | 33581 | | Screen, Oil filter (Not used in late prod.) |
| 400 | 33279G | | * Gasket Set (Incl. items marked *) |
| 407 | 35837 | | Fill Tube & Dipstick Assy. |

ILLUSTRATION SHOWS TYPICAL PARTS ONLY. ORDER BY PART NUMBER. PARTS NOT LISTED ARE SUPPLIED BY DEM.



STANDARD POINT IGNITION



| Ref # | Part Number | Qty | Description |
|-------|-------------|-----|--------------------------------------------------------------------------------------------------------------------------------------------------------------------------------------------------------------------------------------------------------------------------------|
| 16 | 32651 | | Lever, Governor |
| 19A | 35203 | | Spring, Extension |
| 19 | 34043 | | Spring, Extension |
| 64 | 30063 | | Screw, Torx T-30, 1/4-20 x 1/2" |
| 70 | 35382A | | Flange Ass'y. (Incl. 72, 75, 80 & 81) |
| 72 | 31927 | | Plug, Pipe |
| 92 | 650880 | | Washer, Lock |
| 103 | 650814 | | Screw, Torx T-15, 10-24 x 1" |
| 186 | 33860 | | Link, Governor-to-throttle |
| 202 | 33802 | | Spring, Compression |
| 205 | 650777 | | Screw, 6-32 x 21/32" |
| 209A | 30312 | | Screw, 10-24 x 1/2" |
| 210 | 27793 | | Clip, Conduit |
| 211 | 28942 | | Screw, 10-32 x 3/8" |
| 212 | 35550 | | Bushing, Governor Adjusting lever |
| 216 | 35202A | | R.P.M. Adj. Lever (Incl.19A,209A,212, 222,239) |
| 222 | 30312 | | Screw, 10-32 x 1/2" |
| 240 | 34909 | | Body, Air cleaner |
| 243 | 650834 | | Screw, 10-32 x 1-17/32" |
| 274 | 27930 | | * Exhaust Gasket (use as required) |
| 277 | 650729 | | Screw, 5/16-18 x 3-3/16" (Use As Req.) |
| 277 | 651002 | | Screw, 5/16-18 x 4-3/16" (Use As Req.) |
| 277 | 30196 | | Screw, 5/16-18 x 3/4" (Use As Req.) |
| 286C | 35411 | | Screen, Stationary |
| 287 | | | Rivet, Pop (Can be purchased locally) |
| 325A | 29443 | | Clip, Fuel line |
| 325B | 27275 | | Clip, High tension wire |
| 327 | 34113 | | Plug, Screen |
| 361 | 30063 | | Screw, Torx T-30, 1/4-20 x 1/2" |
| 395 | 33605 | | Electric Starter Motor (12 Volt) NOTE: Engine requires a ringgear flywheel (611091 minimum) and the cylinder must have drilled and tapped starter mounting bosses to add the electric starter. (Refer to Division 5, Section D, page 20 for breakdown or Fiche 10A, Grid G-11) |
| 415 | 730130 | | Exh.Adapter Kit (Incl. 274 & 277)(As req.) |

ILLUSTRATION SHOWS TYPICAL PARTS ONLY. ORDER BY PART NUMBER. PARTS NOT LISTED ARE SUPPLIED BY OEM.

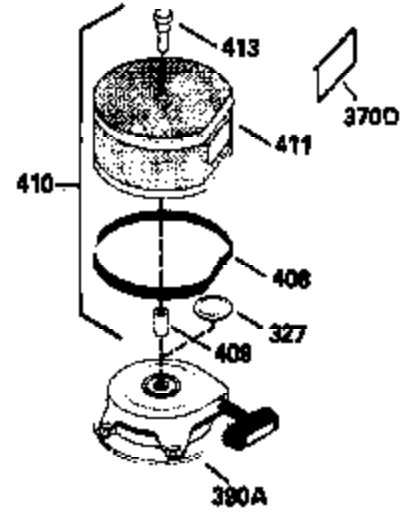
**OPTIONAL SPARK
ARRESTOR**



**VIEW 3 of 3
MUFFLER (QUIET)
(OPTIONAL)**



**DEBRIS SCREEN KIT
(OPTIONAL)**



| Ref # | Part Number | Qty | Description |
|-------|-------------|-----|--------------------------------------------|
| 275C | 35824 | | Muffler (Quiet) (Optional) |
| 277 | 650729 | | Screw, 5/16-18 x 3-3/16" (Use As Req.) |
| 277 | 651002 | | Screw, 5/16-18 x 4-3/16" (Use As Req.) |
| 277 | 30196 | | Screw, 5/16-18 x 3/4" (Use As Req.) |
| 327 | 34113 | | Plug, Screen |
| 370C | 34870 | | Decal, Instruction (Optional) |
| 370D | 34387 | | Decal, Instruction (Optional) |
| 408 | 35570 | | Screen Seal (Optional) |
| 409 | 35569 | | Spacer (Optional) |
| 410 | 730573 | | Opt.Screen Kit(Incl.370D,408,409,411, 413) |
| 411 | 35568 | | Debris Screen (Optional) |
| 413 | 650907 | | Screw, 5/16-18 x 1-5/8" (Optional) |
| 416 | 34479 | | Spark Arrestor Kit (Optional) |
| 425 | 730572 | | Starter Muff Kit(Incl.370C,426,427)(O pt.) |
| 426 | 34687 | | Starter Air Cleaner (Optional) |
| 427 | 34869 | | Starter Air Cleaner Bracket (Optional) |