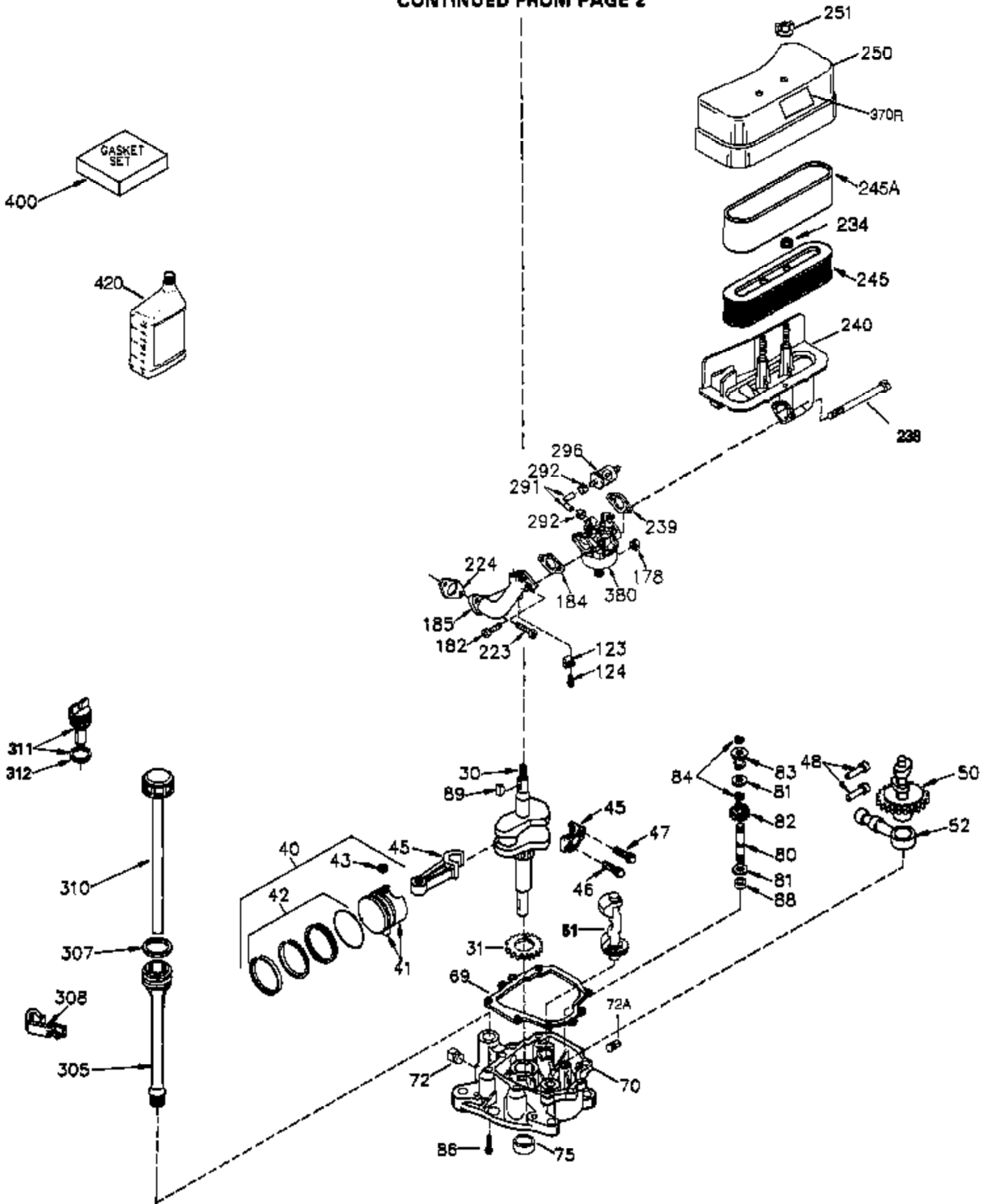


## Engine Parts List #1

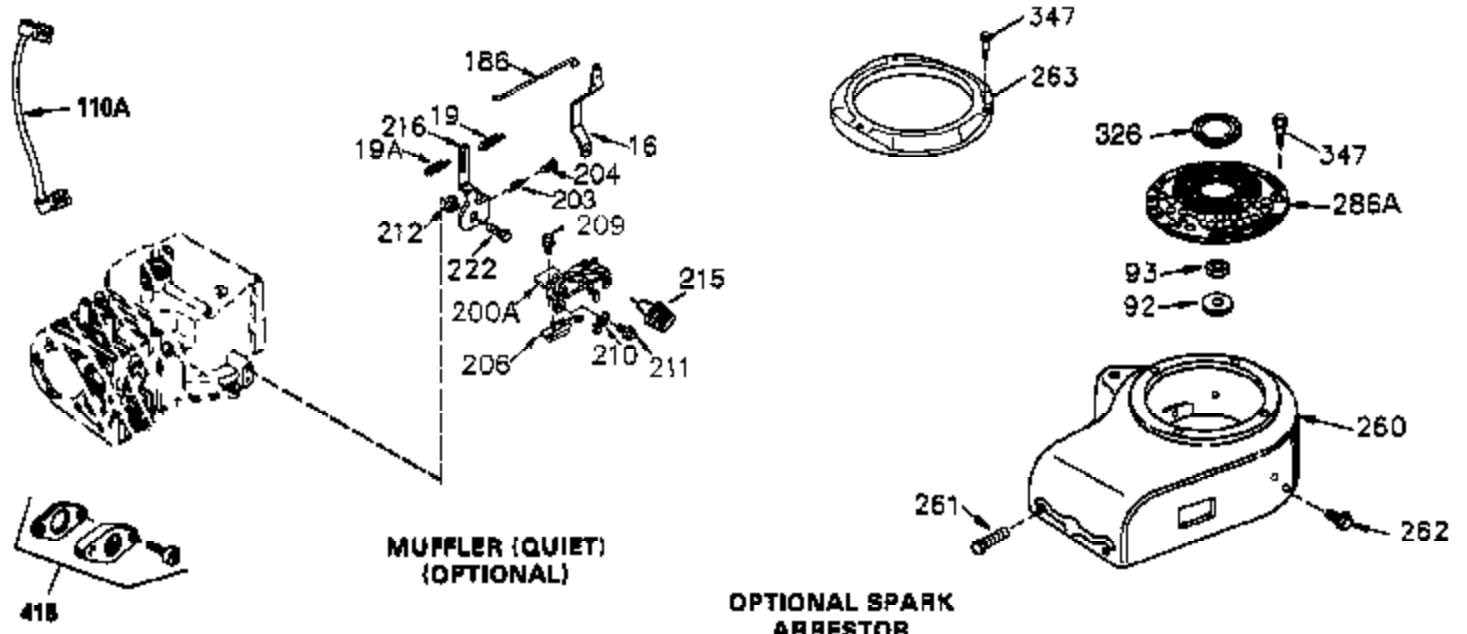
Ref #	Part Number	Qty	Description
	1 35745	1	Cylinder (Incl. 2 & 20)
	2 27652	2	Dowel Pin
	14 28277	2	Washer
	15 35082	1	Governor Rod
	16 36494	1	Governor Lever
	17 29916	1	Governor Lever Clamp
	18 651028	1	Screw Torx T-15, 8-32 x 3/8"
	19A 36495	1	Extension Spring
	20 35319	1	Oil Seal
	25 36460	1	Blower Housing Baffle
	26 650561	2	Screw, 1/4-20 x 5/8"
	28 30322	1	Nut & Lockwasher 8-32
	35 29826	1	Screw 10-32 x 3/4"
	36 29918	1	Lock Washer
	37 29216	1	Lock Nut 10-32
	38 29642	1	Retaining Ring
	60 33273A	1	Blower Housing Extension
	62 650760	1	Screw, 8-32 x 3/8"
	63 28545	1	Grommet
	65 650128	1	Screw 10-24 x 1/2"
	66 650990	1	Screw 5/16-18 x 15/32"
	68 33356	1	Ground Terminal
	90 611090	1	Flywheel
	92 650880	1	Lock Washer
	93 650881	1	Flywheel Nut
	100 35135	1	Solid State Ignition
	101 610118	1	Spark Plug Cover
	102 651024	2	Solid State Mounting Stud
	103 651007	2	Screw, Torx T-15, 10-24 x 15/16"
	110 35349	1	Ground Wire
	119 36448	1	* Cylinder Head Gasket
	120 36449	1	Cylinder Head
	125 27878A	1	Exhaust Valve (Std.) (Incl. 151)
	125 27880A	1	Exhaust Valve (1/32" OS) (Incl. 151)
	126 34035	1	Intake Valve (Std.) (Incl. 151)
	126 34036	1	Intake Valve (1/32" OS) (Incl. 151)
	127 650691	9	Washer
	128 650690	9	Belleville Washer
	130 650694A	9	Screw, 5/16-18 x 2"
	135 33636	1	Resistor Spark Plug (RJ17LM)
	149 27882	1	Valve Spring Cap
	149A 35862	1	Valve Spring Cap
	150 27881	2	Valve Spring
	151 32581	2	Valve Spring Keeper
	169 27896A	2	* Valve Cover Gasket
	170 28423	1	Breather Body
	171 28424	1	Breather Element
	172 28425	1	Valve Cover
	173 35350	1	Breather Tube
	174 650128	2	Screw, 10-24 x 1/2"
	186 33860	1	Governor Link
	200 35956	1	Control Bracket (Incl. 203 & 204)
	203 36482	1	Compression Spring
	204 650777	1	Screw, 6-32 x 21/32"
	207 35989	1	Choke Link
	209 650902	2	Screw 10-32 x 7/16"
	210 27793	1	Conduit Clip
	211 28942	1	Screw, 10-32 x 3/8"

Ref #	Part Number	Qty	Description
260	33635C	1	Blower Housing
261	650788	2	Screw 5/16-18 x 3/4"
262	29747B	2	Screw Torx T-40, 5/16-24 x 21/32"
264A	650802	1	Screw 1/4-20 x 5/8"
265	33272C	1	Cylinder Head Cover
275	34185B	1	Muffler
276	31588	1	Locking Plate
277	650729	2	Screw 5/16-18 x 3-3/16"
281	33013	1	Starter Hole Cover
282	650760	1	Screw 8-32 x 3/8"
285	35985B	1	Starter Hub
287	29752	4	Nut & Lockwasher, 1/4-28
290	30705	1	Fuel Line
292	26460	2	Fuel Line Clamp
298	28763	2	Screw, 10-32 x 35/64"
300	33583B	1	Fuel Tank (Incl. 292, 298 & 301)
301	36246	1	Fuel Cap
325	34246	1	Wire Clip
327	35392	1	Starter Plug
355	590701	1	Starter Handle
370A	35274	1	Oil Instruction Decal
370	36261	1	Instruction Decal
390	590704	1	Rewind Starter (Note: This engine could have been built with 590671 starter. Refer to the design of the rope pulley strength ribs for part identification. Individual starter parts do not interchange. Refer to service bulletin number 116).

CONTINUED FROM PAGE 2

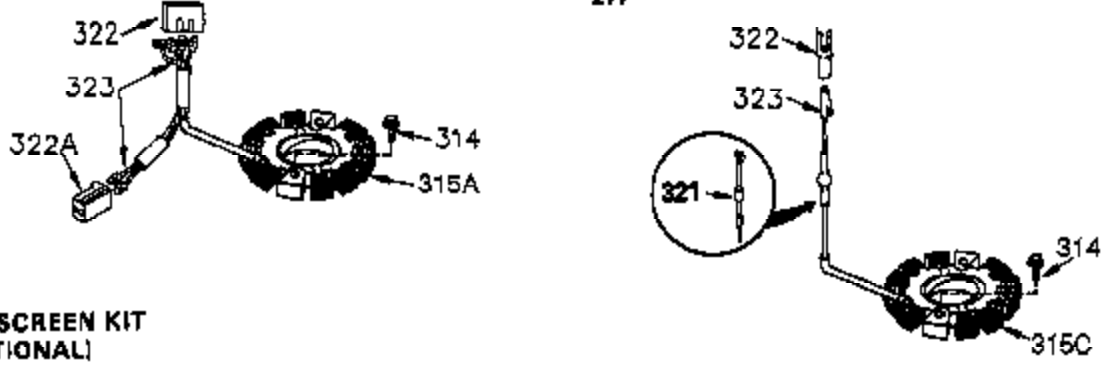
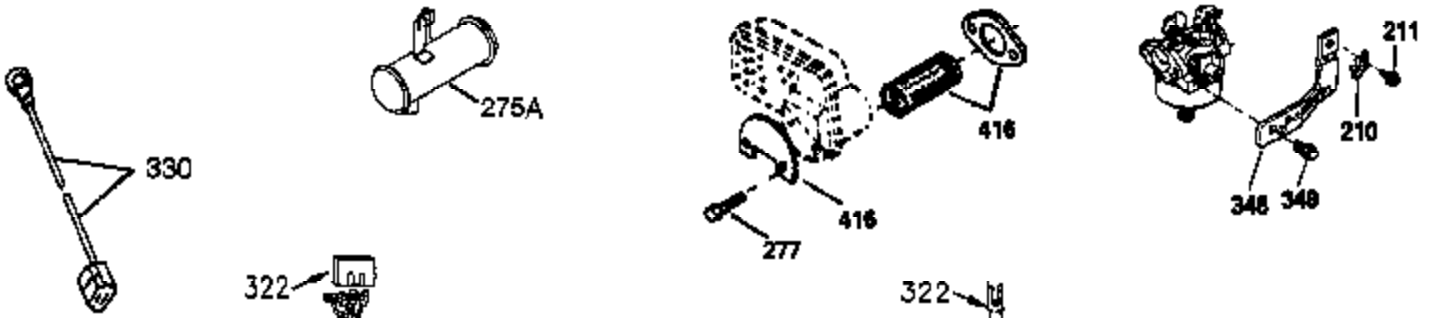


Ref #	Part Number	Qty	Description
30	35746B	1	Crankshaft
31	35327	1	Counterbalance Gear
40	34552	1	Piston, Pin & Ring Set (Std.)
40	34553	1	Piston, Pin & Ring Set (.010" OS)
40	34554	1	Piston, Pin & Ring Set (.020" OS)
41	34329A	1	Piston & Pin Ass'y. (Std.) (Incl. 43)
41	34330A	1	Piston & Pin Ass'y. (.010" OS) (Incl. 43)
41	34331A	1	Piston & Pin Ass'y. (.020" OS) (Incl. 43)
42	34332	1	Ring Set (Std.)
42	34333	1	Ring Set (.010" OS)
42	34334	1	Ring Set (.020" OS)
43	27888	2	Piston Pin Retaining Ring
45	36897	1	Connecting Rod Ass'y. (Incl. 47)
47	651033	2	Connecting Rod Bolt
48	34034	2	Valve Lifter
50	35381	1	Camshaft (MCR)
51	35747A	1	Counterbalance Weight
52	31356	1	Oil Pump Ass'y.
69	35317	1	* Mounting Flange Gasket
70	35711A	1	Mounting Flange (Incl. 72, 75 & 80)
72	31927	1	Oil Drain Plug
75	35319	1	Oil Seal
80	35783	1	Governor Shaft
81	30590A	2	Washer
82	35378	1	Governor Gear Ass'y. (Incl. 81)
83	30588A	1	Governor Spool
84	29193	2	Retaining Ring
86	650833	7	Screw, 1/4-20 x 1-3/16"
88	31707A	1	Spacer (Incl. 81)
89	32589	1	Flywheel Key
123	33261	1	Intake Pipe Bracket
124	651031	3	Screw 1/4-20 x 9/16"
178	29752	2	Nut & Lock Washer, 1/4-28
182	30088A	2	Screw, 1/4-28 x 1"
184	33263	1	* Carburetor To Intake Pipe Gasket
185	34926	1	Intake Pipe
223	650378	2	Screw Torx T-30, 5/16-18 x 1-3/32"
224	27915A	1	* Intake Pipe Gasket
234	650825	2	Nut & Lock Washer, 1/4-20
238	650834	2	Screw, 10-32 x 1-17/32"
239	33629	1	* Air Cleaner Gasket
240	35538B	1	Air Cleaner Body (Incl. 239)
245	35403	1	Air Cleaner Filter (Incl. 234)
245A	35404	1	Air Cleaner Filter
250	35961	1	Air Cleaner Cover
251	650886	2	Wing Nut 1/4-20
292	26460	2	Fuel Line Clamp
305	35574	1	Oil Fill Tube
307	35499	1	"O" Ring
308	35437	1	Fill Tube Clip
310	35576	1	Oil Dipstick
355	590701	1	Starter Handle
380	632677	1	Carburetor (Incl. 184)
400	36450B	1	* Gasket Set (Incl. items marked PK in notes) Incl. part #'s 27272A (1), 27896A (2), 27915A (1), 29673 (1), 33263 (1), 33629 (1), 34698A (1), 35262A (1), 35317 (1), 36448 (1)
420	730225	1	SAE 30 4-Cycle Engine Oil (Quart)

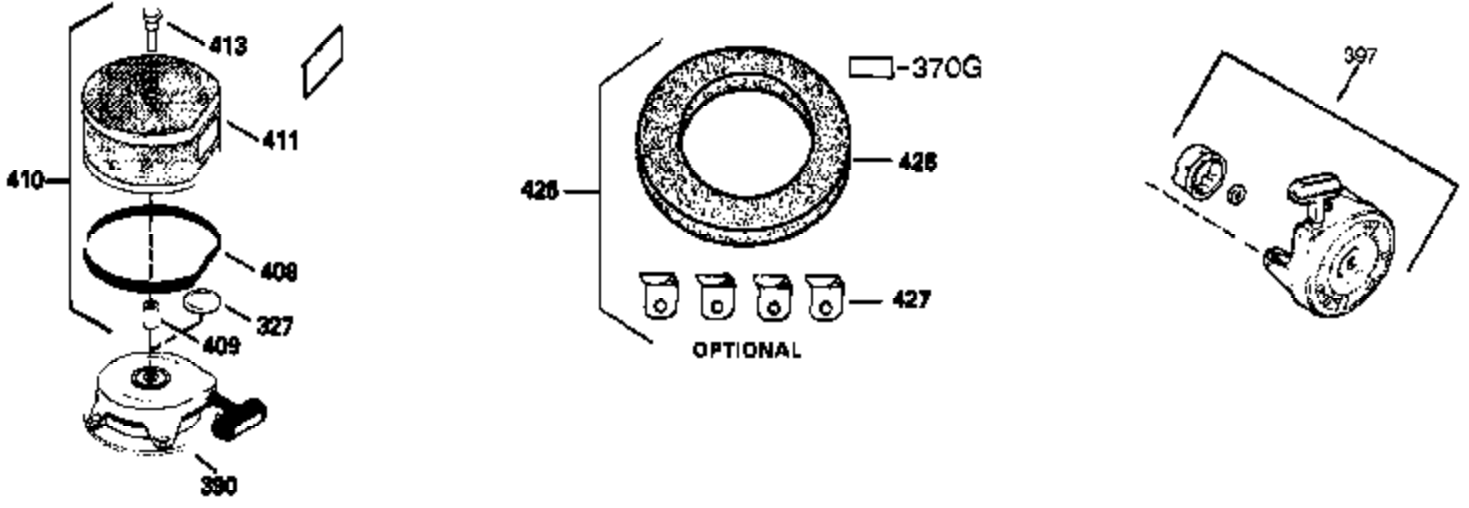


**MUFFLER (QUIET)  
(OPTIONAL)**

**OPTIONAL SPARK  
ARRESTOR**



**DEBRIS SCREEN KIT  
(OPTIONAL)**



Ref #	Part Number	Qty	Description
16	36494	1	Governor Lever
19A	36495	1	Extension Spring
92	650880	1	Lock Washer
93	650881	1	Flywheel Nut
186	33860	1	Governor Link
203	36482	1	Compression Spring
204	650777	1	Screw, 6-32 x 21/32"
209	650902	2	Screw 10-32 x 7/16"
210	27793	1	Conduit Clip
211	28942	1	Screw, 10-32 x 3/8"
260	33635C	1	Blower Housing
261	650788	2	Screw 5/16-18 x 3/4"
262	29747B	2	Screw Torx T-40, 5/16-24 x 21/32"
277	650729	2	Screw 5/16-18 x 3-3/16"
327	35392	1	Starter Plug
355	590701	1	Starter Handle
390	590704	1	Rewind Starter (Note: This engine could have been built with 590671 starter. Refer to the design of the rope pulley strength ribs for part identification. Individual starter parts do not interchange. Refer to service bulletin number 116).