



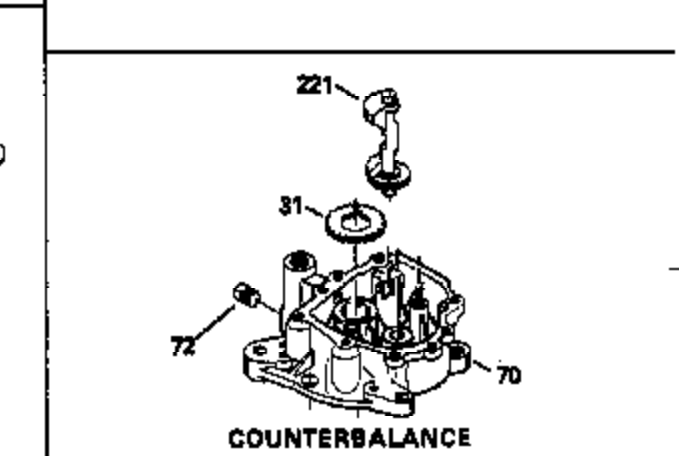
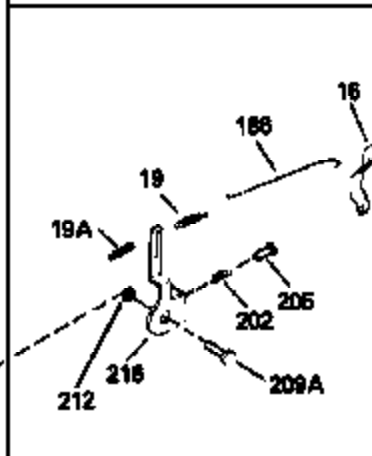
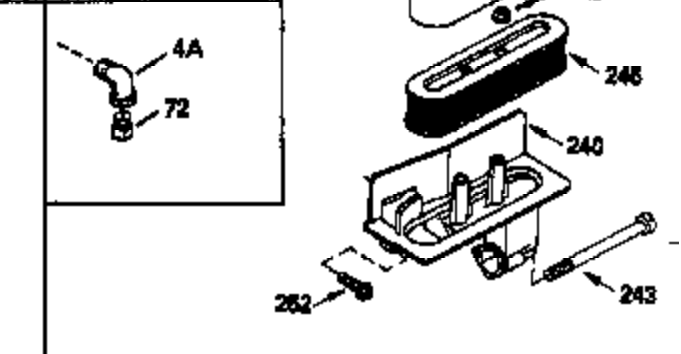
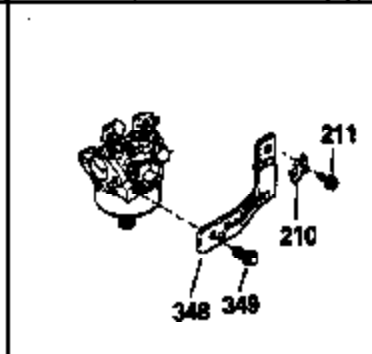
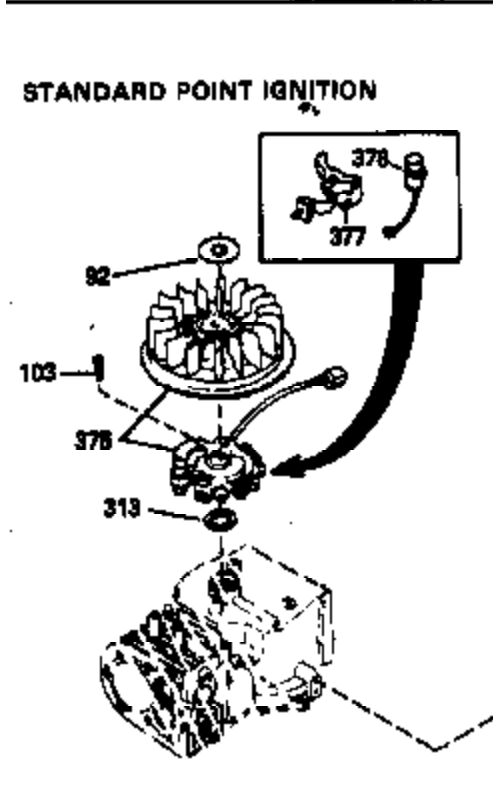
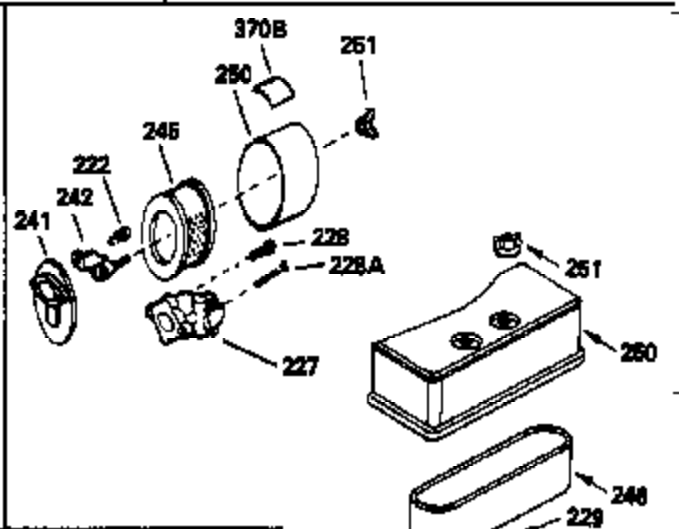
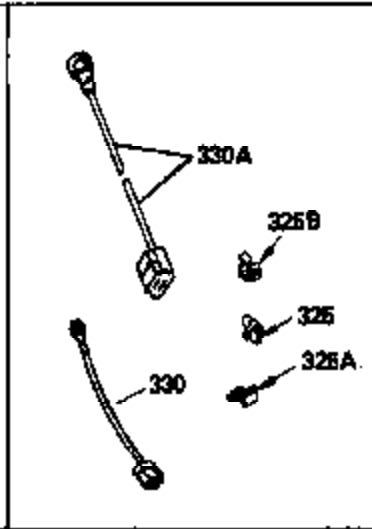
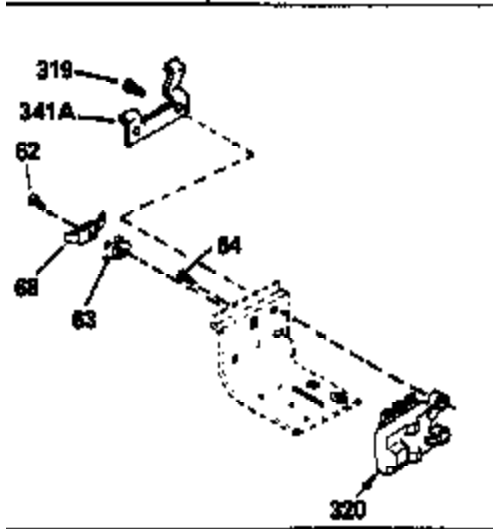
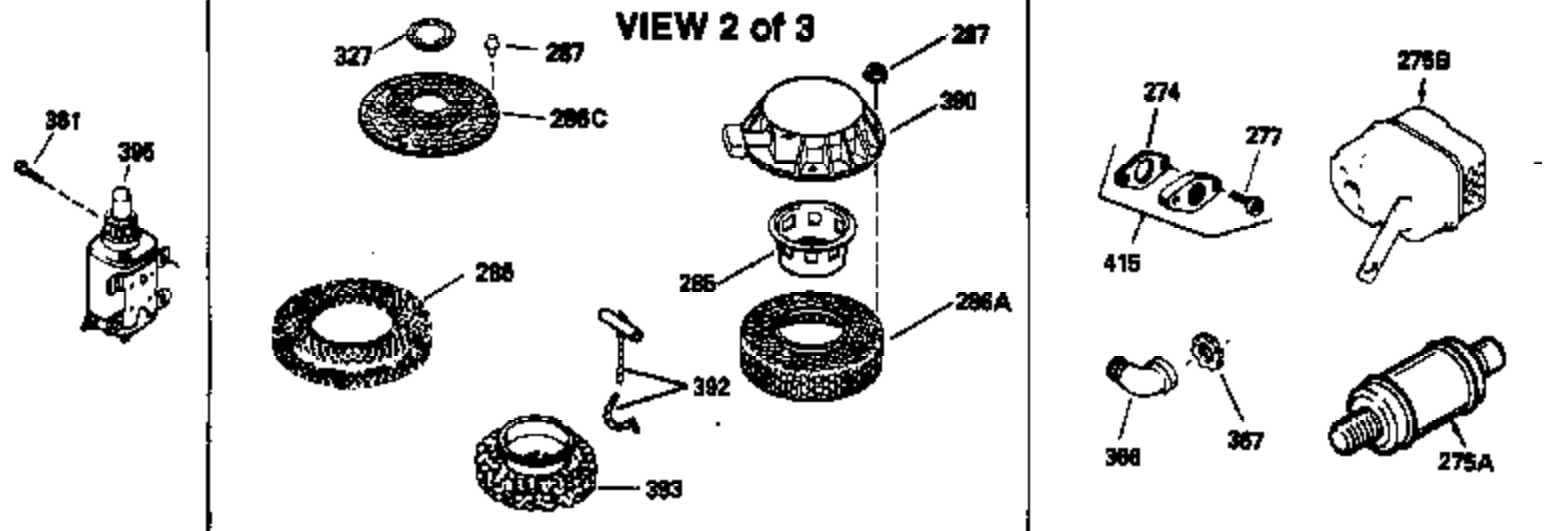
## Engine Parts List #1

| Ref # | Part Number | Qty | Description                                   |
|-------|-------------|-----|---|
| 1     | 35383       |     | Cylinder (Incl. 2 & 20) (3-1/8" Bore)         |
| 2     | 27652       |     | Pin, Dowel                                    |
| 14    | 28277       |     | Washer, Flat                                  |
| 15    | 35082       |     | Rod, Governor                                 |
| 16    | 32651       |     | Lever, Governor                               |
| 17    | 31335       |     | Clamp, Governor lever                         |
| 18    | 650548      |     | Screw, 8-32 x 5/16"                           |
| 19    | 34043       |     | Spring, Extension                             |
| 20    | 35319       |     | Seal, Oil                                     |
| 25    | 35326       |     | Baffle, Blower housing                        |
| 26    | 650561      |     | Screw, 1/4-20 x 5/8"                          |
| 30    | 35380       |     | Crankshaft                                    |
| 32    | 35653       |     | Washer (1-3/8" I.D. 1-3/4" O.D. .015" thick)  |
| 40    | 34552       |     | Piston, Pin & Ring Set (Std.) (3-1/8" Bore)   |
| 40    | 34553       |     | Piston, Pin & Ring Set (.010" OS)             |
| 40    | 34554       |     | Piston, Pin & Ring Set (.020" OS)             |
| 41    | 34329A      |     | Piston & Pin Ass'y. (Std.)(Incl. 43)( 3-1/8") |
| 41    | 34330A      |     | Piston & Pin Ass'y. (.010" OS) (Incl. 43)     |
| 41    | 34331A      |     | Piston & Pin Ass'y. (.020" OS) (Incl. 43)     |
| 42    | 34332       |     | Ring Set (Std.) (3-1/8" Bore)                 |
| 42    | 34333       |     | Ring Set (.010" OS)                           |
| 42    | 34334       |     | Ring Set (.020" OS)                           |
| 43    | 27888       |     | Ring, Piston Pin retaining                    |
| 45    | 35373A      |     | Rod Assy., Connecting (Incl. 46 & 47)         |
| 46    | 650908      |     | Bolt, Connecting rod                          |
| 47    | 650882      |     | Bolt, Connecting rod (Used 2 in early prod.)  |
| 48    | 34034       |     | Lifter, Valve                                 |
| 50    | 35381       |     | Camshaft (MCR)                                |
| 52    | 31356       |     | Pump Assy., Oil                               |
| 60    | 33273A      |     | Extension, Blower housing                     |
| 64    | 30063       |     | Screw, Torx T-30, 1/4-20 x 1/2"               |
| 65    | 650128      |     | Screw, 10-24 x 1/2"                           |
| 69    | 35262       |     | * Gasket, Mounting flange                     |
| 70    | 35382A      |     | Flange Ass'y. (Incl. 72, 75, 80 & 81)         |
| 72    | 31927       |     | Plug, Pipe                                    |
| 75    | 35319       |     | Seal, Oil                                     |
| 80    | 30668       |     | Shaft, Mechanical governor                    |
| 81    | 30590A      |     | Washer, Flat                                  |
| 82    | 35378       |     | Gear Assy., Governor (Incl. 81)               |
| 83    | 30588A      |     | Spool, Governor                               |
| 84    | 29193       |     | Ring, Retaining                               |
| 86    | 650833      |     | Screw, 1/4-20 x 1-3/16"                       |
| 88    | 31707A      |     | Governor Spacer Assy. (Incl. 81)              |
| 89    | 32589       |     | Key, Flywheel                                 |
| 90    | 611090      |     | Flywheel                                      |
| 92    | 650880      |     | Washer, Lock                                  |
| 93    | 650881      |     | Nut, Hex, 5/8-18                              |
| 100   | 35135       |     | Solid State Assy.                             |
| 101   | 610118      |     | Cover, Spark plug (Use as required)           |
| 102   | 650872      |     | Stud, Solid State mounting                    |
| 103   | 650814      |     | Screw, Torx T-15, 10-24 x 1"                  |
| 110   | 35182       |     | Wire, Ground                                  |
| 119   | 34041A      |     | * Gasket, Cylinder head                       |
| 120   | 34030       |     | Head, Cylinder                                |
| 123   | 33261       |     | Bracket, Intake pipe                          |
| 124   | 650738      |     | Screw, 1/4-20 x 5/8"                          |
| 125   | 27878A      |     | Exhaust Valve (Std.) (Incl. 151)              |
| 125   | 27880A      |     | Exhaust Valve (1/32" OS) (Incl. 151)          |

| Ref # | Part Number | Qty | Description  |
|-------|-------------|-----|--|
| 126   | 34035       |     | Intake Valve (Std.) (Incl. 151)  |
| 126   | 34036       |     | Intake Valve (1/32" OS) (Incl. 151)  |
| 127   | 650691      |     | Washer, Flat (Do not use with 6021A s crew)  |
| 128   | 650690      |     | Washer, Belleville   |
| 130   | 650694A     |     | Screw, 5/16-18 x 2"  |
| 131   | 6021A       |     | Screw, 5/16-18 x 1-1/2" (Do not use w /650691)   |
| 131   | 650788      |     | Screw, 5/16-18 x 3/4"  |
| 135   | 33636       |     | Resistor Spark Plug  |
| 149   | 27882       |     | Valve Spring Cap   |
| 149A  | 35862       |     | Seal Assy., Intake valve   |
| 150   | 27881       |     | Spring, Valve  |
| 151   | 32581       |     | Valve Spring Keeper  |
| 169   | 27896A      |     | * Gasket, Breather   |
| 170   | 28423       |     | Body Assy., Breather   |
| 171   | 28424       |     | Element, Breather  |
| 172   | 28425       |     | Cover, Breather  |
| 173   | 35350       |     | Tube, Breather   |
| 174   | 650128      |     | Screw, 10-24 x 1/2"  |
| 178   | 29752       |     | Nut & Lockwasher, 1/4-28   |
| 182   | 30088A      |     | Screw, 1/4-28 x 1"   |
| 184   | 33263       |     | * Gasket, Carburetor   |
| 185   | 34926       |     | Pipe, Intake   |
| 186   | 33860       |     | Link, Governor-to-throttle   |
| 200   | 35201       |     | Control Bracket  |
| 202   | 33802       |     | Spring, Compression  |
| 205   | 650777      |     | Screw, 6-32 x 21/32"   |
| 206   | 610973      |     | Terminal Assy. (Use as required)   |
| 209   | 30200       |     | Screw, 10-24 x 9/16"   |
| 210   | 27793       |     | Clip, Conduit  |
| 211   | 28942       |     | Screw, 10-32 x 3/8"  |
| 223   | 650378      |     | Screw, Torx T-30, 5/16-18 x 1-1/8"   |
| 224   | 27915A      |     | * Gasket, Intake pipe  |
| 239   | 33629       |     | * Gasket, Air cleaner  |
| 239A  | 34912       |     | * Gasket, Air cleaner-to-housing   |
| 243   | 650834      |     | Screw, 10-32 x 1-17/32"  |
| 246A  | 34910       |     | Element, Air cleaner   |
| 250A  | 34911       |     | Cover, Air cleaner   |
| 252A  | 650784      |     | Screw, 10-24 x 11/16"  |
| 253   | 650651      |     | Screw, 1/4-20 x 5/8"   |
| 260   | 33635B      |     | Blower Housing (For electric starter) NOTE: Replacement hardware may differ when servicing starter assy. or blower housing. Refer to Service Bulletin 508. |
| 261   | 650788      |     | Screw, 5/16-18 x 3/4"  |
| 262   | 29747B      |     | Screw, 5/16-24 x 21/32"  |
| 264A  | 650738      |     | Screw, 1/4-20 x 5/8"   |
| 264   | 650802      |     | Screw, 1/4-20 x 5/8"   |
| 265   | 33272A      |     | Cover, Cylinder head   |
| 275   | 33280A      |     | Muffler  |
| 276   | 31588       |     | Plate, Muffler locking   |
| 277   | 650729      |     | Screw, 5/16-18 x 3-3/16" (Use As Req. )  |
| 277   | 651002      |     | Screw, 5/16-18 x 4-3/16" (Use As Req. )  |
| 277   | 30196       |     | Screw, 5/16-18 x 3/4" (Use As Req. )   |
| 281   | 33013       |     | Cover, Starter bubble  |
| 282   | 650760      |     | Screw, 8-32 x 3/8"   |
| 285   | 35287       |     | Cup, Starter   |
| 287   | 29752       |     | Nut & Whizlock, 1/4-28   |
| 290   | 30705       |     | Fuel Line (Braided 16") (40cm)   |

| Ref # | Part Number | Qty | Description   |
|-------|-------------|-----|---|
| 290   | 29774       |     | Fuel Line (Braided 8-1/4") (21cm)(As req.)  |
| 292   | 26460       |     | Clamp, Fuel line  |
| 292A  | 35864       |     | Clamp, fuel filter to fuel line   |
| 298   | 28763       |     | Screw, 10-32 x 35/64"   |
| 300   | 33583B      |     | Fuel Tank (Incl. 292, 298 & 301) NOTE: This tank was built with different size fuel inlet opening. Tanks with the 1-3/16" I.D. opening use fuel cap 34210. Tanks with the 1-1/2" I.D. opening use fuel cap 35355.   |
| 301   | 33032       |     | Fuel Cap (Use as required in early pr od.)  |
| 301   | 34210       |     | Fuel Cap (Use as required in early pr od.)  |
| 307   | 33590       |     | "O" Ring  |
| 308   | 35437       |     | Clip, Oil fill tube   |
| 310   | 35837       |     | Dipstick, Oil (Incl. 307)   |
| 370   | 34346       |     | Decal, Instruction  |
| 370A  | 34686       |     | Decal, Name   |
| 379   | 631021      |     | Inlet Needle, Seat & Clip Assy.   |
| 380   | 632237      |     | Carburetor (Incl. 184) (Refer to Division 5, Section A, page 182 for breakdown or Fiche10A, Grid E-11)  |
| 381   | 29117       |     | Screw, 8-32 x 5/16 (Not used on late prod.)   |
| 382   | 33581       |     | Screen, Oil filter (Not used in late prod.)   |
| 390   | 590479      |     | Rewind Starter NOTE: Replacement hardware may differ when servicing starter assy. or blower housing. Refer to Service Bulletin 508. (Refer to Division 5, Section C, page 30 for breakdown or Fiche 10A, Grid G-9)) |
| 400   | 33279G      |     | * Gasket Set (Incl. items marked *)   |
| 407   | 35837       |     | Fill Tube & Dipstick Assy.  |

ILLUSTRATION SHOWS TYPICAL PARTS ONLY. ORDER BY PART NUMBER. PARTS NOT LISTED ARE SUPPLIED BY DEM.



| Ref # | Part Number | Qty | Description   |
|-------|-------------|-----|---|
| 16    | 32651       |     | Lever, Governor   |
| 19    | 34043       |     | Spring, Extension   |
| 19A   | 35203       |     | Spring, Extension   |
| 64    | 30063       |     | Screw, Torx T-30, 1/4-20 x 1/2"   |
| 70    | 35382A      |     | Flange Ass'y. (Incl. 72, 75, 80 & 81)   |
| 72    | 31927       |     | Plug, Pipe  |
| 92    | 650880      |     | Washer, Lock  |
| 103   | 650814      |     | Screw, Torx T-15, 10-24 x 1"  |
| 186   | 33860       |     | Link, Governor-to-throttle  |
| 202   | 33802       |     | Spring, Compression   |
| 205   | 650777      |     | Screw, 6-32 x 21/32"  |
| 210   | 27793       |     | Clip, Conduit   |
| 211   | 28942       |     | Screw, 10-32 x 3/8"   |
| 216   | 35202A      |     | R.P.M. Adj. Lever (Incl.19A,209A,212, 222,239)  |
| 222   | 650807      |     | Screw, 10-32 x 27/64"   |
| 240   | 34909       |     | Body, Air cleaner   |
| 243   | 650834      |     | Screw, 10-32 x 1-17/32"   |
| 274   | 27930       |     | * Exhaust Gasket (use as required)  |
| 277   | 650729      |     | Screw, 5/16-18 x 3-3/16" (Use As Req. )   |
| 277   | 651002      |     | Screw, 5/16-18 x 4-3/16" (Use As Req. )   |
| 277   | 30196       |     | Screw, 5/16-18 x 3/4" (Use As Req. )  |
| 285   | 35287       |     | Cup, Starter  |
| 286A  | 35194       |     | Screen, Starter   |
| 287   | 29752       |     | Nut & Whizlock, 1/4-28  |
| 325A  | 29443       |     | Clip, Fuel line   |
| 390   | 590479      |     | Rewind Starter NOTE: Replacement hardware may differ when servicing starter assy. or blower housing. Refer to Service Bulletin 508. (Refer to Division 5, Section C, page 30 for breakdown or Fiche 10A, Grid G-9)) |
| 415   | 730130      |     | Exh.Adapter Kit (Incl. 274 & 277)(As req.)  |

ILLUSTRATION SHOWS TYPICAL PARTS ONLY. ORDER BY PART NUMBER. PARTS NOT LISTED ARE SUPPLIED BY OEM.

**OPTIONAL SPARK  
ARRESTOR**



**VIEW 3 of 3  
MUFFLER (QUIET)  
(OPTIONAL)**



**DEBRIS SCREEN KIT  
(OPTIONAL)**



| Ref # | Part Number | Qty | Description                                |
|-------|-------------|-----|--|
| 275C  | 35824       |     | Muffler (Quiet) (Optional)                 |
| 275   | 33280A      |     | Muffler                                    |
| 277   | 650729      |     | Screw, 5/16-18 x 3-3/16" (Use As Req. )    |
| 277   | 651002      |     | Screw, 5/16-18 x 4-3/16" (Use As Req. )    |
| 277   | 30196       |     | Screw, 5/16-18 x 3/4" (Use As Req. )       |
| 370C  | 34870       |     | Decal, Instruction (Optional)              |
| 370D  | 34387       |     | Decal, Instruction (Optional)              |
| 408   | 35570       |     | Screen Seal (Optional)                     |
| 409   | 35569       |     | Spacer (Optional)                          |
| 410   | 730573      |     | Opt.Screen Kit(Incl.370D,408,409,411, 413) |
| 411   | 35568       |     | Debris Screen (Optional)                   |
| 413   | 650907      |     | Screw, 5/16-18 x 1-5/8" (Optional)         |
| 416   | 34479       |     | Spark Arrestor Kit (Optional)              |
| 425   | 730572      |     | Starter Muff Kit(Incl.370C,426,427)(O pt.) |
| 426   | 34687       |     | Starter Air Cleaner (Optional)             |
| 427   | 34869       |     | Starter Air Cleaner Bracket (Optional )    |