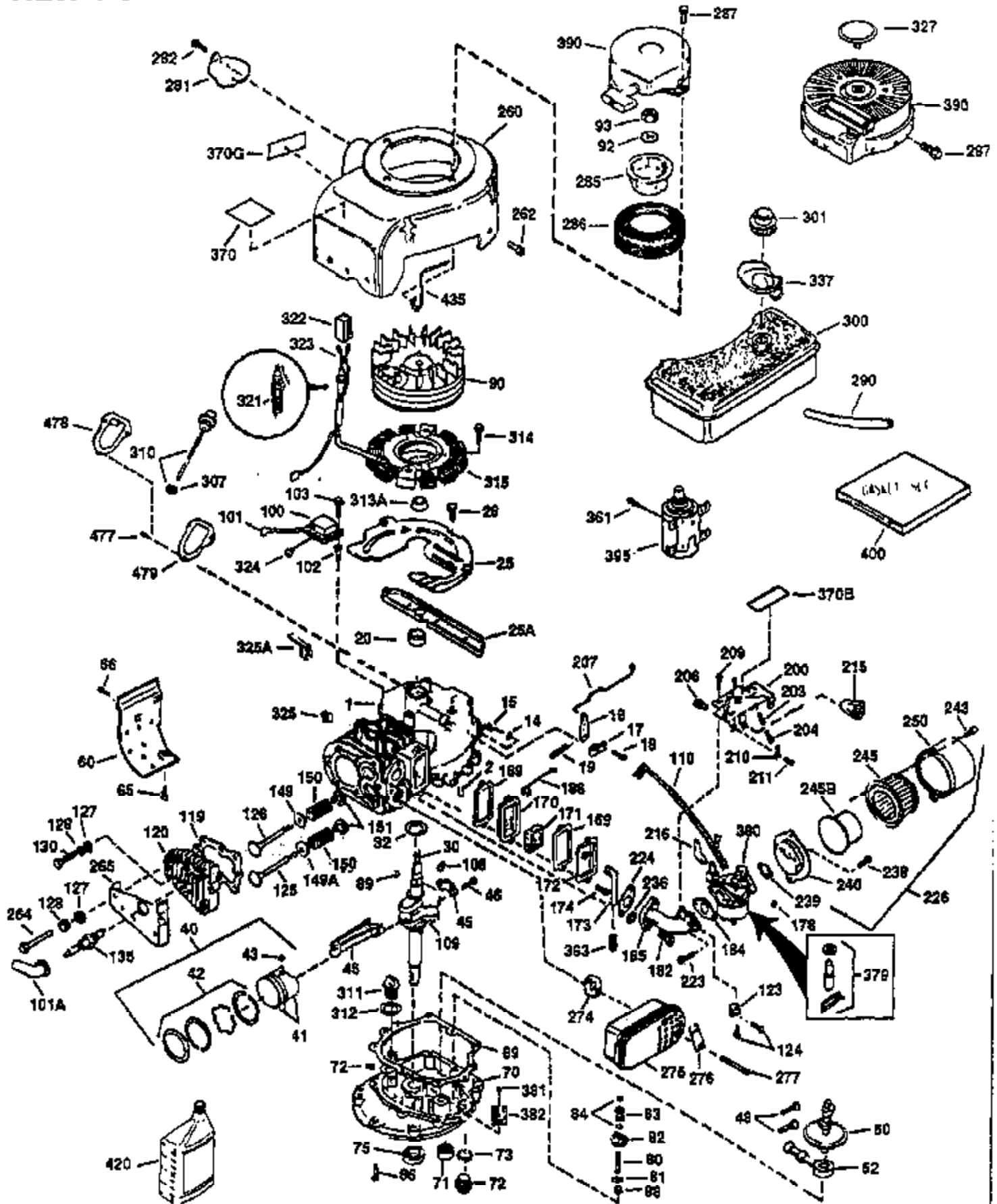


ILLUSTRATION SHOWS TYPICAL PARTS ONLY. ORDER BY PART NUMBER. PARTS NOT LISTED ARE SUPPLIED BY OEM.

VIEW 1 OF 2



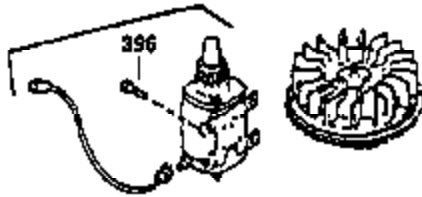
## Engine Parts List #1

| Ref # | Part Number | Qty | Description                               |
|-------|-------------|-----|---|
|       | 1 34913A    | 1   | Cylinder (Incl. 2 & 20)                   |
|       | 2 27652     | 2   | Dowel Pin                                 |
|       | 14 28277    | 1   | Washer                                    |
|       | 15 30669    | 1   | Governor Rod (Incl. 14)                   |
|       | 16 31357    | 1   | Governor Lever                            |
|       | 17 31335    | 1   | Governor Lever Clamp                      |
|       | 18 650548   | 1   | Screw, 8-32 x 5/16"                       |
|       | 19 31361    | 1   | Extension Spring                          |
|       | 20 32630    | 1   | Oil Seal                                  |
|       | 25 29536    | 1   | Blower Housing Baffle                     |
|       | 26 650561   | 2   | Screw, 1/4-20 x 5/8"                      |
|       | 30 35196    | 1   | Crankshaft                                |
|       | 40 34531    | 1   | Piston, Pin & Ring Set (Std.)             |
|       | 40 34532    | 1   | Piston, Pin & Ring Set (.010" OS)         |
|       | 40 34533    | 1   | Piston, Pin & Ring Set (.020" OS)         |
|       | 41 33312B   | 1   | Piston & Pin Ass'y. (Std.) (Incl. 43)     |
|       | 41 33313B   | 1   | Piston & Pin Ass'y. (.010" OS) (Incl. 43) |
|       | 41 33314B   | 1   | Piston & Pin Ass'y. (.020" OS) (Incl. 43) |
|       | 42 34854    | 1   | Ring Set (Std.)                           |
|       | 42 34855    | 1   | Ring Set (.010" OS)                       |
|       | 42 34856    | 1   | Ring Set (.020" OS)                       |
|       | 43 27888    | 2   | Piston Pin Retaining Ring                 |
|       | 45 31380C   | 1   | Connecting Rod Ass'y. (Incl. 46)          |
|       | 46 650662C  | 2   | Connecting Rod Bolt                       |
|       | 48 34034    | 2   | Valve Lifter                              |
|       | 50 32114    | 1   | Camshaft                                  |
|       | 52 31356    | 1   | Oil Pump Ass'y.                           |
|       | 60 30622A   | 1   | Blower Housing Extension                  |
|       | 64 30063    | 1   | Screw, Torx T-30, 1/4-20 x 1/2"           |
|       | 65 650128   | 1   | Screw, 10-24 x 1/2"                       |
|       | 69 30684    | 1   | * Mounting Flange Gasket                  |
|       | 70 31471D   | 1   | Mounting Flange (Incl. 72,72A,75,80 & 81) |
|       | 72 27642    | 1   | Oil Drain Plug                            |
|       | 72A 28582   | 1   | Oil Drain Plug                            |
|       | 75 27897    | 1   | Oil Seal                                  |
|       | 80 30668    | 1   | Governor Shaft                            |
|       | 81 30590A   | 2   | Washer                                    |
|       | 82 30591    | 1   | Governor Gear Ass'y. (Incl. 81)           |
|       | 83 30588A   | 1   | Governor Spool                            |
|       | 84 29193    | 2   | Retaining Ring                            |
|       | 86 650488   | 7   | Screw, 1/4-20 x 1-1/4"                    |
|       | 88 31707A   | 1   | Spacer (Incl. 81)                         |
|       | 89 32589    | 1   | Flywheel Key                              |
|       | 90 611084   | 1   | Flywheel                                  |
|       | 92 650815   | 1   | Belleville Washer                         |
|       | 93 8116     | 1   | Flywheel Nut                              |
|       | 100 34443A  | 1   | Solid State Ignition                      |
|       | 101 610118  | 1   | Spark Plug Cover                          |
|       | 102 650872  | 2   | Solid State Mounting Stud                 |
|       | 103 650814  | 2   | Screw, Torx T-15, 10-24 x 1"              |
|       | 110 36230   | 1   | Ground Wire                               |
|       | 119 28938C  | 1   | * Cylinder Head Gasket                    |
|       | 120 30938A  | 1   | Cylinder Head                             |
|       | 125 27878A  | 1   | Exhaust Valve (Std.) (Incl. 151)          |
|       | 125 27880A  | 1   | Exhaust Valve (1/32" OS) (Incl. 151)      |
|       | 126 32783   | 1   | Intake Valve (Std.) (Incl. 151)           |
|       | 126 32784   | 1   | Intake Valve (1/32" OS) (Incl. 151)       |
|       | 127 650691  | 8   | Washer                                    |

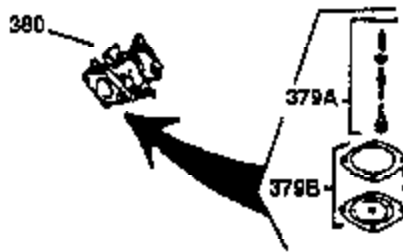
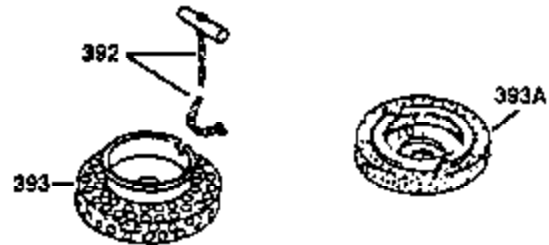
| Ref # | Part Number | Qty | Description   |
|-------|-------------|-----|---|
| 128   | 650690      | 8   | Belleville Washer   |
| 130   | 650697A     | 8   | Screw, 5/16-18 x 2-1/2"   |
| 135   | 33636       | 1   | Resistor Spark Plug (RJ17LM)  |
| 149   | 27882       | 2   | Valve Spring Cap  |
| 150   | 27881       | 2   | Valve Spring  |
| 151   | 32581       | 2   | Valve Spring Keeper   |
| 169   | 27896A      | 2   | * Valve Cover Gasket  |
| 170   | 28423       | 1   | Breather Body   |
| 171   | 28424       | 1   | Breather Element  |
| 172   | 28425       | 1   | Valve Cover   |
| 173   | 35350       | 1   | Breather Tube   |
| 174   | 650128      | 2   | Screw, 10-24 x 1/2"   |
| 178   | 650517      | 2   | Screw, 1/4-20 x 27/32"  |
| 182   | 650378      | 2   | Screw, Torx T-30, 5/16-18 x 1-1/8"  |
| 184   | 26756       | 1   | * Carburetor To Intake Pipe Gasket  |
| 185   | 32632       | 1   | Intake Pipe   |
| 186   | 32582       | 1   | Governor Link   |
| 200   | 32264A      | 1   | Control Bracket (Incl.203, 204 & 206)   |
| 203   | 31342       | 1   | Compression Spring  |
| 204   | 650549      | 1   | Screw, 5-40 x 7/16"   |
| 206   | 610973      | 1   | Terminal  |
| 207   | 31823       | 1   | Throttle Link   |
| 209   | 30200       | 2   | Screw, 10-24 x 9/16"  |
| 215   | 32410       | 1   | Control Knob  |
| 224   | 27915A      | 1   | * Intake Pipe Gasket  |
| 238   | 28820       | 2   | Screw, 10-32 x 1/2"   |
| 239   | 27272A      | 1   | * Air Cleaner Gasket  |
| 240   | 31691       | 1   | Air Cleaner Body  |
| 243   | 650152      | 2   | Screw, 8-32 x 3/8"  |
| 245   | 30727       | 1   | Air Cleaner Filter  |
| 250   | 31715       | 1   | Air Cleaner Cover   |
| 260   | 35892       | 1   | Blower Housing  |
| 261   | 29747B      | 2   | Screw, Torx T-40, 5/16-24 x 21/32"  |
| 265   | 30939A      | 1   | Cylinder Head Cover   |
| 274   | 35865       | 1   | * Exhaust Gasket  |
| 275   | 28269       | 1   | Muffler   |
| 276   | 31588       | 1   | Locking Plate   |
| 277   | 650696      | 2   | Screw, 5/16-18 x 2-3/4"   |
| 285   | 32125       | 1   | Starter Cup   |
| 287   | 650884      | 4   | Screw, 8-32 x 1/2"  |
| 290   | 29774       | 1   | Fuel Line (2.00")   |
| 300   | 32584       | 1   | Fuel Tank (Incl. 301)   |
| 301   | 33032       | 1   | Fuel Cap  |
| 307   | 29673       | 1   | * Oil Fill Plug Gasket  |
| 310   | 34165       | 1   | Dipstick (Incl. 307)  |
| 325   | 29443       | 1   | Wire Clip   |
| 327   | 35392       | 1   | Starter Plug  |
| 370A  | 34346       | 1   | Lubrication Decal   |
| 370   | 550223      | 1   | Logo Decal  |
| 380   | 632233      | 1   | Carburetor (Incl. 184)  |
| 390   | 590666      | 1   | Rewind Starter  |
| 400   | 33234B      | 1   | * Gasket Set (Incl. items marked PK in notes) Incl. part #'s<br>26756 (1), 27272A (2), 27896A (2), 27913A (1), 27915A (1),<br>28747 (1), 28833 (1), 28938C (1), 29673 (1), 30684 (1),<br>31688A (1), 33263 (1), 33629 (1), 34912 (1), 35865 (1) |
| 420   | 730225      | 1   | SAE 30 4-Cycle Engine Oil (Quart)   |
| 435   | 33549       | 1   | Hold Down Clamp   |

ILLUSTRATION SHOWS TYPICAL PARTS ONLY. ORDER BY PART NUMBER. PARTS NOT LISTED ARE SUPPLIED BY OEM.

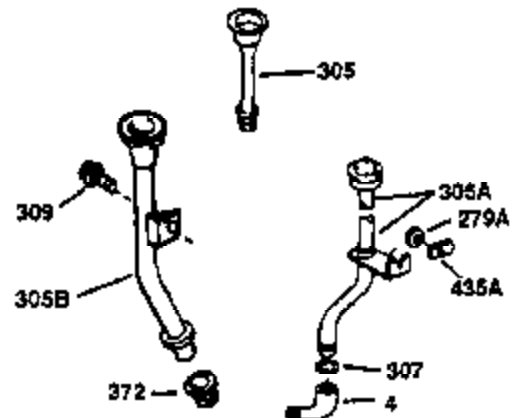
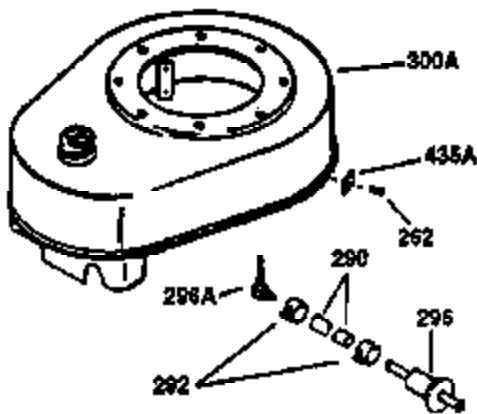
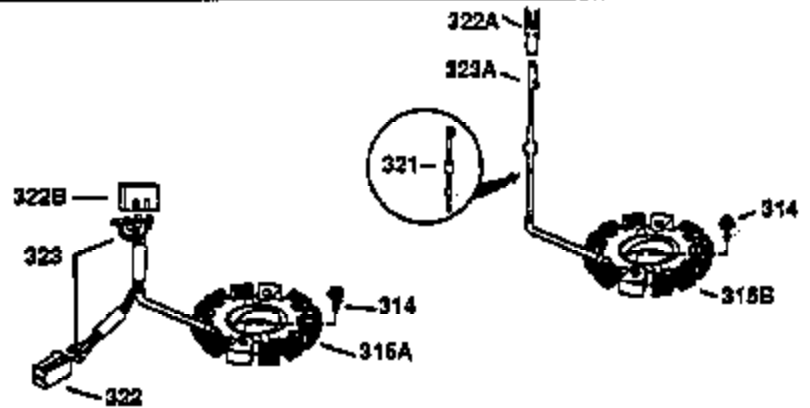
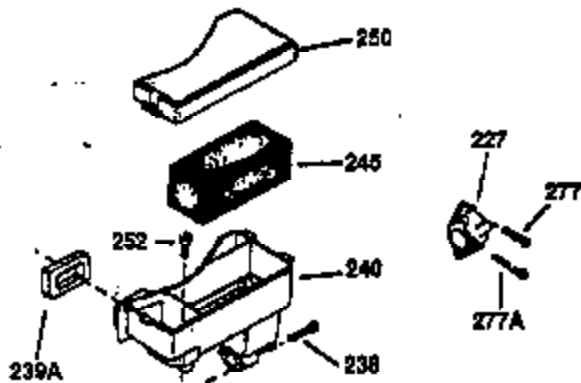
**VIEW 2 OF 2**



OPTIONAL 110 - 120 VOLT  
STARTER MOTOR KIT



STD. POINT



| Ref # | Part Number | Qty | Description                        |
|-------|-------------|-----|------------------------------------|
| 64    | 30063       | 1   | Screw, Torx T-30, 1/4-20 x 1/2"    |
| 72A   | 28582       | 1   | Oil Drain Plug                     |
| 103   | 650814      | 2   | Screw, Torx T-15, 10-24 x 1"       |
| 238   | 28820       | 2   | Screw, 10-32 x 1/2"                |
| 240   | 31691       | 1   | Air Cleaner Body                   |
| 245   | 30727       | 1   | Air Cleaner Filter                 |
| 250   | 31715       | 1   | Air Cleaner Cover                  |
| 261   | 29747B      | 2   | Screw, Torx T-40, 5/16-24 x 21/32" |
| 274   | 35865       | 1   | * Exhaust Gasket                   |
| 275   | 28269       | 1   | Muffler                            |
| 277   | 650696      | 2   | Screw, 5/16-18 x 2-3/4"            |
| 290   | 29774       | 1   | Fuel Line (2.00")                  |
| 307   | 29673       | 1   | * Oil Fill Plug Gasket             |
| 370A  | 34346       | 1   | Lubrication Decal                  |
| 380   | 632233      | 1   | Carburetor (Incl. 184)             |