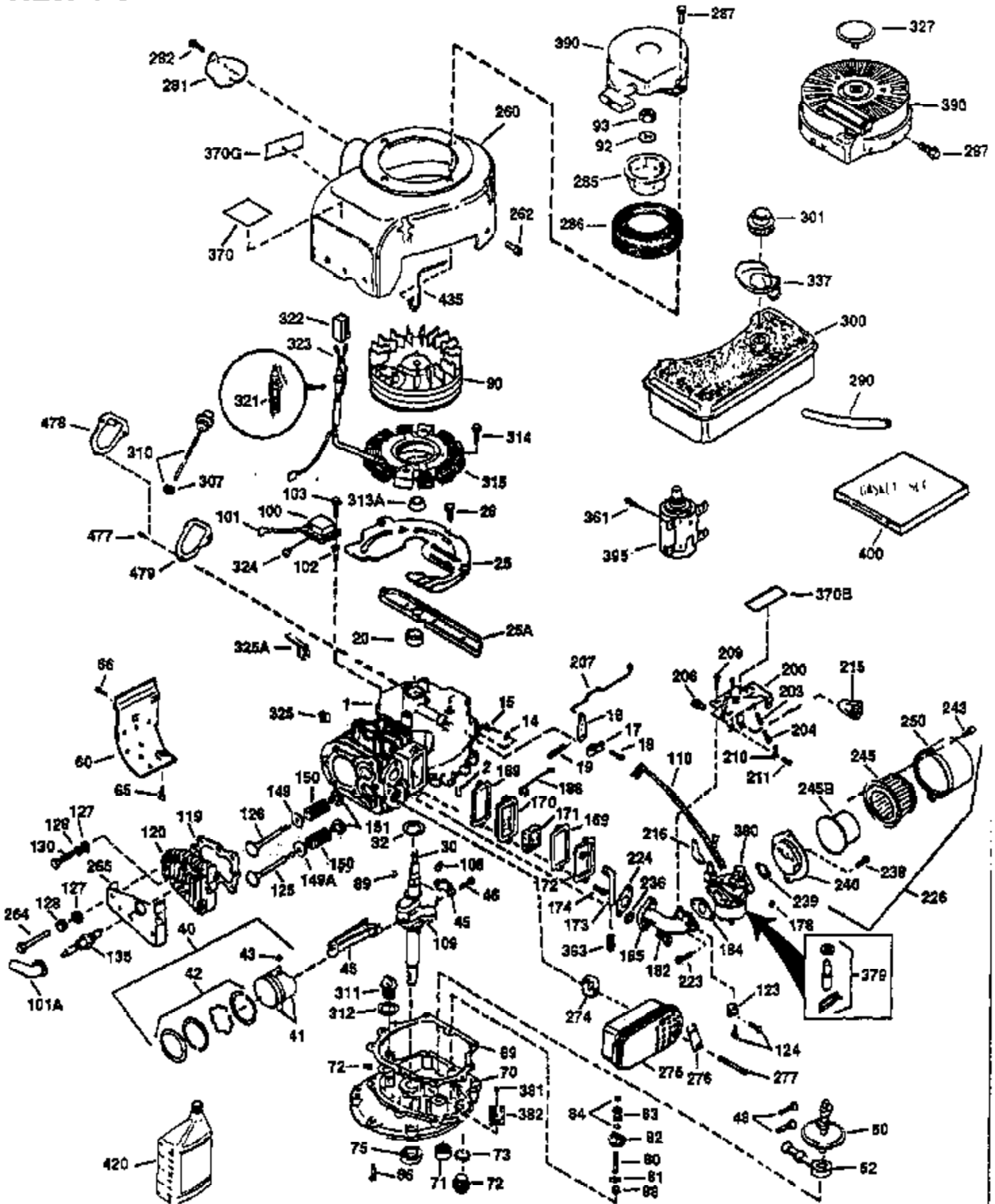


ILLUSTRATION SHOWS TYPICAL PARTS ONLY. ORDER BY PART NUMBER. PARTS NOT LISTED ARE SUPPLIED BY OEM.

VIEW 1 OF 2



Engine Parts List #1

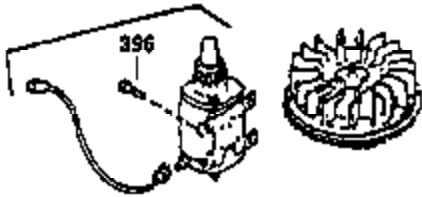
Ref #	Part Number	Qty	Description
1	34913A	1	Cylinder (Incl. 2 & 20)
2	27652	2	Dowel Pin
14	28277	1	Washer
15	30669	1	Governor Rod (Incl. 14)
16	31357	1	Governor Lever
17	31335	1	Governor Lever Clamp
18	650548	1	Screw, 8-32 x 5/16"
19	31361	1	Extension Spring
20	32630	1	Oil Seal
25	35256A	1	Blower Housing Baffle
26	650561	2	Screw, 1/4-20 x 5/8"
30	35209	1	Crankshaft
40	34531	1	Piston, Pin & Ring Set (Std.)
40	34532	1	Piston, Pin & Ring Set (.010" OS)
40	34533	1	Piston, Pin & Ring Set (.020" OS)
41	33312B	1	Piston & Pin Ass'y. (Std.) (Incl. 43)
41	33313B	1	Piston & Pin Ass'y. (.010" OS) (Incl. 43)
41	33314B	1	Piston & Pin Ass'y. (.020" OS) (Incl. 43)
42	34854	1	Ring Set (Std.)
42	34855	1	Ring Set (.010" OS)
42	34856	1	Ring Set (.020" OS)
43	27888	2	Piston Pin Retaining Ring
45	31380C	1	Connecting Rod Ass'y. (Incl. 46)
46	650662C	2	Connecting Rod Bolt
48	34034	2	Valve Lifter
50	32114	1	Camshaft
52	31356	1	Oil Pump Ass'y.
60	30622A	1	Blower Housing Extension
65	650128	1	Screw, 10-24 x 1/2"
66	30063	1	Screw, Torx T-30, 1/4-20 x 1/2"
69	30684	1	* Mounting Flange Gasket
70	35579	1	Mounting Flange (Incl. 72,75,80 & 81)
72	27642	2	Oil Drain Plug
75	27897	1	Oil Seal
80	30668	1	Governor Shaft
81	30590A	2	Washer
82	30591	1	Governor Gear Ass'y. (Incl. 81)
83	30588A	1	Governor Spool
84	29193	2	Retaining Ring
86	650488	7	Screw, 1/4-20 x 1-1/4"
88	31707A	1	Spacer (Incl. 81)
89	32589	1	Flywheel Key
90	611087	1	Flywheel (W/Ring Gear)
92	650815	1	Belleville Washer
93	8116	1	Flywheel Nut
100	34443A	1	Solid State Ignition
101	610118	1	Spark Plug Cover
102	650872	2	Solid State Mounting Stud
103	651007	2	Screw, Torx T-15, 10-24 x 15/16"
110	35195A	1	Ground Wire
119	36445	1	* Cylinder Head Gasket
120	36446	1	Cylinder Head
125	27878A	1	Exhaust Valve (Std.) (Incl. 151)
125	27880A	1	Exhaust Valve (1/32" OS) (Incl. 151)
126	32783	1	Intake Valve (Std.) (Incl. 151)
126	32784	1	Intake Valve (1/32" OS) (Incl. 151)
127	650691	8	Washer
128	650690	8	Belleville Washer

Ref #	Part Number	Qty	Description
130	650697A	8	Screw, 5/16-18 x 2-1/2"
135	33636	1	Resistor Spark Plug (RJ17LM)
149	27882	2	Valve Spring Cap
150	27881	2	Valve Spring
151	32581	2	Valve Spring Keeper
169	27896A	2	* Valve Cover Gasket
170	28423	1	Breather Body
171	28424	1	Breather Element
172	28425	1	Valve Cover
173	35350	1	Breather Tube
174	650128	2	Screw, 10-24 x 1/2"
178	650517	2	Screw, 1/4-20 x 27/32"
182	650378	2	Screw, Torx T-30, 5/16-18 x 1-1/8"
184	26756	1	* Carburetor To Intake Pipe Gasket
185	32632	1	Intake Pipe
186	32582	1	Governor Link
200	32181A	1	Control Bracket (Incl.203, 204 & 206)
203	31342	1	Compression Spring
204	650549	1	Screw, 5-40 x 7/16"
206	610973	1	Terminal
207	31823	1	Throttle Link
209	30200	2	Screw, 10-24 x 9/16"
210	27793	1	Conduit Clip
211	28942	1	Screw, 10-32 x 3/8"
224	27915A	1	* Intake Pipe Gasket
238	28820	2	Screw, 10-32 x 1/2"
239	27272A	1	* Air Cleaner Gasket
240	31691	1	Air Cleaner Body
243	650152	2	Screw, 8-32 x 3/8"
245	30727	1	Air Cleaner Filter
250	31715	1	Air Cleaner Cover
260	35885	1	Blower Housing
262	29747B	2	Screw, Torx T-40, 5/16-24 x 21/32"
265	30939A	1	Cylinder Head Cover
274	35865	1	* Exhaust Gasket
275	31574	1	Muffler
276	31588	1	Locking Plate
277	650696	2	Screw, 5/16-18 x 2-3/4"
281	33013	1	Starter Bubble Cover
282	650760	1	Screw, 8-32 x 3/8"
285	35287B	1	Starter Cup
287	650926	4	Screw, 8-32 x 21/64"
290	29774	1	Fuel Line
311	34165	1	Oil Fill Plug (Incl. 312)
312	29673	1	Oil Fill Plug Gasket
313A	35189	1	Spacer
314	650873	2	Screw, 1/4-20 x 3/4"
315	611113	1	Alternator Coil (3 Amp DC) (Incl.321, 322,323)
321	611161	1	Diode
322	610921	1	Connector Body
323	610922	1	Terminal
324	33177	1	Terminal
325A	27275	1	Wire Clip
325	29443	1	Wire Clip
370A	36261	1	Lubrication Decal
370K	36695	1	Starter Decal
370	550223	1	Logo Decal
380	632253	1	Carburetor (Incl. 184)

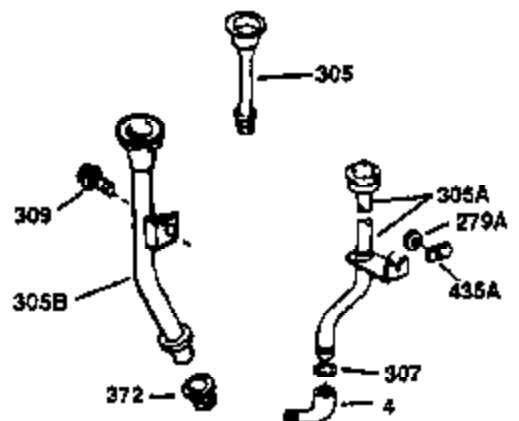
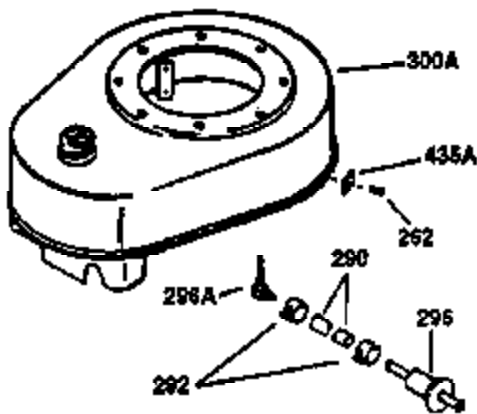
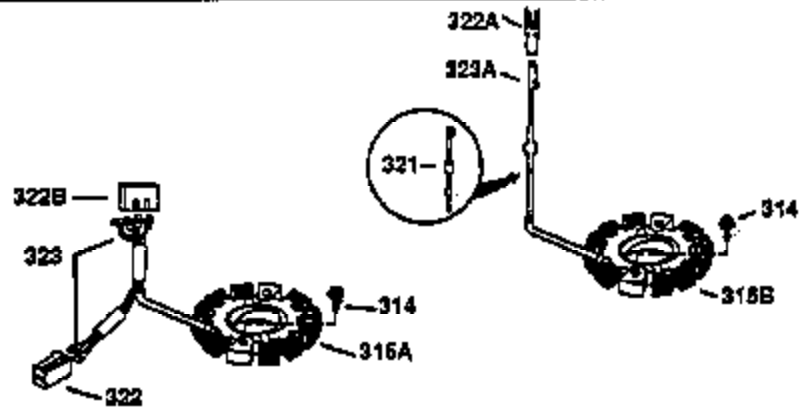
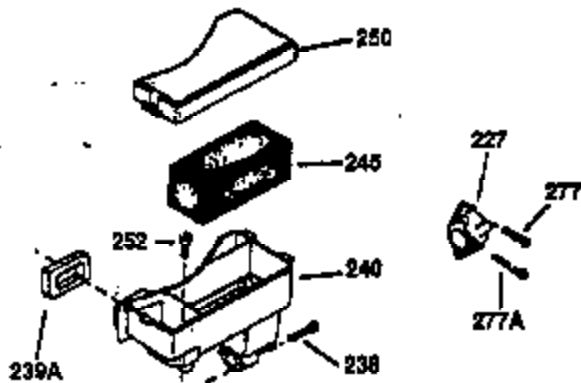
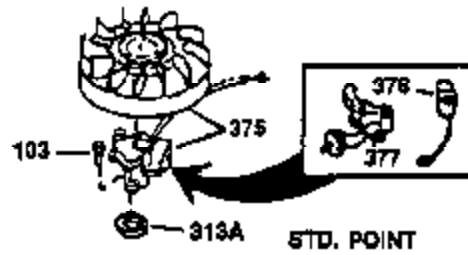
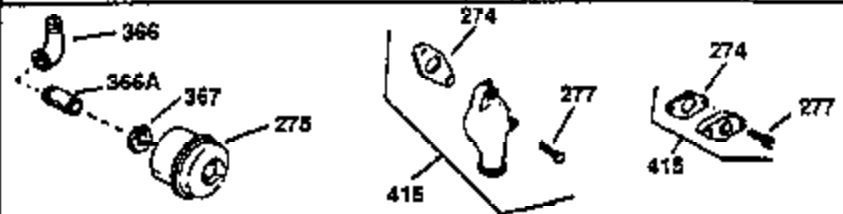
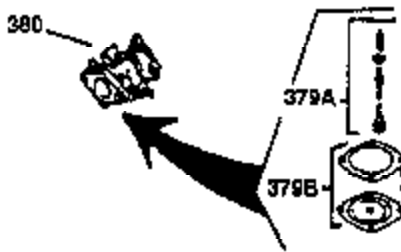
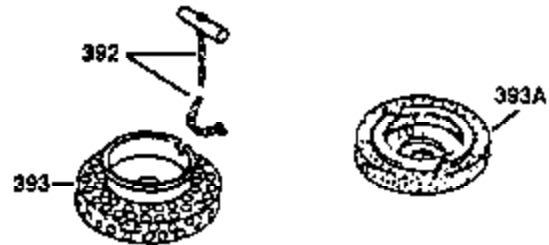
Ref #	Part Number	Qty	Description
390	590732	1	Rewind Starter (Note: This engine could have been built with 590738 starter. Refer to the design of the rope pulley strength ribs for part identification. Individual starter parts do not interchange.)
400	36447	1	* Gasket Set (Incl. items marked PK in notes) Incl. part #'s 26756 (1), 27272A (1), 27896A (2), 27915A (1), 29673 (1), 30684 (1), 31688A (1), 33629 (1), 34912 (1), 35865 (1), 36445 (1)
420	730225	1	SAE 30 4-Cycle Engine Oil (Quart)

ILLUSTRATION SHOWS TYPICAL PARTS ONLY. ORDER BY PART NUMBER. PARTS NOT LISTED ARE SUPPLIED BY OEM.

VIEW 2 OF 2



OPTIONAL 110 - 120 VOLT
STARTER MOTOR KIT



Ref #	Part Number	Qty	Description
66	30063	1	Screw, Torx T-30, 1/4-20 x 1/2"
103	651007	2	Screw, Torx T-15, 10-24 x 15/16"
238	28820	2	Screw, 10-32 x 1/2"
240	31691	1	Air Cleaner Body
245	30727	1	Air Cleaner Filter
250	31715	1	Air Cleaner Cover
262	29747B	2	Screw, Torx T-40, 5/16-24 x 21/32"
274	35865	1	* Exhaust Gasket
275	31574	1	Muffler
277	650696	2	Screw, 5/16-18 x 2-3/4"
290	29774	1	Fuel Line
292	26460	2	Fuel Line Clamp
313A	35189	1	Spacer
314	650873	2	Screw, 1/4-20 x 3/4"
321	611161	1	Diode
322	610921	1	Connector Body
323	610922	1	Terminal
370K	36695	1	Starter Decal
370A	36261	1	Lubrication Decal
380	632253	1	Carburetor (Incl. 184)