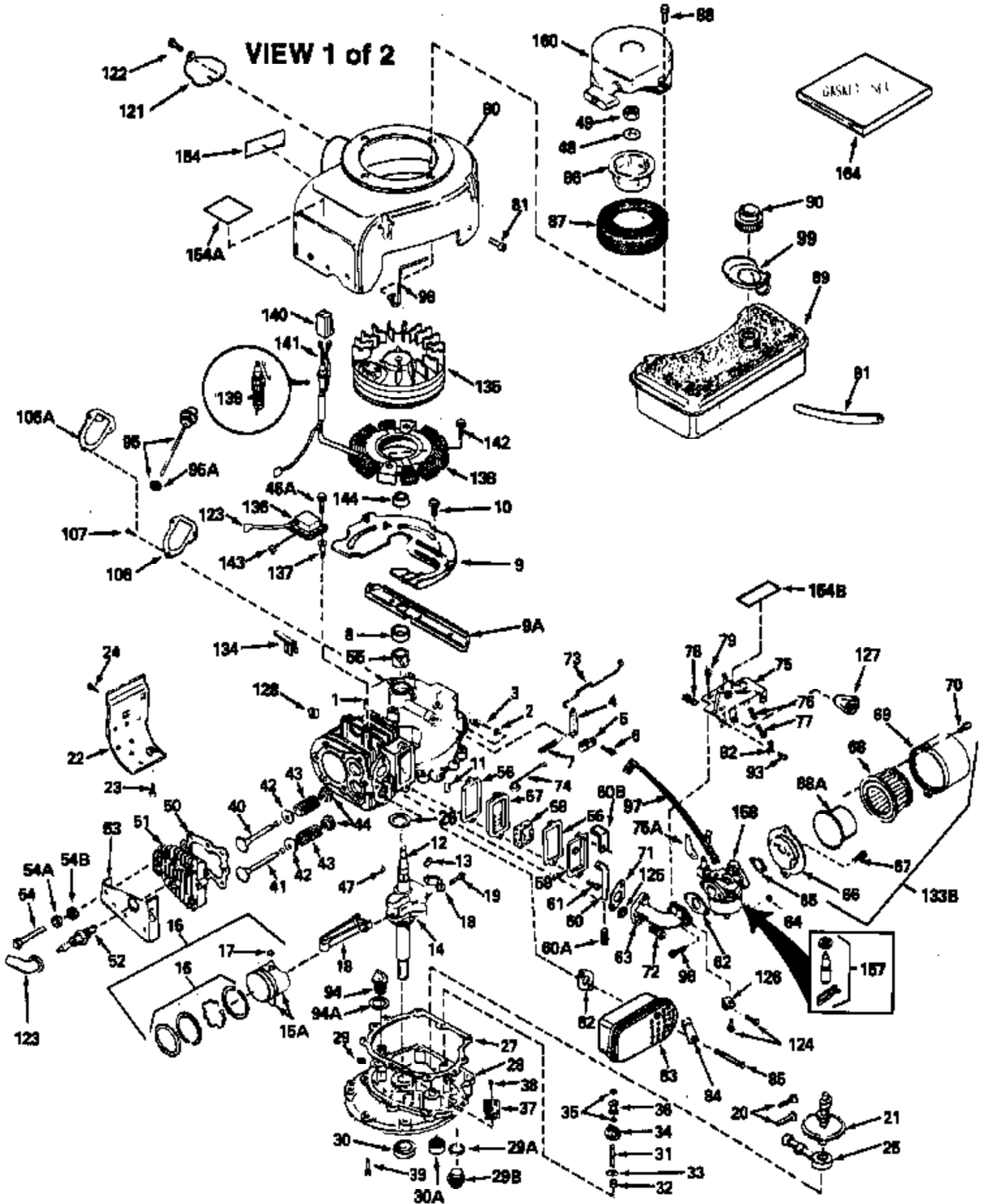


ILLUSTRATION SHOWS TYPICAL PARTS ONLY. ORDER BY PART NUMBER. PARTS NOT LISTED ARE SUPPLIED BY OEM.

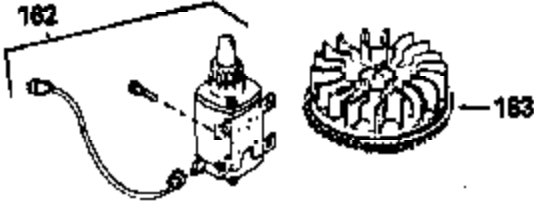


Engine Parts List #1

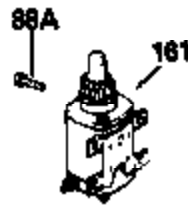
Ref #	Part Number	Qty	Description
1	34913A		Cylinder (Incl. 8, 11, 94 & 94A) (2-5/8")
2	28277		Washer, Flat
3	35082		Rod, Governor
4	32651		Lever, Governor
5	31335		Clamp, Governor lever
6	650548		Screw, 8-32 x 5/16"
7	34043		Spring, Extension
8	32630		Seal, Oil
9	29536		Baffle, Blower housing (Use as required)
9	35256A		Blo.Hsg.Baffle (W/E.S.knock-out)(As required)
10	650561		Screw, 1/4-20 x 5/8"
11	27652		Pin, Dowel
12	35110		Crankshaft (Incl. 13 & 14)
13	29783		Pin, Crankshaft gear
14	27884		Gear, Crankshaft
15	34531		Piston, Pin & Ring Set (2-5/8") (Std.)
15	34532		Piston, Pin & Ring Set (.010" OS)
15	34533		Piston, Pin & Ring Set (.020" OS)
15A	33312B		Piston & Pin Ass'y. (Incl.17)(2-5/8") (Std.)
15A	33313B		Piston & Pin Ass'y. (Incl. 17) (.010" OS)
15A	33314B		Piston & Pin Ass'y. (Incl. 17) (.020" OS)
16	34854		Ring Set (2-5/8") (Std.)
16	34855		Ring Set (.010" OS)
16	34856		Ring Set (.020" OS)
17	27888		Ring, Piston pin retaining
18	31380C		Rod Assy., Connecting (Incl. 19)
19	650662C		Bolt, Connecting rod (Incl. 2 pieces)
20	34034		Lifter, Valve
21	32114		Camshaft (MCR)
22	30622A		Extension, Blower housing
23	650128		Screw, 10-24 x 1/2"
24	30688		Screw, 1/4-20 x 1/2"
25	31356		Pump Assy., Oil
27	30684		* Gasket, Cylinder cover
28	35111		Flange Ass'y. (Incl. 29, 30, 31, 33, 37 & 38)
29A	28833		Gasket, Drain
29	27642		Plug, Pipe (sq.hd, 1/4-28)
29	28483		Plug, Drain, 3/8-18 hex countersunk
29B	27244		Plug, Oil drain
30	27897		Seal, Oil
31	30668		Shaft, Mech. Governor
32	31707A		Governor Spacer Assy. (Incl. 33)
33	30590A		Washer, Flat (2 required)
34	30591		Gear Assy., Governor
35	29193		Ring, Retaining
36	30588A		Spool, Governor
37	31355		Screen, Oil filter (Use as required)
37	33581		Screen, Oil filter
38	29117		Screw, 8-32 x 5/16" (Use as required)
39	650833		Screw, 1/4-20 x 1-3/16"
40	32783		Intake Valve (Std.) (Incl. 44)
40	32784		Intake Valve (1/32" OS) (Incl. 44)
41	27878A		Exhaust Valve (Std.) (Incl. 44)
41	27880A		Exhaust Valve (1/32" OS) (Incl. 44)
42	27882		Cap, Upper valve spring
43	27881		Spring, Valve
44	32581		Cap, Lower valve spring
47	32589		Key, Flywheel

Ref #	Part Number	Qty	Description
	48 650815		Washer, Belleville
	49 8116		Nut, Washer, 1/2-20
	50 28938B		* Gasket, Head
	51 30938A		Head, Cylinder (Incl. 54)
	52 33636		Resistor Spark Plug (RJ-8)
	52 34251		Resistor Spark Plug (RJ-17LM)
	53 30939A		Cover Assy., Cylinder head
	54A 26073		Washer, Flat (Use as required)
	54A 650690		Washer, Belleville (Use as required)
	54B 650691		Washer, Flat (Use as required)
	54 650694A		Screw, 5/16-18 x 2" (Use as required)
	54 650697A		Screw, 5/16-18 x 2-1/2" (Use as required)
	56 27896		* Gasket, Breather cover
	57 28423		Body, Breather
	58 28424		Element, Breather
	59 28425		Cover, Valve spring box
	60 27627		Tube, Breather
	61 650128		Screw, 10-24 x 1/2"
	62 33263		* Gasket, Carburetor
	63 34108		Pipe, Intake
	65 33629		* Gasket, Air cleaner
	71 27915		* Gasket, Intake to cylinder
	72 650378		Screw, 5/16-18 x 1-1/8"
	73 33860		Link, Throttle
	74 32653		Link, Governor spring
	75 35126		Control Assy., Speed
	75A 33086		Lever, Speed adjusting
	78 610973		Terminal Ass'y. (Use as required)
	79 30200		Screw, 10-24 x 9/16"
	80 34110A		Blower Housing (For electroc starter)
	81 29747B		Screw, 5/16-24 x 21/32"
	85 30196		Screw, 5/16-18 x 3/4" (Use as required)
	85 650696		Screw, 5/16-18 x 2-3/4" (Use as required)
	85 650697A		Screw, 5/16-18 x 2-1/2" (Use as required)
	90 33032		Fuel Cap (Use as required)
	90 34210		Fuel Cap (Use as required)
	91 29774		Fuel Line (8-1/4") (Use as required)
	91 30962		Fuel Line (32") (Use as required)
	92 27793		Clip, Conduit
	93 28942		Screw, 10-32 x 3/8"
	95A 29673		* Gasket, Oil fill
	95 35112		Dipstick, Oil
	96 6201		Screw, 1/4-28 x 7/8" (Use as required)
	96 650372		Screw, 1/4-20 x 13/16" (Use as required)
	97 35349		Ground Wire
	115 33323		Screen, Muffler (Use as required)
	123 27276		Cover, Spark plug (Use as required)
	123 610118		Cover, Spark plug (Use as required)
	124 650738		Screw, 1/4-20 x 5/8
	125 34107		Screen, Intake pipe
	126 33261		Bracket, Intake pipe
	133B 730127		A/C Assy. (Incl. 65, 66, 67, 68A, 69, 70, 13 4)
	154 34346		Decal, Instruction
	157 631021		Inlet Needle, Seat & Clip Assy.
	158 632352		Carburetor (Incl. 62) (Refer to Division 5, Section A, page 188 for breakdown)
	164 33234A		* Gasket Set (Incl. items marked *)

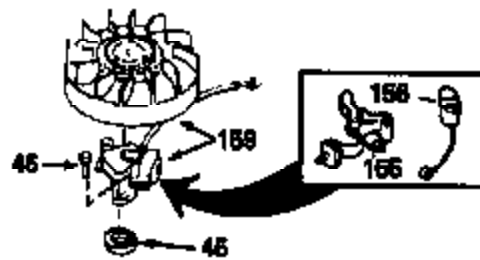
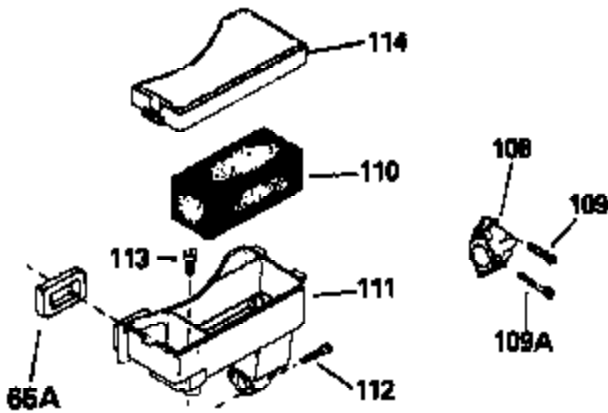
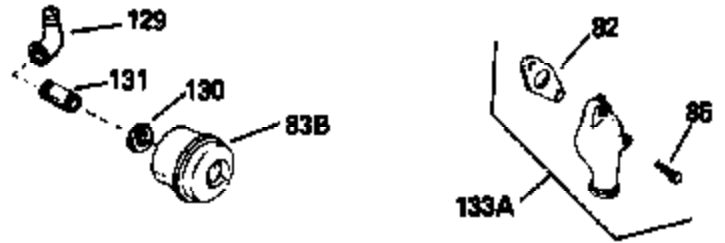
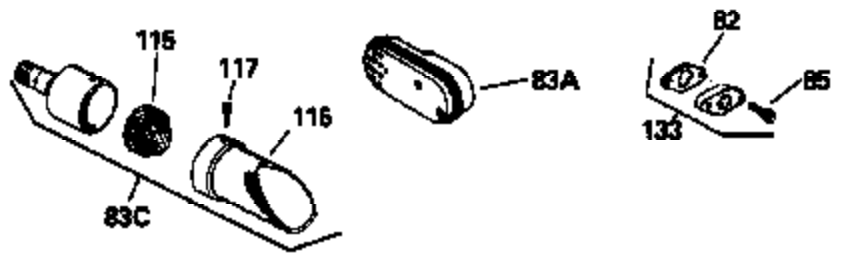
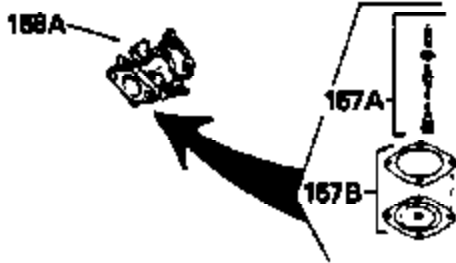
ILLUSTRATION SHOWS TYPICAL PARTS ONLY. ORDER BY PART NUMBER. PARTS NOT LISTED ARE SUPPLIED BY OEM.



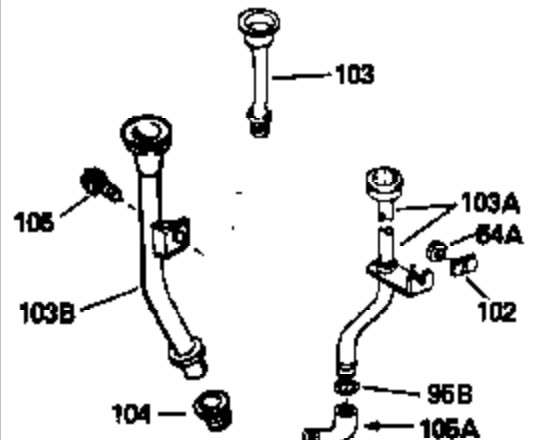
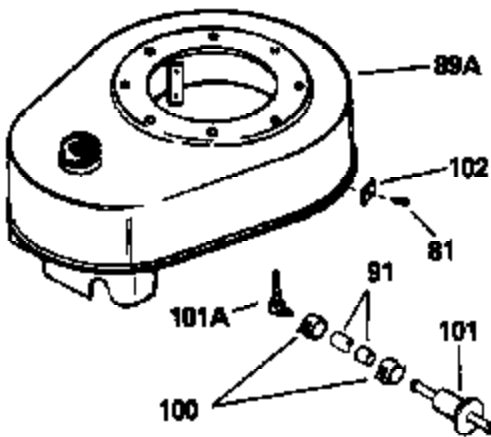
OPTIONAL 110 - 120 VOLT
STARTER MOTOR KIT



VIEW 2 of 2



STD. POINT



Ref #	Part Number	Qty	Description
45	33876		Gasket, Stator
46	650489		Screw, 1/4-20 x 5/8"
54A	26073		Washer, Flat (Use as required)
54A	650690		Washer, Belleville (Use as required)
65A	34912		* Gasket, Blower housing
81	29747B		Screw, 5/16-24 x 21/32"
83C	391026		Muffler (Incl. 115, 116 & 117) (This spark arrestor muffler can be used on any model)
85	30196		Screw, 5/16-18 x 3/4" (Use as required)
85	650696		Screw, 5/16-18 x 2-3/4" (Use as required)
85	650697A		Screw, 5/16-18 x 2-1/2" (Use as required)
86A	33819		Hub & Screen Assy., Starter
88A	30688		Screw, 1/4-20 x 1/2"
91	29774		Fuel Line (8-1/4") (Use as required)
91	30962		Fuel Line (32") (Use as required)
100	26460		Clamp, Fuel line (Use as required)
110	34910		Element, Air cleaner
111	34909		Body, Air cleaner
112	650834		Screw, 10-32 x 1-17/32"
113	650784		Screw, 10-24 x 11/16"
114	34911		Cover, Air cleaner
115	33323		Screen, Muffler (Use as required)
116	33700		Cover & tube, Muffler (Use as required)
117	650578		Screw, 8-18 x 3/8" (Use as required)
118	28545		Grommet, Plastic
119	650643		Screw, 8-18 x 3/8"
120	33356		Terminal, Ground
133A	31288		Muffler Adapter Kit (Incl. 82 & 85)(As req.)
133	730130		Muffler Adap. Kit (Incl. 82 & 85)(As req.)
155	30547A		Contact Assy., Breaker
156	30548B		Condenser
159	611043		Magneto (w/ring gear) NOTE: The complete magneto is not available as an assembly. The magneto number is shown for reference purposes only. Order component parts individually as shown in parts list. (Refer to Division 5, Section B, page 39 for breakdown)
161	33606		Starter Motor (12 volt) (Refer to Division 5, Section D, page 20 for breakdown)
162	33329D		Starter Motor Kit (110-120 volt) (Refer to service number stamped on end cap of motor, or on decal, for identification. For breakdown see Division 5, Section D, Page 16.)
163	611042		Flywheel (Ring gear flywheel required on engines using 110-120 volt starter motor kits listed above) (Use on Std. point ignitions)
163	611085		Flywheel (Ring gear flywheel required on engines using 110-120 volt starter motor kits listed above) (Use on solid state ignitions)