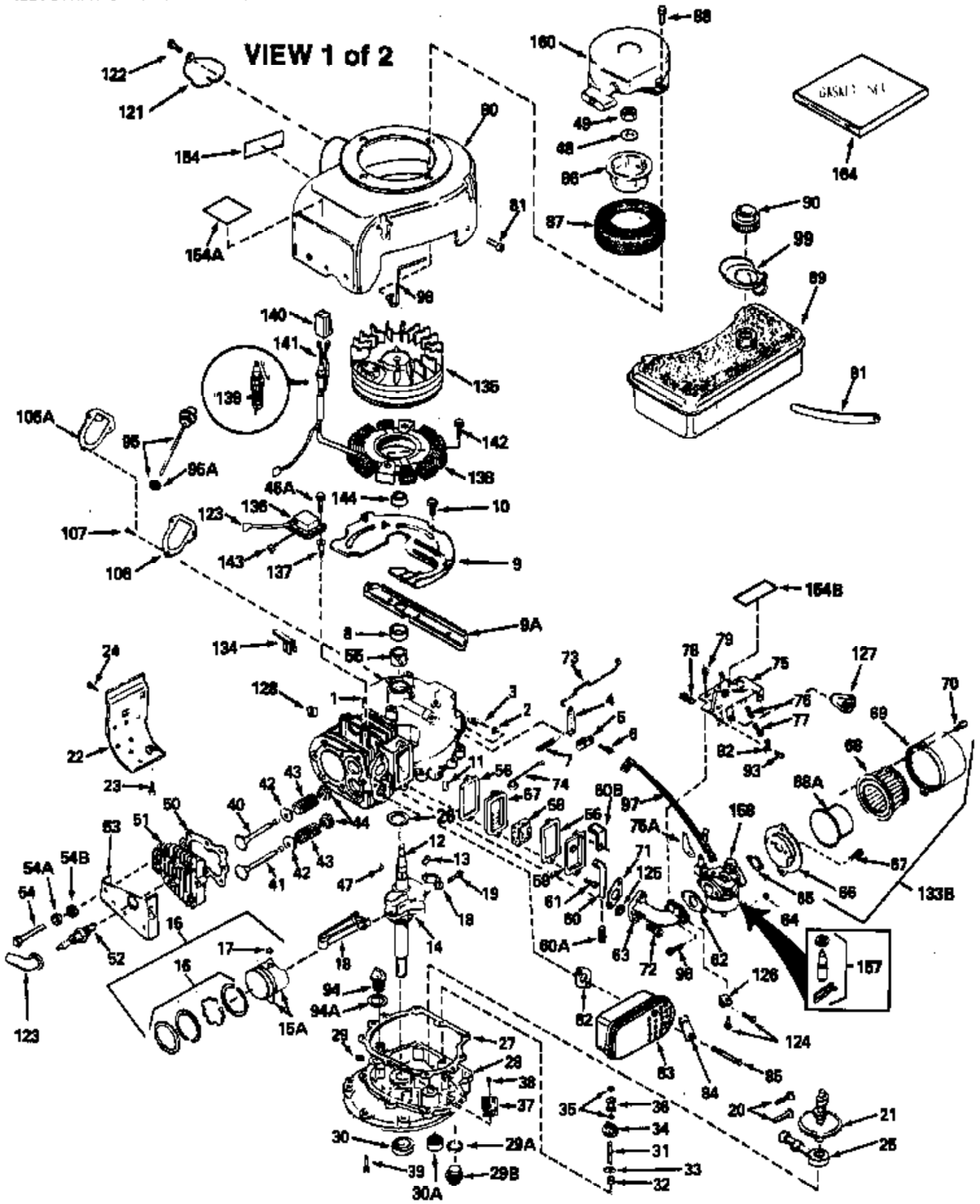


ILLUSTRATION SHOWS TYPICAL PARTS ONLY. ORDER BY PART NUMBER. PARTS NOT LISTED ARE SUPPLIED BY OEM.



Engine Parts List #1

| Ref # | Part Number | Qty | Description |
|-------|-------------|-----|--|
| 1 | 34913A | | Cylinder (Incl. 8, 11, 94 & 94A) (2-5/8") |
| 2 | 28277 | | Washer, Flat |
| 3 | 30669 | | Rod, Governor |
| 4 | 31357 | | Lever, Governor |
| 5 | 31335 | | Clamp, Governor lever |
| 6 | 650548 | | Screw, 8-32 x 5/16" |
| 7 | 31361 | | Spring, Governor |
| 8 | 32630 | | Seal, Oil |
| 9A | 34105 | | Bracket, Blower housing |
| 10 | 650561 | | Screw, 1/4-20 x 5/8" |
| 11 | 27652 | | Pin, Dowel |
| 12 | 34881 | | Crankshaft (Incl. 13 & 14) |
| 13 | 29783 | | Pin, Crankshaft gear |
| 14 | 27884 | | Gear, Crankshaft |
| 15A | 33312B | | Piston & Pin Ass'y. (Incl.17)(2-5/8") (Std.) |
| 15A | 33313B | | Piston & Pin Ass'y. (Incl. 17) (.010" OS) |
| 15A | 33314B | | Piston & Pin Ass'y. (Incl. 17) (.020" OS) |
| 15 | 34531 | | Piston, Pin & Ring Set (2-5/8") (Std.) |
| 15 | 34532 | | Piston, Pin & Ring Set (.010" OS) |
| 15 | 34533 | | Piston, Pin & Ring Set (.020" OS) |
| 16 | 34854 | | Ring Set (2-5/8") (Std.) |
| 16 | 34855 | | Ring Set (.010" OS) |
| 16 | 34856 | | Ring Set (.020" OS) |
| 17 | 27888 | | Ring, Piston pin retaining |
| 18 | 31380C | | Rod Assy., Connecting (Incl. 19) |
| 19 | 650662C | | Bolt, Connecting rod (Incl. 2 pieces) |
| 20 | 34034 | | Lifter, Valve |
| 21 | 32114 | | Camshaft (MCR) |
| 22 | 30622A | | Extension, Blower housing |
| 23 | 650128 | | Screw, 10-24 x 1/2" |
| 24 | 30688 | | Screw, 1/4-20 x 1/2" |
| 25 | 31356 | | Pump Assy., Oil |
| 27 | 30684 | | * Gasket, Cylinder cover |
| 28 | 31471C | | Flange Ass'y. (Incl. 29,30,31,33,182 & 183) |
| 29 | 27642 | | Plug, Pipe (sq.hd, 1/4-28) |
| 30 | 27897 | | Seal, Oil |
| 31 | 30668 | | Shaft, Mech. Governor |
| 32 | 31707A | | Governor Spacer Assy. (Incl. 33) |
| 33 | 30590A | | Washer, Flat (2 required) |
| 34 | 30591 | | Gear Assy., Governor |
| 35 | 29193 | | Ring, Retaining |
| 36 | 30588A | | Spool, Governor |
| 37 | 31355 | | Screen, Oil filter (Use as required) |
| 38 | 29117 | | Screw, 8-32 x 5/16" (Use as required) |
| 39 | 650488 | | Screw, 1/4-20 x 1-1/4" |
| 40 | 32783 | | Intake Valve (Std.) (Incl. 44) |
| 40 | 32784 | | Intake Valve (1/32" OS) (Incl. 44) |
| 41 | 27878A | | Exhaust Valve (Std.) (Incl. 44) |
| 41 | 27880A | | Exhaust Valve (1/32" OS) (Incl. 44) |
| 42 | 27882 | | Cap, Upper valve spring |
| 43 | 27881 | | Spring, Valve |
| 44 | 32581 | | Cap, Lower valve spring |
| 47 | 32589 | | Key, Flywheel |
| 48 | 650815 | | Washer, Belleville |
| 49 | 8116 | | Nut, Washer, 1/2-20 |
| 50 | 28938B | | * Gasket, Head |
| 51 | 30938A | | Head, Cylinder (Incl. 54) |
| 52 | 33636 | | Resistor Spark Plug (RJ-8) |

Engine Parts List #1

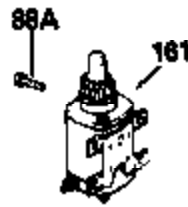
| Ref # | Part Number | Qty | Description |
|-------|-------------|-----|--|
| 52 | 34251 | | Resistor Spark Plug (RJ-17LM) |
| 53 | 30939A | | Cover Assy., Cylinder head |
| 54B | 650691 | | Washer, Flat (Use as required) |
| 54A | 26073 | | Washer, Flat (Use as required) |
| 54A | 650690 | | Washer, Belleville (Use as required) |
| 54 | 650694A | | Screw, 5/16-18 x 2" (Use as required) |
| 54 | 650697A | | Screw, 5/16-18 x 2-1/2" (Use as requi red) |
| 56 | 27896 | | * Gasket, Breather cover |
| 57 | 28423 | | Body, Breather |
| 58 | 28424 | | Element, Breather |
| 59 | 28425 | | Cover, Valve spring box |
| 60 | 27627 | | Tube, Breather |
| 60A | 34568 | | Spring, Coil |
| 61 | 650128 | | Screw, 10-24 x 1/2" |
| 62 | 26756 | | * Gasket, Carburetor |
| 63 | 32632 | | Pipe, Intake |
| 65 | 27272 | | * Gasket, Air cleaner |
| 66 | 31691 | | Bracket, Air cleaner |
| 67 | 28820 | | Screw, 10-32 x 1/2" |
| 68A | 31700 | | Element, Air cleaner |
| 69 | 31715 | | Body, Air cleaner |
| 70 | 650152 | | Screw, 8-32 x 3/8" |
| 71 | 27915 | | * Gasket, Intake to cylinder |
| 72 | 650378 | | Screw, 5/16-18 x 1-1/8" |
| 73 | 31823 | | Link, Throttle |
| 74 | 32582 | | Link, Governor spring |
| 75 | 32264A | | Control Assy., Speed (Incl. 76, 77 & 78) |
| 76 | 31342 | | Spring, Compression |
| 77 | 650549 | | Screw, 5-40 x 7/16" |
| 78 | 610973 | | Terminal Ass'y. (Use as required) |
| 79 | 30200 | | Screw, 10-24 x 9/16" |
| 80 | 31615A | | Blower Housing (Incl. 121 & 122) (Ele c. Str.) |
| 81 | 29747B | | Screw, 5/16-24 x 21/32" |
| 82 | 27930 | | * Gasket, Exhaust |
| 83 | 28921 | | Muffler |
| 84 | 31588 | | Plate, Muffler locking |
| 85 | 30196 | | Screw, 5/16-18 x 3/4" (Use as require d) |
| 85 | 650696 | | Screw, 5/16-18 x 2-3/4" (Use as requi red) |
| 85 | 650697A | | Screw, 5/16-18 x 2-1/2" (Use as requi red) |
| 90 | 33032 | | Fuel Cap (Use as required) |
| 90 | 34210 | | Fuel Cap (Use as required) |
| 91 | 29774 | | Fuel Line (8-1/4") (Use as required) |
| 91 | 30962 | | Fuel Line (32") (Use as required) |
| 95A | 29673 | | * Gasket, Oil fill |
| 95 | 34165 | | Dipstick (Incl. 95A) |
| 96 | 6201 | | Screw, 1/4-28 x 7/8" (Use as required) |
| 96 | 650372 | | Screw, 1/4-20 x 13/16" (Use as requir ed) |
| 97 | 34235 | | Ground Wire |
| 115 | 33323 | | Screen, Muffler (Use as required) |
| 121 | 33013 | | Cover, Starter bubble |
| 122 | 650760 | | Screw, 8-32 x 7/16" |
| 123 | 27276 | | Cover, Spark plug (Use as required) |
| 123 | 610118 | | Cover, Spark plug (Use as required) |
| 127 | 32410 | | Knob, Speed control |
| 128 | 27275 | | Clip, Hi tension wire |
| 133B | 730127 | | A/C Assy. (Incl.65,66,67,68A,69,70,13 4) |
| 154 | 34346 | | Decal, Instruction |
| 154A | 550223 | | Decal, Name |

| Ref # | Part Number | Qty | Description |
|-------|-------------|-----|--|
| 157 | 631021 | | Inlet Needle, Seat & Clip Assy. |
| 158 | 632258 | | Carburetor (Incl. 62) (Refer to Division 5, Section A, page 184 for breakdown) |
| 164 | 33234A | | * Gasket Set (Incl. items marked *) |

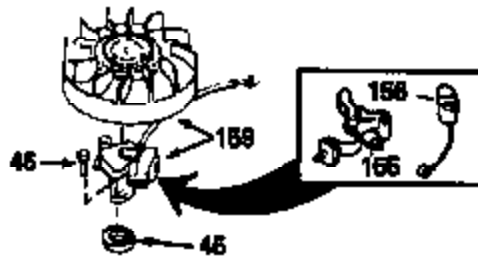
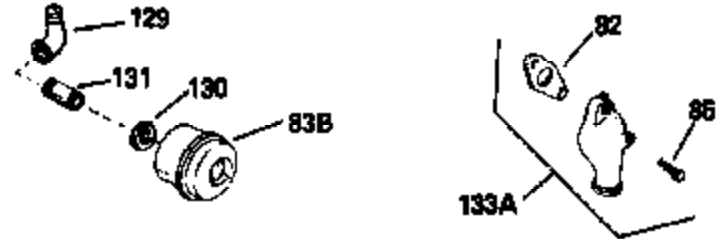
ILLUSTRATION SHOWS TYPICAL PARTS ONLY. ORDER BY PART NUMBER. PARTS NOT LISTED ARE SUPPLIED BY OEM.



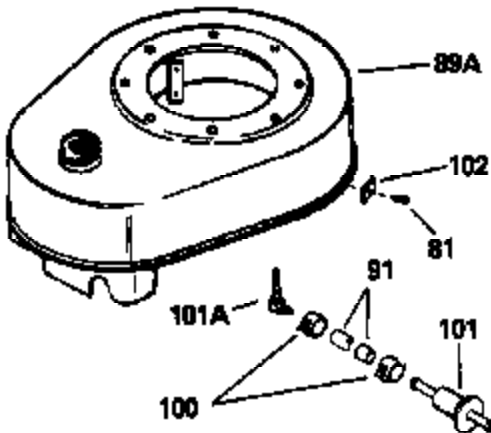
OPTIONAL 110 - 120 VOLT
STARTER MOTOR KIT



VIEW 2 of 2



STD. POINT



| Ref # | Part Number | Qty | Description |
|-------|-------------|-----|---|
| | 45 33876 | | Gasket, Stator |
| | 46 650489 | | Screw, 1/4-20 x 5/8" |
| | 54A 26073 | | Washer, Flat (Use as required) |
| | 54A 650690 | | Washer, Belleville (Use as required) |
| | 81 29747B | | Screw, 5/16-24 x 21/32" |
| | 82 27930 | | * Gasket, Exhaust |
| | 83C 391026 | | Muffler (Incl. 115, 116 & 117) (This spark arrestor muffler can be used on any model) |
| | 85 30196 | | Screw, 5/16-18 x 3/4" (Use as required) |
| | 85 650696 | | Screw, 5/16-18 x 2-3/4" (Use as required) |
| | 85 650697A | | Screw, 5/16-18 x 2-1/2" (Use as required) |
| | 86A 29709 | | Hub & Screen Assy., Starter |
| | 91 29774 | | Fuel Line (8-1/4") (Use as required) |
| | 91 30962 | | Fuel Line (32") (Use as required) |
| | 100 26460 | | Clamp, Fuel line (Use as required) |
| | 115 33323 | | Screen, Muffler (Use as required) |
| | 116 33700 | | Cover & tube, Muffler (Use as required) |
| | 117 650578 | | Screw, 8-18 x 3/8" (Use as required) |
| | 133A 31288 | | Muffler Adapter Kit (Incl. 82 & 85) (As req.) |
| | 133 730130 | | Muffler Adap. Kit (Incl. 82 & 85) (As req.) |
| | 159 611043 | | Magneto (w/ring gear) NOTE: The complete magneto is not available as an assembly. The magneto number is shown for reference purposes only. Order component parts individually as shown in parts list. (Refer to Division 5, Section B, page 39 for breakdown) |
| | 162 33329D | | Starter Motor Kit (110-120 volt) (Refer to service number stamped on end cap of motor, or on decal, for identification. For breakdown see Division 5, Section D, Page 16.) |
| | 163 611042 | | Flywheel (Ring gear flywheel required on engines using 110-120 volt starter motor kits listed above) (Use on Std. point ignitions) |
| | 163 611085 | | Flywheel (Ring gear flywheel required on engines using 110-120 volt starter motor kits listed above) (Use on solid state ignitions) |