



| Ref # | Part Number | Qty | Description                               |
|-------|-------------|-----|---|
| 1     | 35805       | 1   | Cylinder (Incl. 2 & 20)                   |
| 2     | 26727       | 2   | Dowel Pin                                 |
| 6     | 33734       | 1   | Breather Element                          |
| 7     | 34214A      | 1   | Breather Ass'y. (Incl.6,8,9,12,12B)       |
| 8     | 33735       | 1   | * Breather Gasket                         |
| 9     | 30200       | 2   | Screw, 10-24 x 9/16"                      |
| 12    | 33886       | 1   | Breather Tube                             |
| 12B   | 34695       | 1   | Breather Tube Elbow                       |
| 14    | 28277       | 1   | Washer                                    |
| 15    | 30589       | 1   | Governor Rod (Incl. 14)                   |
| 16    | 32651       | 1   | Governor Lever                            |
| 17    | 31335       | 1   | Governor Lever Clamp                      |
| 18    | 650548      | 1   | Screw, 8-32 x 5/16"                       |
| 19    | 33578       | 1   | Extension Spring                          |
| 20    | 32600       | 1   | Oil Seal                                  |
| 30    | 35816       | 1   | Crankshaft                                |
| 40    | 35544A      | 1   | Piston, Pin & Ring Set (Std.)             |
| 40    | 35545A      | 1   | Piston, Pin & Ring Set (.010" OS)         |
| 40    | 35546       | 1   | Piston, Pin & Ring Set (.020" OS)         |
| 41    | 35541       | 1   | Piston & Pin Ass'y. (Std.) (Incl. 43)     |
| 41    | 35542       | 1   | Piston & Pin Ass'y. (.010" OS) (Incl. 43) |
| 41    | 35543       | 1   | Piston & Pin Ass'y. (.020" OS) (Incl. 43) |
| 42    | 35547A      | 1   | Ring Set (Std.)                           |
| 42    | 35548A      | 1   | Ring Set (.010" OS)                       |
| 42    | 35549       | 1   | Ring Set (.020" OS)                       |
| 43    | 20381       | 2   | Piston Pin Retaining Ring                 |
| 45    | 32875       | 1   | Connecting Rod Ass'y. (Incl. 46)          |
| 46    | 32610A      | 2   | Connecting Rod Bolt                       |
| 48    | 35616       | 2   | Valve Lifter                              |
| 50    | 33553       | 1   | Camshaft (MCR)                            |
| 52    | 29914       | 1   | Oil Pump Ass'y.                           |
| 69    | 35261       | 1   | * Mounting Flange Gasket                  |
| 70    | 34311C      | 1   | Mounting Flange (Incl. 72, 75 & 80)       |
| 72    | 30572       | 1   | Oil Drain Plug                            |
| 73    | 28833       | 1   | Drain Plug Gasket                         |
| 75    | 27897       | 1   | Oil Seal                                  |
| 80    | 30574       | 1   | Governor Shaft                            |
| 81    | 30590A      | 1   | Washer                                    |
| 82    | 30591       | 1   | Governor Gear Ass'y. (Incl. 81)           |
| 83    | 30588A      | 1   | Governor Spool                            |
| 84    | 29193       | 2   | Retaining Ring                            |
| 86    | 650488      | 6   | Screw, 1/4-20 x 1-1/4"                    |
| 89    | 611004      | 1   | Flywheel Key                              |
| 90    | 611112      | 1   | Flywheel                                  |
| 92    | 650815      | 1   | Belleville Washer                         |
| 93    | 650816      | 1   | Flywheel Nut                              |
| 100   | 34443A      | 1   | Solid State Ignition                      |
| 101   | 610118      | 1   | Spark Plug Cover                          |
| 103   | 650814      | 2   | Screw, Torx T-15, 10-24 x 1"              |
| 110   | 34961       | 1   | Ground Wire                               |
| 119   | 35806       | 1   | * Cylinder Head Gasket                    |
| 120   | 35630       | 1   | Cylinder Head                             |
| 125   | 35621       | 1   | Exhaust Valve (Std.) (Incl. 151)          |
| 125   | 35622       | 1   | Exhaust Valve (1/32" OS) (Incl. 151)      |
| 126   | 35619       | 1   | Intake Valve (Std.) (Incl. 151)           |
| 126   | 35620       | 1   | Intake Valve (1/32" OS) (Incl. 151)       |
| 127   | 650691      | 5   | Washer                                    |
| 128   | 650690      | 5   | Belleville Washer                         |

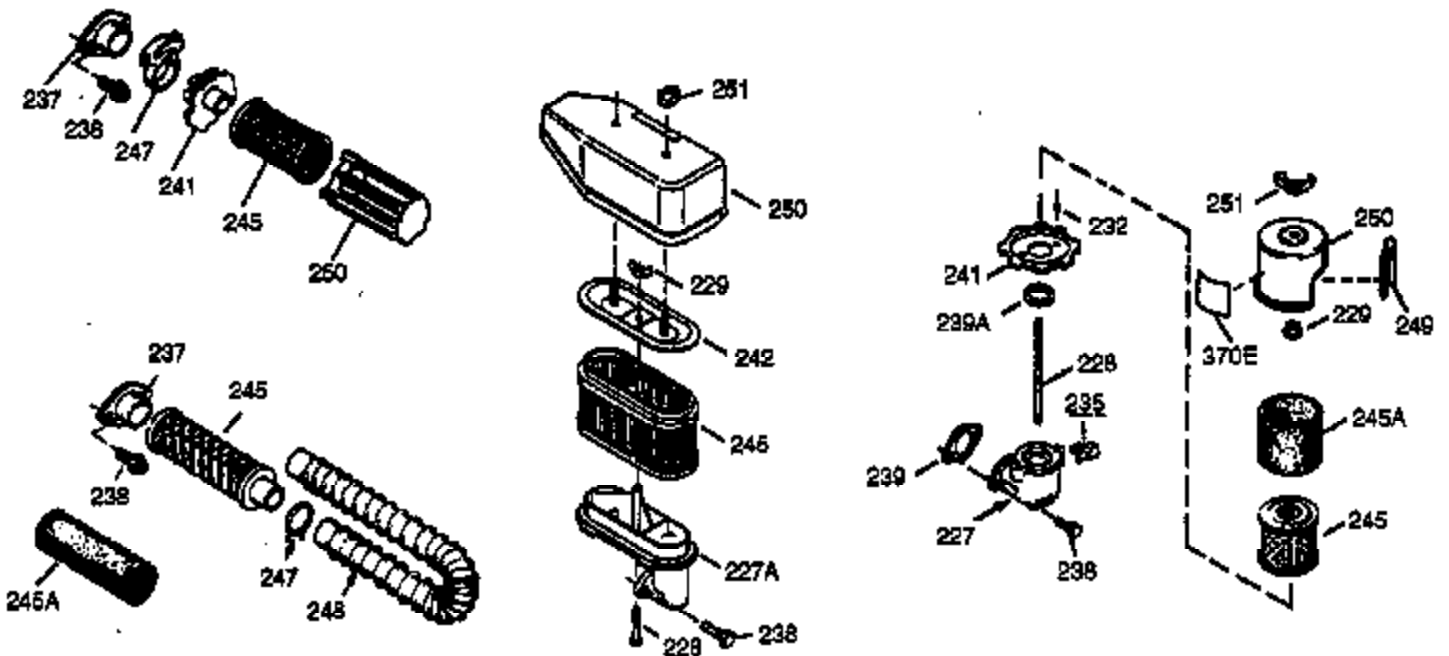
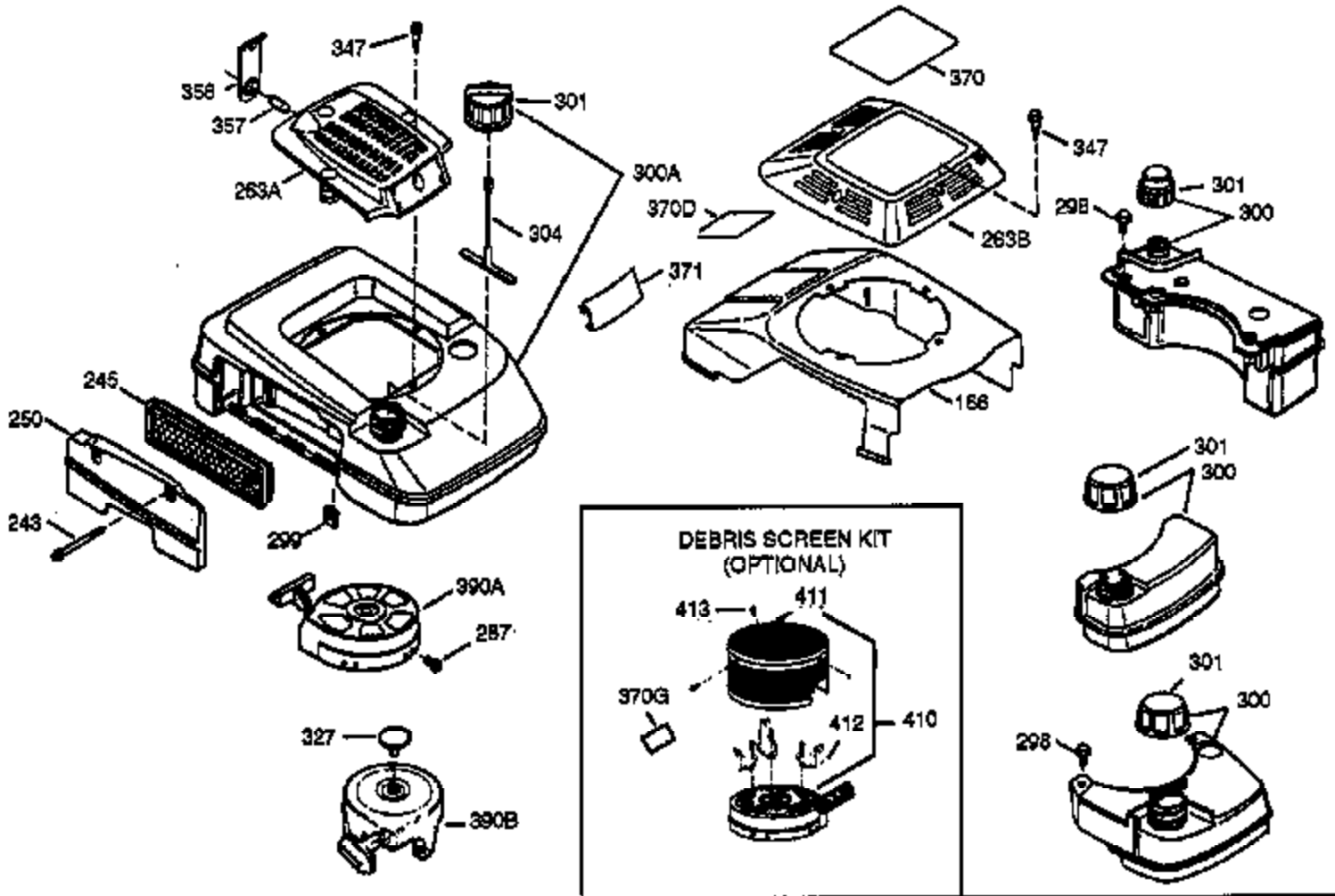
## Engine Parts List #1

| Ref # | Part Number | Qty | Description                          |
|-------|-------------|-----|--------------------------------------|
| 130   | 650912      | 5   | Screw, 5/16-18 x 1-1/2"              |
| 135   | 34645       | 1   | Resistor Spark Plug (RN4C)           |
| 150   | 31672       | 2   | Valve Spring                         |
| 151   | 31673       | 2   | Valve Spring Cap                     |
| 153   | 35623       | 1   | Push Rod Guide                       |
| 154   | 650913      | 1   | Rocker Arm Stud                      |
| 155   | 35624       | 1   | Rocker Arm                           |
| 157   | 650914      | 1   | Lock Nut                             |
| 158   | 35625       | 2   | Push Rod                             |
| 159   | 35626       | 1   | * Rocker Arm Cover Gasket            |
| 160   | 35718       | 1   | Rocker Arm Housing                   |
| 161   | 30063       | 4   | Screw, Torx T-30, 1/4-20 x 1/2"      |
| 178   | 29752       | 2   | Nut & Lock Washer, 1/4-28            |
| 182   | 6201        | 2   | Screw, 1/4-28 x 7/8"                 |
| 184   | 26756       | 1   | * Carburetor To Intake Pipe Gasket   |
| 185   | 35635       | 1   | Intake Pipe (Incl. 224)              |
| 186   | 34337       | 1   | Governor Link                        |
| 189   | 650839      | 2   | Screw, 1/4-20 x 3/8"                 |
| 190   | 35831       | 1   | Brake Lever                          |
| 191   | 35039B      | 1   | S.E. Brake Bracket (Incl. 195)       |
| 192   | 34966       | 1   | Brake Control Link                   |
| 193   | 34965       | 1   | Brake Spring                         |
| 194   | 32309       | 1   | Retaining Ring                       |
| 195   | 610973      | 1   | Terminal                             |
| 200   | 33131A      | 1   | Control Bracket (Incl. 202 thru 205) |
| 202   | 33802       | 1   | Compression Spring                   |
| 203   | 31342       | 1   | Compression Spring                   |
| 204   | 650549      | 1   | Screw, 5-40 x 7/16"                  |
| 205   | 650777      | 1   | Screw, 6-32 x 21/32"                 |
| 207   | 35364       | 1   | Throttle Link                        |
| 209   | 30200       | 2   | Screw, 10-24 x 9/16"                 |
| 210   | 27793       | 1   | Conduit Clip                         |
| 211   | 28942       | 1   | Screw, 10-32 x 3/8"                  |
| 223   | 650451      | 1   | Screw, 1/4-20 x 1"                   |
| 224   | 35629A      | 1   | * Intake Pipe Gasket                 |
| 238   | 650937      | 2   | Screw, 10-32 x 43/64"                |
| 239   | 35848       | 1   | Air Cleaner Gasket                   |
| 245   | 35850A      | 1   | Air Cleaner Filter                   |
| 250   | 35823       | 1   | Air Cleaner Cover                    |
| 260   | 35817       | 1   | Blower Housing                       |
| 262   | 650831      | 3   | Screw, 1/4-20 x 1/2"                 |
| 276   | 35852       | 1   | Locking Plate                        |
| 277   | 650729      | 2   | Screw, 5/16-18 x 3-3/16"             |
| 285   | 35000       | 1   | Starter Cup                          |
| 287   | 650926      | 2   | Screw, 8-32 x 21/64"                 |
| 290   | 29774       | 1   | Fuel Line                            |
| 292   | 26460       | 2   | Fuel Line Clamp                      |
| 301   | 35355       | 1   | Fuel Cap                             |
| 305   | 35819A      | 1   | Oil Fill Tube                        |
| 306   | 34265       | 1   | * "O" Ring                           |
| 307   | 35499       | 1   | "O"-Ring                             |
| 309   | 650936      | 1   | Screw, 10-32 x 13/32"                |
| 310   | 35822       | 1   | Oil Dipstick                         |
| 313   | 34080       | 1   | Spacer                               |
| 347   | 650898      | 4   | Screw, 10-32 x 27/32"                |
| 370A  | 35840       | 1   | 5.0 H.P. Decal                       |
| 380   | 632577      | 1   | Carburetor (Incl. 184)               |

| Ref # | Part Number | Qty | Description   |
|-------|-------------|-----|---|
| 390   | 590637      | 1   | Rewind Starter (NOTE: This engine could have been built with 590702 starter. Refer to the design of the air intake louvers for part identification. Individual starter parts do not interchange.) |
| 400   | 35633A      | 1   | *Gasket Set (Incl. items marked PK i n notes.) Incl. part #'s 26756 (1), 28833 (1), 33735 (1), 34265 (1), 35261 (1), 35617 (1), 35626 (1), 35629A (1), 35806 (1), 35815 (1), 35848 (1), 35865 (1) |
| 420   | 730225      | 1   | SAE 30 4-Cycle Engine Oil (Quart)   |

ILLUSTRATION SHOWS TYPICAL PARTS ONLY. ORDER BY PART NUMBER. PARTS NOT LISTED ARE SUPPLIED BY OEM.

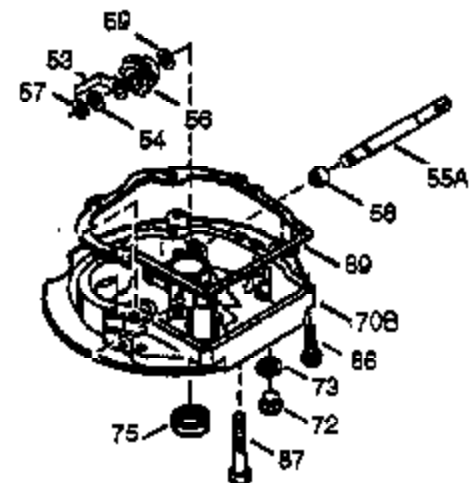
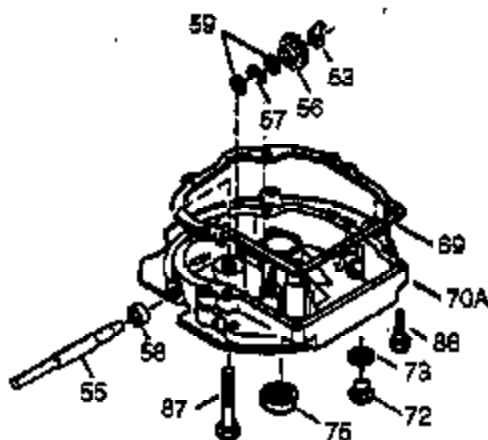
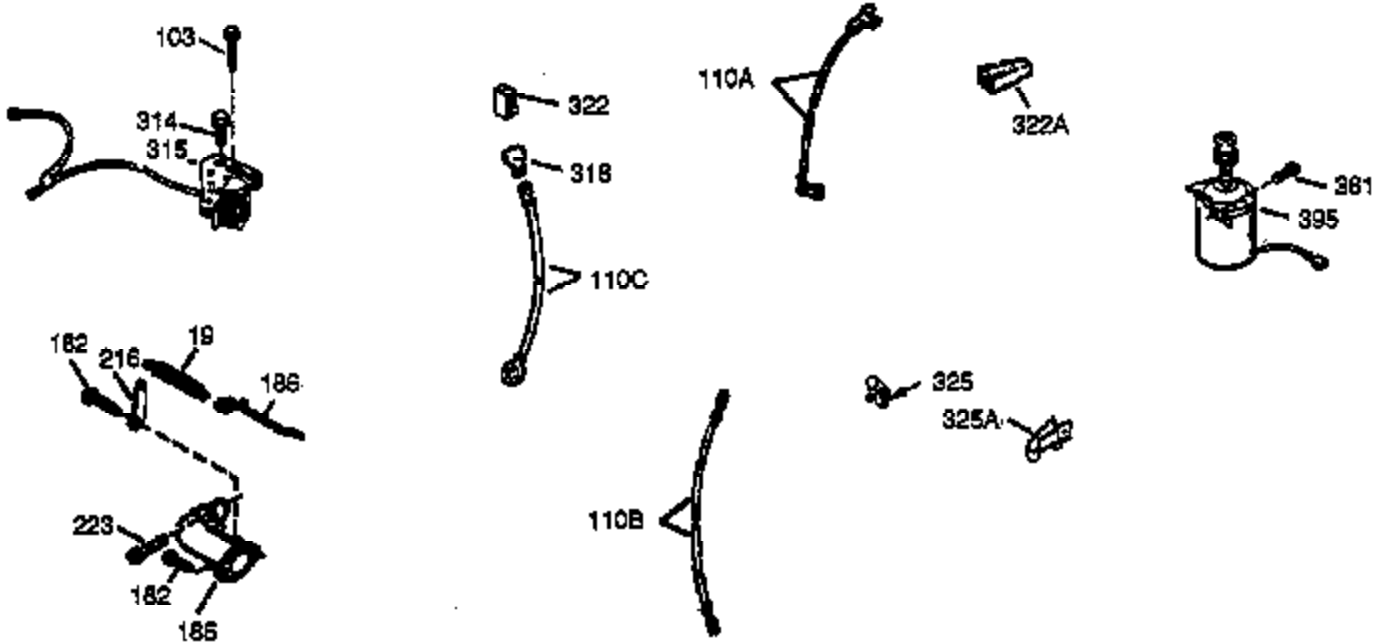
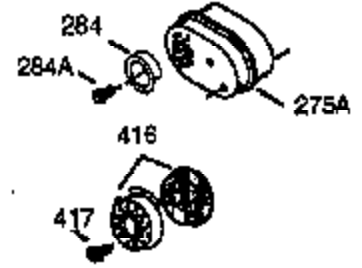
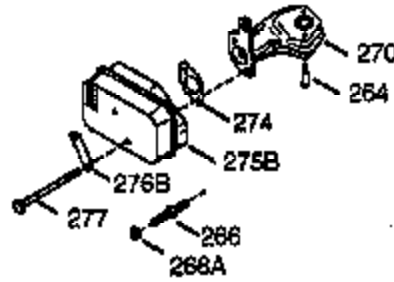
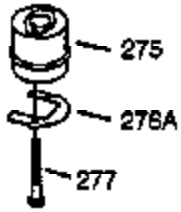
VIEW 2 OF 3



| Ref # | Part Number | Qty | Description                 |
|-------|-------------|-----|-----------------------------|
| 166   | 35820       | 1   | Engine Shroud               |
| 227   | 35849       | 1   | Air Cleaner Elbow           |
| 228   | 650962      | 1   | Stud                        |
| 229   | 650962      | 1   | Nut                         |
| 238   | 650937      | 2   | Screw, 10-32 x 43/64"       |
| 239   | 35848       | 1   | Air Cleaner Gasket          |
| 242   | 35818       | 1   | Air Cleaner Bracket         |
| 245   | 35850A      | 1   | Air Cleaner Filter          |
| 250   | 35823       | 1   | Air Cleaner Cover           |
| 251   | 650933      | 2   | Wing Nut                    |
| 263A  | 35821       | 1   | Starter Grill               |
| 287   | 650926      | 2   | Screw, 8-32 x 21/64"        |
| 300   | 35586       | 1   | Fuel Tank (Incl. 292 & 301) |
| 301   | 35355       | 1   | Fuel Cap                    |
| 347   | 650898      | 4   | Screw, 10-32 x 27/32"       |
| 357   | 36412       | 1   | Starter Rope Retainer       |
| 370   | 35847       | 1   | Lubrication Decal           |

ILLUSTRATION SHOWS TYPICAL PARTS ONLY. ORDER BY PART NUMBER. PARTS NOT LISTED ARE SUPPLIED BY OEM.

**VIEW 3 OF 3**



| Ref # | Part Number | Qty | Description                        |
|-------|-------------|-----|------------------------------------|
|       | 19 33578    | 1   | Extension Spring                   |
|       | 69 35261    | 1   | * Mounting Flange Gasket           |
|       | 72 30572    | 1   | Oil Drain Plug                     |
|       | 73 28833    | 1   | Drain Plug Gasket                  |
|       | 75 27897    | 1   | Oil Seal                           |
|       | 86 650488   | 6   | Screw, 1/4-20 x 1-1/4"             |
|       | 103 650814  | 2   | Screw, Torx T-15, 10-24 x 1"       |
|       | 182 6201    | 2   | Screw, 1/4-28 x 7/8"               |
|       | 185 35635   | 1   | Intake Pipe (Incl. 224)            |
|       | 186 34337   | 1   | Governor Link                      |
|       | 223 650451  | 1   | Screw, 1/4-20 x 1"                 |
|       | 264 650918  | 2   | Screw, Torx T-30, 1/4-20 x 1-7/32" |
|       | 266A 29752  | 1   | Nut, 1/4-28                        |
|       | 266 650917  | 1   | Stud                               |
|       | 270 35720   | 1   | Exhaust Manifold                   |
|       | 274 35865   | 1   | Exhaust Gasket                     |
|       | 275 35851   | 1   | Muffler                            |
|       | 277 650729  | 2   | Screw, 5/16-18 x 3-3/16"           |