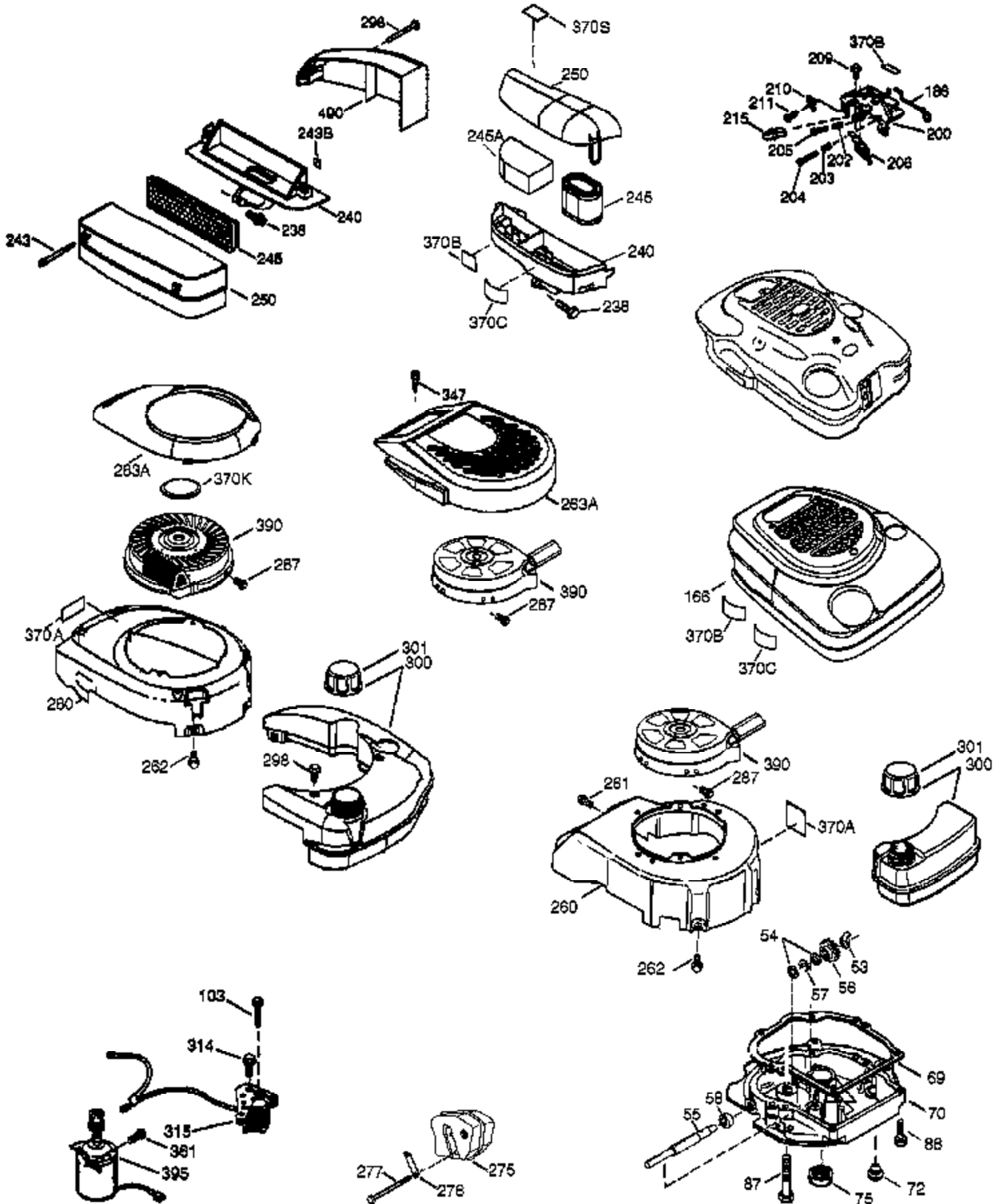


| Ref # | Part Number | Qty | Description                               |
|-------|-------------|-----|---|
|       | 1 36729     | 1   | Cylinder (Incl. 2 & 20)                   |
|       | 2 26727     | 2   | Dowel Pin                                 |
|       | 6 33734     | 1   | Breather Element                          |
|       | 7 36557     | 1   | Breather Ass'y. (Incl. 6 & 12A)           |
|       | 12 36775    | 1   | Breather Tube                             |
|       | 12B 36694   | 1   | Breather Fitting                          |
|       | 12A 36558   | 1   | Breather Cover & Tube                     |
|       | 14 28277    | 1   | Washer                                    |
|       | 15 30589    | 1   | Governor Rod (Incl. 14)                   |
|       | 16 34839A   | 1   | Governor Lever                            |
|       | 17 31335    | 1   | Governor Lever Clamp                      |
|       | 18 651018   | 1   | Screw, Torx T-15, 8-32 x 19/64"           |
|       | 19 36281    | 1   | Extension Spring                          |
|       | 20 32600    | 1   | Oil Seal                                  |
|       | 25 650562   | 1   | Screw, 10-32 x 1/2"                       |
|       | 30 37506    | 1   | Crankshaft                                |
|       | 40 40004    | 1   | Piston, Pin & Ring Set (Std.)             |
|       | 40 40005    | 1   | Piston, Pin & Ring Set (.010" OS)         |
|       | 41 36070    | 1   | Piston & Pin Ass'y. (Std.)                |
|       | 41 36071    | 1   | Piston & Pin Ass'y. (.010" OS) (Incl. 43) |
|       | 42 40006    | 1   | Ring Set (Std.)                           |
|       | 42 40007    | 1   | Ring Set (.010" OS)                       |
|       | 43 20381    | 2   | Piston Pin Retaining Ring                 |
|       | 45 32875A   | 1   | Connecting Rod Ass'y. (Incl. 46)          |
|       | 46 32610A   | 2   | Connecting Rod Bolt                       |
|       | 48 35616    | 2   | Valve Lifter                              |
|       | 50 37488    | 1   | Camshaft (Exhaust MCR) (Incl. 104)        |
|       | 52 29914    | 1   | Oil Pump Ass'y.                           |
|       | 69 37609    | 1   | * Mounting Flange Gasket                  |
|       | 70 37637    | 1   | Mounting Flange (Incl. 72 thru 83)        |
|       | 72 37614    | 1   | Oil Drain Plug                            |
|       | 75 27897    | 1   | Oil Seal                                  |
|       | 80 30574A   | 1   | Governor Shaft                            |
|       | 81 30590A   | 1   | Washer                                    |
|       | 82 30591    | 1   | Governor Gear Ass'y. (Incl. 81)           |
|       | 83 30588A   | 1   | Governor Spool                            |
|       | 89 610961   | 1   | Flywheel Key                              |
|       | 90 611213   | 1   | Flywheel                                  |
|       | 92 650815   | 1   | Belleville Washer                         |
|       | 93 650816   | 1   | Flywheel Nut                              |
|       | 100 34443C  | 1   | Solid State Ignition                      |
|       | 101 610118  | 1   | Spark Plug Cover                          |
|       | 103 651007  | 2   | Screw, T-15, 10-24 x 15/16"               |
|       | 104 37480   | 1   | Cam Bushing                               |
|       | 110 37335   | 1   | Ground Wire                               |
|       | 119 36719   | 1   | * Cylinder Head Gasket                    |
|       | 120 37482   | 1   | Cylinder Head                             |
|       | 125 36471   | 1   | Exhaust Valve (Std.) (Incl. 151)          |
|       | 125 36472   | 1   | Exhaust Valve (1/32" OS) (Incl. 151)      |
|       | 126 37711   | 1   | Intake Valve (Std.) (Incl. 151)           |
|       | 130A 650999 | 1   | Screw, 5/16-18 x 2-41/64"                 |
|       | 130 650912  | 4   | Screw, 5/16-18 x 1-1/2"                   |
|       | 135 37599   | 1   | Resistor Spark Plug (RN4C)                |
|       | 150 31672   | 2   | Valve Spring                              |
|       | 151 31673   | 2   | Valve Spring Cap                          |
|       | 151A 40016A | 1   | Valve Seal                                |
|       | 153 36649   | 1   | Push Rod Guide                            |
|       | 154 650913  | 1   | Rocker Arm Stud                           |

| Ref # | Part Number | Qty | Description   |
|-------|-------------|-----|---|
| 155   | 35624A      | 1   | Rocker Arm  |
| 157   | 650914      | 1   | Lock Nut  |
| 158   | 36629       | 2   | Push Rod  |
| 159   | 35626       | 1   | * Rocker Arm Cover Gasket   |
| 160   | 35718       | 1   | Rocker Arm Cover (Chrome)   |
| 161   | 30063       | 4   | Screw, T-30, 1/4-20 x 1/2"  |
| 166   | 37636       | 1   | Engine Shroud Ass'y   |
| 178   | 29752       | 2   | Nut & Lock Washer, 1/4-28   |
| 182   | 6201        | 2   | Screw, 1/4-28 x 7/8"  |
| 184   | 26756       | 1   | * Carburetor Gasket   |
| 185   | 37531       | 1   | Intake Pipe (Incl. 223 & 224)   |
| 186   | 34337       | 1   | Governor Link   |
| 200   | 33205A      | 1   | Control Bracket (Incl. 202 thru 206)  |
| 207   | 34336       | 1   | Throttle Link   |
| 209   | 30200       | 2   | Screw, 10-24 x 9/16"  |
| 212   | 30773       | 1   | Control Lever Bushing   |
| 215   | 32410       | 1   | Control Knob  |
| 223   | 651043      | 1   | Lockwasher Screw  |
| 224   | 36581       | 2   | * Intake Pipe Gasket  |
| 238   | 650932      | 1   | Screw, 10-32 x 49/65  |
| 239   | 34338       | 1   | * Air Cleaner Gasket  |
| 241   | 36919       | 1   | Air Cleaner Collar (Black)  |
| 243   | 650898A     | 4   | Shroud Mtg. Screw 10-32 x 27/32"  |
| 245   | 36905       | 1   | Air Filter  |
| 250   | 37122       | 1   | Air Cleaner Cover (Black)   |
| 260   | 37635       | 1   | Blower Housing (Black)  |
| 262   | 650831      | 2   | Screw, 1/4-20 x 1/2"  |
| 275   | 36950A      | 1   | Muffler   |
| 276   | 36949       | 1   | Locking Plate   |
| 277   | 651039      | 2   | Screw, 1/4-20 x 2-47/64"  |
| 285   | 35000A      | 1   | Starter Cup   |
| 287   | 650926      | 2   | Screw, 8-32 x 21/64"  |
| 290   | 34357       | 1   | Fuel Line (4.88")   |
| 292   | 26460       | 2   | Fuel Line Clamp   |
| 292   | 26460       |     | Fuel Line Clamp   |
| 300   | 35586       | 1   | Fuel Tank (Black)(Incl. 292 & 301)  |
| 301   | 36246       | 1   | Fuel Cap  |
| 305   | 35498       | 1   | Oil Fill Tube   |
| 306   | 37610       | 1   | * "O" Ring  |
| 307   | 35499       | 1   | "O"-Ring  |
| 309   | 650562      | 1   | Screw, 10-24 x 1/2"   |
| 309A  | 650783      | 1   | Screw, 10-24 x 3/4"   |
| 310   | 35611       | 1   | Dipstick  |
| 311A  | 37611       | 1   | Hold Down Bracket   |
| 313   | 34080       | 1   | Spacer  |
| 355   | 590701      | 1   | Starter Handle (Tec)  |
| 370C  | 37318       | 1   | Primer Decal (3X)   |
| 370D  | 35977       | 1   | Instruction Decal   |
| 370A  | 36261       | 2   | Lubrication Decal   |
| 370B  | 35169       | 1   | Control Decal (ISO)   |
| 380   | 640274      | 1   | Carburetor (Incl. 184)  |
| 390   | 590739      | 1   | Rewind Starter (NOTE: This engine could have been built with 590702 starter). |
| 400   | 37623       | 1   | * Gasket Set (Incl. items marked PK in notes.)                                |
| 420   | 730225A     | 1   | SAE 30 4-Cycle Engine Oil (Quart)   |



| Ref # | Part Number | Qty | Description   |
|-------|-------------|-----|---|
| 25    | 650562      | 1   | Screw, 10-32 x 1/2"   |
| 46    | 32610A      | 2   | Connecting Rod Bolt   |
| 69    | 37609       | 1   | * Mounting Flange Gasket  |
| 70    | 37637       | 1   | Mounting Flange (Incl. 72 thru 83)  |
| 72    | 37614       | 1   | Oil Drain Plug  |
| 75    | 27897       | 1   | Oil Seal  |
| 86    | 650488      | 1   | Screw, 1/4-20 x 1/1/4"  |
| 103   | 651007      | 2   | Screw, T-15, 10-24 x 15/16"   |
| 166   | 37636       | 1   | Engine Shroud Ass'y   |
| 186   | 34337       | 1   | Governor Link   |
| 200   | 33205A      | 1   | Control Bracket (Incl. 202 thru 206)  |
| 202   | 36482       | 1   | Compression Spring  |
| 203   | 31342       | 1   | Compression Spring  |
| 204   | 651029      | 1   | Screw, T-10, 5-40 x 7/16"   |
| 205   | 651019      | 1   | Screw, T-10, 6-32 x 41/64"  |
| 206   | 610973      | 1   | Terminal Ass'y  |
| 209   | 30200       | 2   | Screw, 10-24 x 9/16"  |
| 215   | 32410       | 1   | Control Knob  |
| 238   | 650932      | 1   | Screw, 10-32 x 49/65  |
| 243   | 650898A     | 4   | Shroud Mtg. Screw 10-32 x 27/32"  |
| 245   | 36905       | 1   | Air Filter  |
| 250   | 37122       | 1   | Air Cleaner Cover (Black)   |
| 260   | 37635       | 1   | Blower Housing (Black)  |
| 262   | 650831      | 2   | Screw, 1/4-20 x 1/2"  |
| 275   | 36950A      | 1   | Muffler   |
| 276   | 36949       | 1   | Locking Plate   |
| 277   | 651039      | 2   | Screw, 1/4-20 x 2-47/64"  |
| 287   | 650926      | 2   | Screw, 8-32 x 21/64"  |
| 300   | 35586       | 1   | Fuel Tank (Black)(Incl. 292 & 301)  |
| 301   | 36246       | 1   | Fuel Cap  |
| 355   | 590701      | 1   | Starter Handle (Tec)  |
| 370B  | 35169       | 1   | Control Decal (ISO)   |
| 370C  | 37318       | 1   | Primer Decal (3X)   |
| 370A  | 36261       | 2   | Lubrication Decal   |
| 390   | 590739      | 1   | Rewind Starter (NOTE: This engine could have been built with 590702 starter). |