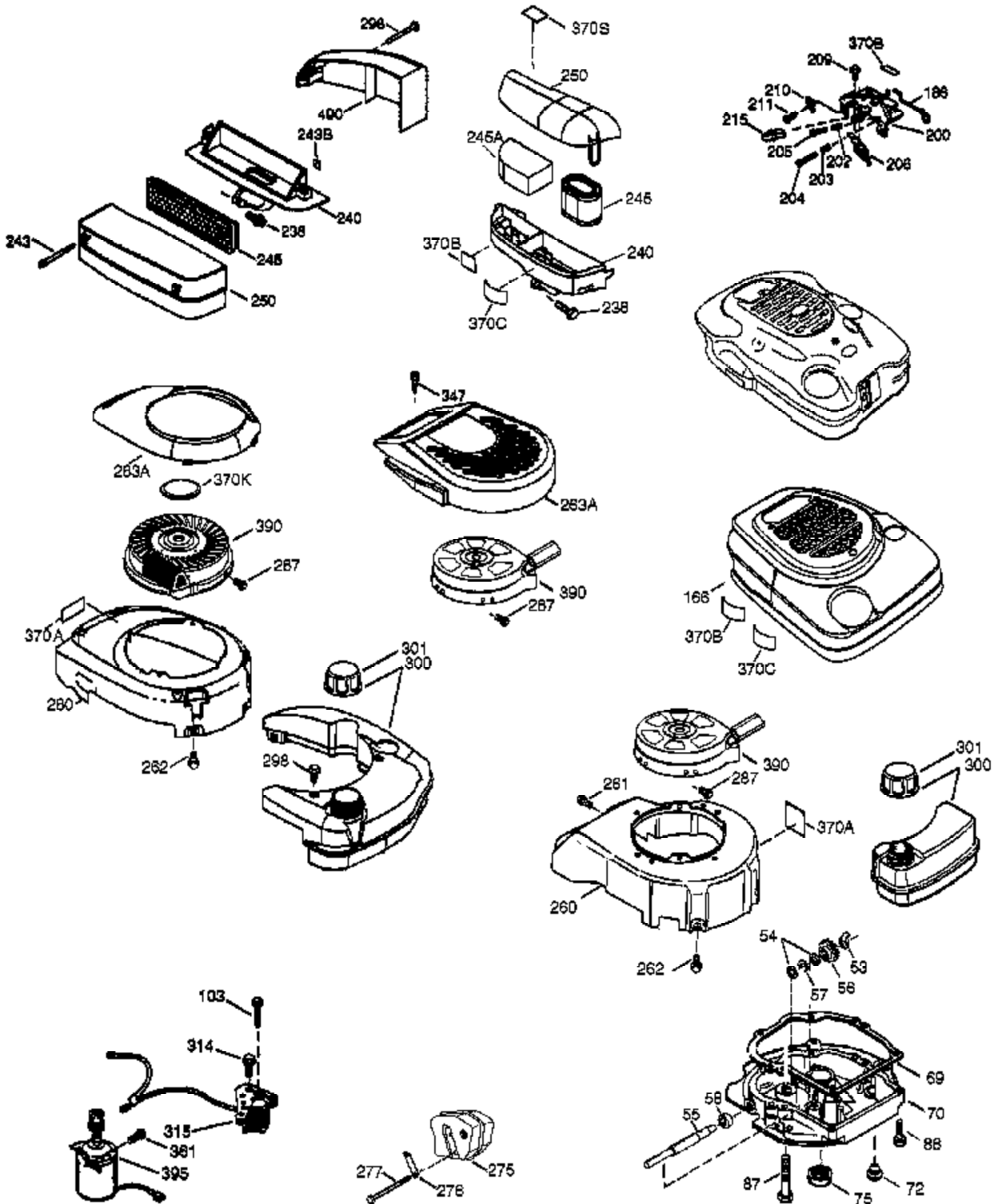


| Ref # | Part Number | Qty | Description |
|-------|-------------|-----|-------------------------------------------|
| | 1 36729 | 1 | Cylinder (Incl. 2 & 20) |
| | 2 26727 | 2 | Dowel Pin |
| | 6 33734 | 1 | Breather Element |
| | 7 36557 | 1 | Breather Ass'y. (Incl. 6 & 12A) |
| | 12 36775 | 1 | Breather Tube |
| | 12A 36558 | 1 | Breather Cover & Tube |
| | 12B 36694 | 1 | Breather Fitting |
| | 14 28277 | 1 | Washer |
| | 15 31513 | 1 | Governor Rod (Incl. 14) |
| | 16 34839A | 1 | Governor Lever |
| | 17 31335 | 1 | Governor Lever Clamp |
| | 18 651018 | 1 | Screw, Torx T-15, 8-32 x 19/64" |
| | 19 36281 | 1 | Extension Spring |
| | 20 32600 | 1 | Oil Seal |
| | 30 37201 | 1 | Crankshaft |
| | 40 40004 | 1 | Piston, Pin & Ring Set (Std.) |
| | 40 40005 | 1 | Piston, Pin & Ring Set (.010" OS) |
| | 41 36070 | 1 | Piston & Pin Ass'y. (Std.) |
| | 41 36071 | 1 | Piston & Pin Ass'y. (.010" OS) (Incl. 43) |
| | 42 40006 | 1 | Ring Set (Std.) |
| | 42 40007 | 1 | Ring Set (.010" OS) |
| | 43 20381 | 2 | Piston Pin Retaining Ring |
| | 45 32875A | 1 | Connecting Rod Ass'y. (Incl. 46) |
| | 46 32610A | 2 | Connecting Rod Bolt |
| | 48 35616 | 2 | Valve Lifter |
| | 50 37481 | 1 | Camshaft (Exhaust MCR) (Incl. 104) |
| | 52 29914 | 1 | Oil Pump Ass'y. |
| | 53 31745 | 1 | Tang Washer |
| | 54 31747 | 1 | Flat Washer |
| | 55A 35218A | 1 | PTO Shaft (Mach) |
| | 56 33401 | 1 | R H Worm Gear |
| | 57 33537 | 1 | Retainer Ring |
| | 58 31744 | 1 | Oil Seal |
| | 69 37797 | 1 | Mounting Flange Gasket |
| | 70 36985A | 1 | Engine Flange (Mach) |
| | 72 36083 | 1 | Oil Drain Plug |
| | 75 26208 | 1 | Oil Seal |
| | 80 30574A | 1 | Governor Shaft |
| | 81 30590A | 1 | Washer |
| | 82 30591 | 1 | Governor Gear Ass'y. (Incl. 81) |
| | 83 30588A | 1 | Governor Spool |
| | 86A 650488 | 1 | Screw, 1/4-20 x 1-1/4" |
| | 89 611004 | 1 | Flywheel Key |
| | 90 611112 | 1 | Flywheel |
| | 92 650815 | 1 | Belleville Washer |
| | 93 650816 | 1 | Flywheel Nut |
| | 100 34443C | 1 | Solid State Ignition |
| | 101 610118 | 1 | Spark Plug Cover |
| | 103 651007 | 2 | Screw, Torx T-15, 10-24 x 15/16" |
| | 104 37480 | 1 | Cam Bushing |
| | 110 37047 | 1 | Ground Wire |
| | 119 36719 | 1 | * Cylinder Head Gasket |
| | 120 37482 | 1 | Cylinder Head |
| | 125 36471 | 1 | Exhaust Valve (Std.) (Incl. 151) |
| | 125 36472 | 1 | Exhaust Valve (1/32" OS) (Incl. 151) |
| | 126 37711 | 1 | Intake Valve (Std.) (Incl. 151) |
| | 130A 650999 | 1 | Screw, 5/16-18 x 2-41/64" |
| | 130 650912 | 4 | Screw, 5/16-18 x 1-1/2" |

| Ref # | Part Number | Qty | Description |
|-------|-------------|-----|--------------------------------------|
| 135 | 34645 | 1 | Resistor Spark Plug (RN4C) |
| 150 | 31672 | 2 | Valve Spring |
| 151A | 40016A | 1 | Valve Seal |
| 151 | 31673 | 2 | Valve Spring Cap |
| 153 | 36649 | 1 | Push Rod Guide |
| 154 | 650913 | 1 | Rocker Arm Stud |
| 155 | 35624A | 1 | Rocker Arm |
| 157 | 650914 | 1 | Lock Nut |
| 158 | 36629 | 2 | Push Rod |
| 159 | 35626 | 1 | * Rocker Arm Cover Gasket |
| 160 | 35718 | 1 | Rocker Arm Cover (Chrome) |
| 161 | 30063 | 4 | Screw, Torx T-30, 1/4-20 x 1/2" |
| 166 | 37486 | 1 | Engine Shroud (Orange) |
| 178 | 29752 | 2 | Nut & Lock Washer, 1/4-28 |
| 184 | 26756 | 1 | * Carburetor Gasket |
| 185 | 37532 | | Intake Pipe (Incl. 223 & 224) |
| 186 | 34358 | 1 | Governor Link |
| 189 | 650839 | 2 | Screw, 1/4-20 x 3/8" |
| 191 | 36559A | 1 | S.E. Brake Ass'y. (Incl. 195) |
| 195 | 610973 | 1 | Terminal |
| 200 | 35727 | 1 | Control Bracket |
| 207 | 34336 | 1 | Throttle Link |
| 209 | 30200 | 2 | Screw, 10-24 x 9/16" |
| 215 | 32410 | 1 | Control Knob (Red-239) |
| 223 | 651043 | 1 | Lockwasher Screw |
| 224 | 36581 | 2 | * Intake Pipe Gasket |
| 238 | 650932 | 2 | Air Cleaner Mtg Screw 10-32 x 49/64" |
| 239 | 34338 | 1 | Air Cleaner Gasket |
| 241 | 36919 | 1 | Air Cleaner Collar (Black) |
| 243 | 650898A | 4 | Shroud Mtg. Screw 10-32 x 27/32" |
| 245 | 36905 | 1 | Air Filter |
| 250 | 37122 | 1 | Air Cleaner Cover (Black) |
| 260 | 37483 | 1 | Blower Housing (Black) |
| 261D | 651073 | 4 | Screw T-20 10-16 x 15/32" |
| 262 | 650831 | 2 | Screw, 1/4-20 x 1/2" |
| 263 | 37485 | 1 | Shroud Mtg Ring |
| 275 | 36950A | 1 | Muffler |
| 276 | 36949 | 1 | Locking Plate |
| 277 | 651039 | 2 | Screw, 1/4-20 x 2-47/64" |
| 278A | 30773 | 1 | Control Lever Bushing |
| 285 | 35000A | 1 | Starter Cup |
| 287 | 650926 | 2 | Screw, 8-32 x 21/64" |
| 290 | 30705 | 1 | Fuel Line |
| 292 | 26460 | 2 | Fuel Line Clamp |
| 300 | 37484 | 1 | Fuel Tank (Natural Incl. 292 & 301) |
| 301 | 36246 | 1 | Fuel Cap |
| 305 | 35647 | 1 | Oil Fill Tube |
| 306 | 36996 | 1 | * "O" Ring |
| 307 | 35499 | 1 | "O"-Ring |
| 309 | 650562 | 1 | Screw, 10-32 x 1/2" |
| 310 | 35648 | 1 | Dipstick |
| 313 | 34080 | 1 | Spacer |
| 355 | 590701 | 1 | Starter Handle (Tec) |
| 370A | 36261 | 1 | Lubrication Decal (Replaces 64-831) |
| 370B | 35167 | 1 | Control Decal (ISO) |
| 370C | 37318 | 1 | Primer Decal (3X) |
| 370T | 37487 | 1 | Gas Level Decal |
| 380 | 640274 | 1 | Carburetor (Incl. 184) |

| Ref # | Part Number | Qty | Description |
|-------|-------------|-----|-------------------------------------------------------------------------------|
| 390 | 590739 | 1 | Rewind Starter (NOTE: This engine could have been built with 590702 starter). |
| 400 | 37825 | 1 | * Gasket Set (Incl. items marked PK in notes) |
| 420 | 730225A | 1 | SAE 30 4-Cycle Engine Oil (Quart) |
| 900 | 0 | 1 | Replacement Engine 806169 |
| 900 | 0 | 1 | Replacement Short Block 750863 |



| Ref # | Part Number | Qty | Description |
|-------|-------------|-----|-------------------------------------------------------------------------------|
| 46 | 32610A | 2 | Connecting Rod Bolt |
| 53 | 31745 | 1 | Tang Washer |
| 54 | 31747 | 1 | Flat Washer |
| 55A | 35218A | 1 | PTO Shaft (Mach) |
| 56 | 33401 | 1 | R H Worm Gear |
| 57 | 33537 | 1 | Retainer Ring |
| 58 | 31744 | 1 | Oil Seal |
| 69 | 37797 | 1 | Mounting Flange Gasket |
| 70 | 36985A | 1 | Engine Flange (Mach) |
| 72 | 36083 | 1 | Oil Drain Plug |
| 75 | 26208 | 1 | Oil Seal |
| 87 | 650492 | 1 | Screw, 1/4-20 x 2-1/4" |
| 103 | 651007 | 2 | Screw, Torx T-15, 10-24 x 15/16" |
| 166 | 37486 | 1 | Engine Shroud (Orange) |
| 186 | 34358 | 1 | Governor Link |
| 200 | 35727 | 1 | Control Bracket |
| 202 | 36482 | 1 | Compression Spring |
| 203 | 31342 | 1 | Compression Spring |
| 204 | 651029 | 1 | Screw, Torx T-10, 5-40 x 7/16" |
| 205 | 651019 | 1 | Screw, Torx T-10, 6-32 x 41/64" |
| 209 | 30200 | 2 | Screw, 10-24 x 9/16" |
| 215 | 32410 | 1 | Control Knob (Red-239) |
| 238 | 650932 | 2 | Air Cleaner Mtg Screw 10-32 x 49/64" |
| 243 | 650898A | 4 | Shroud Mtg. Screw 10-32 x 27/32" |
| 245 | 36905 | 1 | Air Filter |
| 250 | 37122 | 1 | Air Cleaner Cover (Black) |
| 260 | 37483 | 1 | Blower Housing (Black) |
| 261D | 651073 | 4 | Screw T-20 10-16 x 15/32" |
| 262 | 650831 | 2 | Screw, 1/4-20 x 1/2" |
| 275 | 36950A | 1 | Muffler |
| 276 | 36949 | 1 | Locking Plate |
| 277 | 651039 | 2 | Screw, 1/4-20 x 2-47/64" |
| 287 | 650926 | 2 | Screw, 8-32 x 21/64" |
| 300 | 37484 | 1 | Fuel Tank (Natural Incl. 292 & 301) |
| 301 | 36246 | 1 | Fuel Cap |
| 355 | 590701 | 1 | Starter Handle (Tec) |
| 370C | 37318 | 1 | Primer Decal (3X) |
| 370B | 35167 | 1 | Control Decal (ISO) |
| 370A | 36261 | 1 | Lubrication Decal (Replaces 64-831) |
| 390 | 590739 | 1 | Rewind Starter (NOTE: This engine could have been built with 590702 starter). |
| 900 | 0 | 1 | Replacement Engine 806169 |
| 900 | 0 | 1 | Replacement Short Block 750863 |