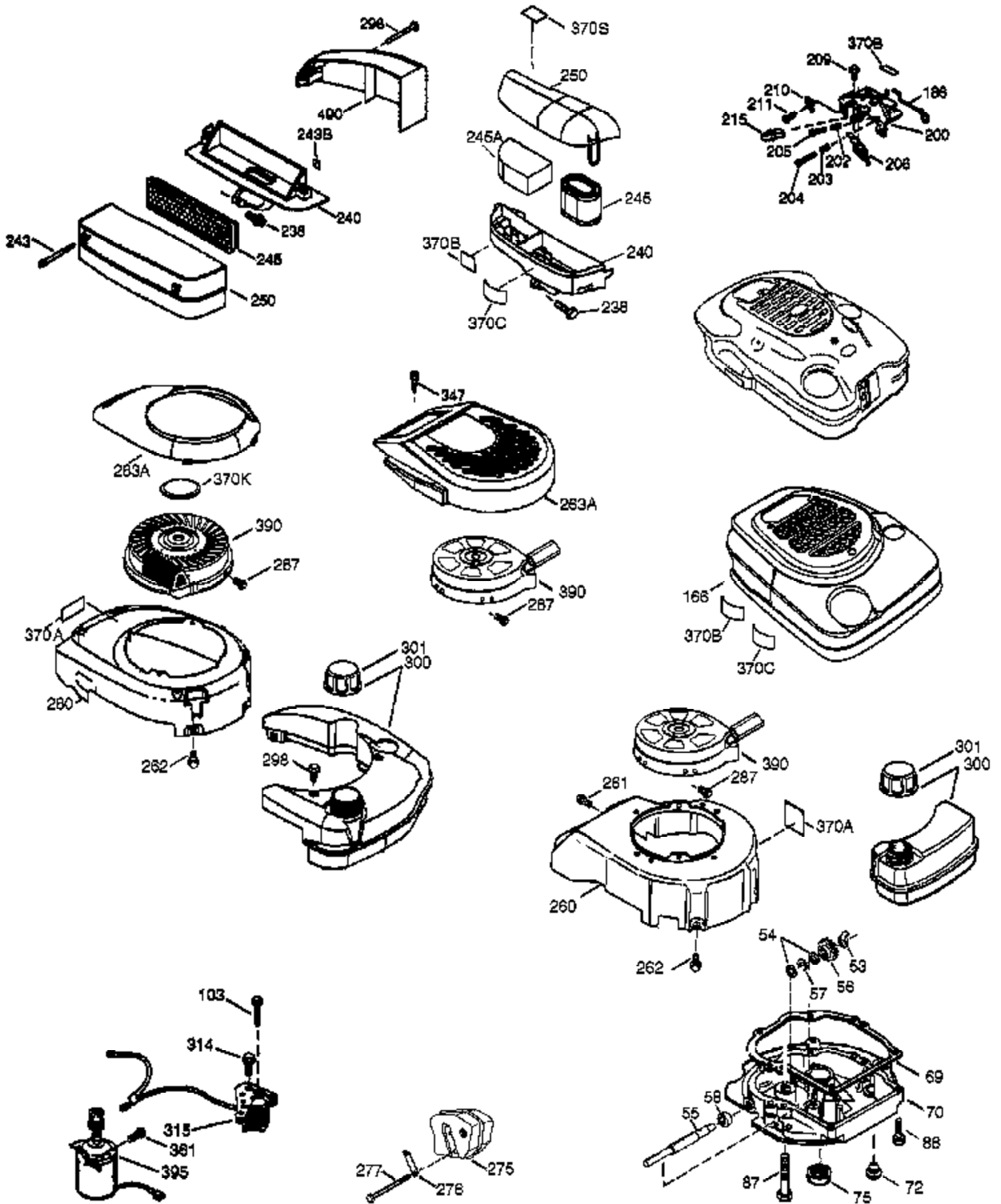




Ref #	Part Number	Qty	Description
	1 36835B	1	Cylinder (Incl. 2 & 20)
	2 26727	2	Dowel Pin
	6 33734	1	Breather Element
	7 36557	1	Breather Ass'y. (Incl. 6 & 12A)
12A	36558	1	Breather Cover & Tube
12	36775	1	Breather Tube
12B	36694	1	Breather Fitting
14	28277	1	Washer
15	30589	1	Governor Rod (Incl. 14)
16	34839A	1	Governor Lever
17	31335	1	Governor Lever Clamp
18	651018	1	Screw, T-15, 8-32 x 19/64"
19	36281	1	Extension Spring
20	32600	1	Oil Seal
30	37506	1	Crankshaft
40	35544A	1	Piston, Pin & Ring Set (Std.)
40	35545A	1	Piston, Pin & Ring Set (.010" OS)
40	35546	1	Piston, Pin & Ring Set (.020" OS)
41	35541	1	Piston & Pin Ass'y. (Std.)
41	35542	1	Piston & Pin Ass'y. (.010" OS) (Incl. 43)
41	35543	1	Piston & Pin Ass'y. (.020" OS) (Incl. 43)
42	35547A	1	Ring Set (Std.)
42	35548A	1	Ring Set (.010" OS)
42	35549	1	Ring Set (.020" OS)
43	20381	2	Piston Pin Retaining Ring
45	32875A	1	Connecting Rod Ass'y. (Incl. 46)
46	32610A	2	Connecting Rod Bolt
48	35616	2	Valve Lifter
50	37473	1	Camshaft (Exhaust MCR)(Inc. Ref 104)
52	29914	1	Oil Pump Ass'y.
69	37609	1	* Mounting Flange Gasket
70	37608	1	Mounting Flange (Incl. 72 thru 83)
72	37614	1	Oil Drain Plug
75	27897	1	Oil Seal
80	30574A	1	Governor Shaft
81	30590A	1	Washer
82	30591	1	Governor Gear Ass'y. (Incl. 81)
83	30588A	1	Governor Spool
89	611004	1	Flywheel Key
90	611112	1	Flywheel
92	650815	1	Belleville Washer
93	650816	1	Flywheel Nut
100	34443C	1	Solid State Ignition
101	610118	1	Spark Plug Cover
103	651007	2	Screw, T-15, 10-24 x 15/16"
104	37480	1	Cam Bushing
110	37047	1	Ground Wire
119	36738	1	* Cylinder Head Gasket
120	37474	1	Cylinder Head
125	36471	1	Exhaust Valve (Std.) (Incl. 151)
125	36472	1	Exhaust Valve (1/32" OS) (Incl. 151)
126	37711	1	Intake Valve (Std.) (Incl. 151)
130	650912	4	Screw, 5/16-18 x 1-1/2"
130A	650999	1	Screw, 5/16-18 x 2-41/64"
135	37599	1	Resistor Spark Plug (RN4C4)
150	31672	2	Valve Spring
151A	40016A	1	Valve Seal
151	31673	2	Valve Spring Cap

Ref #	Part Number	Qty	Description
153	36649	1	Push Rod Guide
154	650913	1	Rocker Arm Stud
155	35624A	1	Rocker Arm
157	650914	1	Lock Nut
158	36629	2	Push Rod
159	35626	1	* Rocker Arm Cover Gasket
160	35718	1	Rocker Arm Cover (Chrome)
161	30063	4	Screw, T-30, 1/4-20 x 1/2"
166	37636	1	Engine Shroud
178	29752	2	Nut & Lock Washer, 1/4-28
182	30088A	2	Screw, 1/4-28 x 1"
184	26756	1	* Carburetor Gasket
185	37653	1	Intake Pipe (Incl. 223 & 224)
186	34337	1	Governor Link
187	36580	1	Spacer
189	650839	2	Screw, 1/4-20 x 3/8"
191	36559A	1	Brake Bracket SE (Inc. 195)
195	610973	1	Terminal
200	35727	1	Control Bracket (Incl. 202 thru 206)
207	34336	1	Throttle Link
209	30200	2	Screw, 10-24 x 9/16"
215	32410	1	Control Knob
223	651044	1	Screw, 1/4-20 x 25/32"
223	651044	1	Screw, 1/4-20 x 2 25/32"
223A	651043	1	Screw, 1/4-20 x 1-31/64"
224	36581	2	* Intake Pipe Gasket
238	650932	2	Screw, 10-32 x 34/64"
239	34338	1	* Air Cleaner Gasket
241	36919	1	Air Cleaner Collar
243	650898A	3	Screw, 10-32 x 27/32"
245	36905	1	Air Cleaner Filter
250	37122	1	Air Cleaner Cover
260	37635	1	Blower Housing
262	650831	2	Screw, 1/4-20 x 1/2"
275	36950A	1	Muffler (Incl. 276 & 277)
276	36949	1	Locking Plate
277	651039	2	Screw, 1/4-20 x 2-47/64"
285	35000A	1	Starter Cup
287	650926	2	Screw, 8-32 x 21/64"
290	34357	1	Fuel Line
292	26460	2	Fuel Line Clamp
292	26460	2	Fuel Line Clamp
300	35586	1	Fuel Tank (Incl. 292 & 301)
301	36246	1	Fuel Cap
305	35498	1	Oil Fill Tube
306	37610	1	* "O"-Ring
307	35499	1	"O"-Ring
309A	650783	1	Screw, 10-24 x 3/4"
309	650562	1	Screw, 10-32 x 1/2"
310	35611	1	Dipstick
311A	37611	1	Hold Down Bracket
313	34080	1	Spacer
370D	35977	1	Instruction Decal (Caution)
370C	37318	1	Primer Decal (3X)
370B	35167	1	Control Decal
370A	36261	2	Lubrication Decal
380	640272	1	Carburetor (Incl. 184)

Ref #	Part Number	Qty	Description
390	590739	1	Rewind Starter (NOTE: This engine could have been built with 590702 starter).
400	37617	1	* Gasket Set (Incl. items marked PK in notes.)
420	730225A	1	SAE 30 4-Cycle Engine Oil (Quart)



Ref #	Part Number	Qty	Description
46	32610A	2	Connecting Rod Bolt
69	37609	1	* Mounting Flange Gasket
70	37608	1	Mounting Flange (Incl. 72 thru 83)
72	37614	1	Oil Drain Plug
75	27897	1	Oil Seal
86	650488	6	Screw, 1/4-20 x 1-1/4"
103	651007	2	Screw, T-15, 10-24 x 15/16"
166	37636	1	Engine Shroud
186	34337	1	Governor Link
200	35727	1	Control Bracket (Incl. 202 thru 206)
202	36482	1	Compression Spring
203	31342	1	Compression Spring
204	651029	1	Screw, T-10, 5-40 x 7/16"
205	651019	1	Screw, T-10, 6-32 x 41/64"
206	610973	1	Terminal
209	30200	2	Screw, 10-24 x 9/16"
215	32410	1	Control Knob
238	650932	2	Screw, 10-32 x 34/64"
243	650898A	3	Screw, 10-32 x 27/32"
245	36905	1	Air Cleaner Filter
250	37122	1	Air Cleaner Cover
260	37635	1	Blower Housing
262	650831	2	Screw, 1/4-20 x 1/2"
275	36950A	1	Muffler (Incl. 276 & 277)
276	36949	1	Locking Plate
277	651039	2	Screw, 1/4-20 x 2-47/64"
287	650926	2	Screw, 8-32 x 21/64"
300	35586	1	Fuel Tank (Incl. 292 & 301)
301	36246	1	Fuel Cap
370A	36261	2	Lubrication Decal
370B	35167	1	Control Decal
370C	37318	1	Primer Decal (3X)
390	590739	1	Rewind Starter (NOTE: This engine could have been built with 590702 starter).