

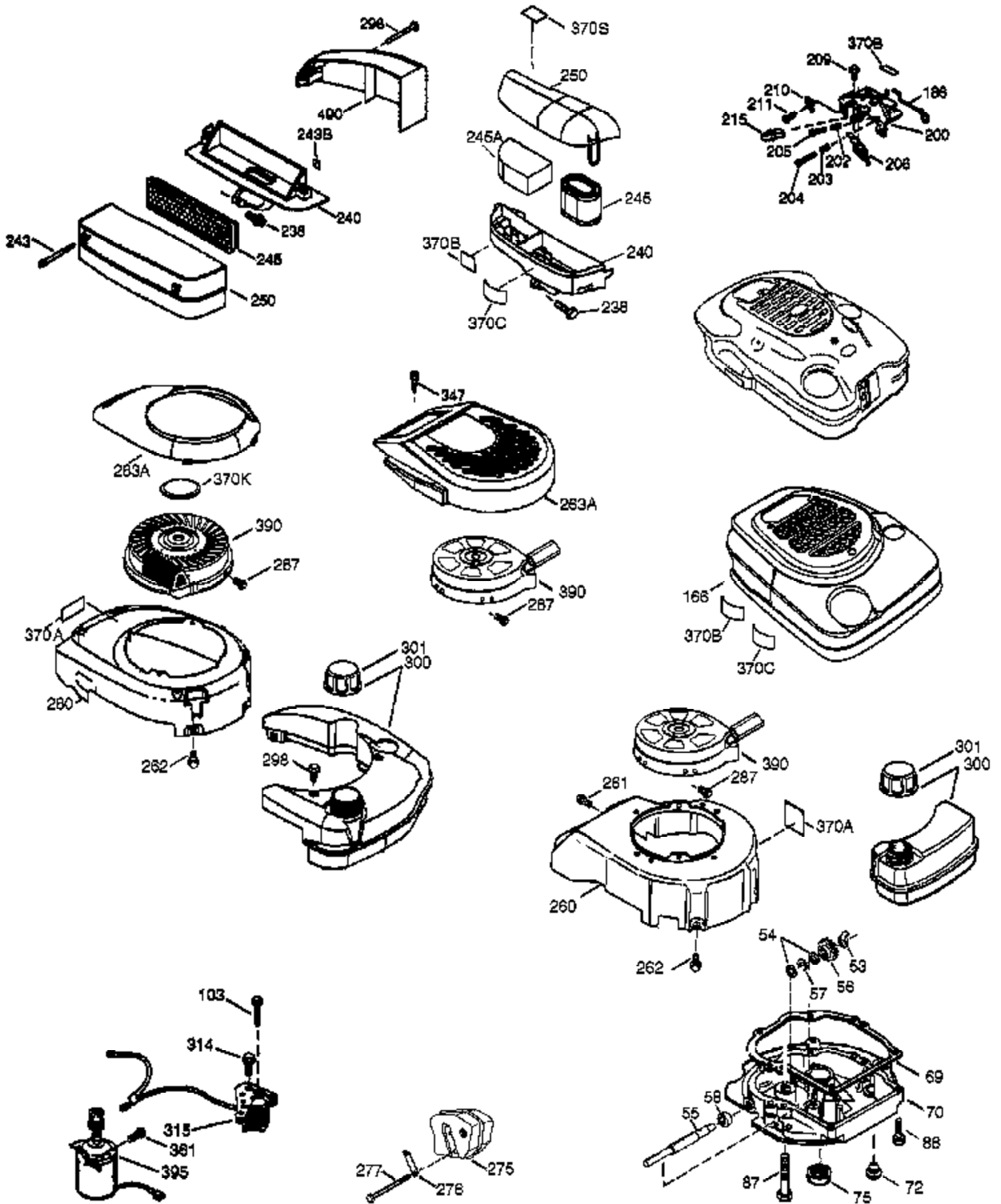


Engine Parts List #1

Ref #	Part Number	Qty	Description
	1 36835A	1	Cylinder (Incl. 2 & 20)
	2 26727	2	Dowel Pin
	6 33734	1	Breather Element
	7 36557	1	Breather Ass'y. (Incl. 6 & 12A)
12A	36558	1	Breather Cover & Tube
	14 28277	1	Washer
	15 30589	1	Governor Rod (Incl. 14)
	16 34839A	1	Governor Lever
	17 31335	1	Governor Lever Clamp
	18 651018	1	Screw, Torx T-15, 8-32 x 19/64"
	19 33578	1	Extension Spring
	20 32600	1	Oil Seal
	30 37506	1	Crankshaft
	40 35544A	1	Piston, Pin & Ring Set (Std.)
	40 35545A	1	Piston, Pin & Ring Set (.010" OS)
	40 35546	1	Piston, Pin & Ring Set (.020" OS)
	41 35541	1	Piston & Pin Ass'y. (Std.)
	41 35542	1	Piston & Pin Ass'y. (.010" OS) (Incl. 43)
	41 35543	1	Piston & Pin Ass'y. (.020" OS) (Incl. 43)
	42 35547A	1	Ring Set (Std.)
	42 35548A	1	Ring Set (.010" OS)
	42 35549	1	Ring Set (.020" OS)
	43 20381	2	Piston Pin Retaining Ring
	45 32875A	1	Connecting Rod Ass'y. (Incl. 46)
	46 32610A	2	Connecting Rod Bolt
	48 35616	2	Valve Lifter
	50 37473	1	Camshaft (Exhaust MCR)(Inc Ref 104)
	52 29914	1	Oil Pump Ass'y.
	69 35261	1	* Mounting Flange Gasket
	70 34311E	1	Mounting Flange (Incl. 72 thru 83,306)
72A	28534	1	Oil Drain Plug
	72 36083	1	Oil Drain Plug
	75 27897	1	Oil Seal
	80 30574A	1	Governor Shaft
	81 30590A	1	Washer
	82 30591	1	Governor Gear Ass'y. (Incl. 81)
	83 30588A	1	Governor Spool
	89 610961	1	Flywheel Key
	90 611213	1	Flywheel
	92 650815	1	Belleville Washer
	93 650816	1	Flywheel Nut
	100 34443B	1	Solid State Ignition
	101 610118	1	Spark Plug Cover
	103 651007	2	Screw, Torx T-15, 10-24 x 15/16"
	104 37480	1	Cam Bushing
110A	37335	1	Wire Assy
	119 36738	1	* Cylinder Head Gasket
	120 37474	1	Cylinder Head
	125 36471	1	Exhaust Valve (Std.) (Incl. 151)
	125 36472	1	Exhaust Valve (1/32" OS) (Incl. 151)
	126 37711	1	Intake Valve (Std.) (Incl. 151)
130A	650999	1	Screw, 5/16-18 x 2-41/64"
	130 650912	4	Screw, 5/16-18 x 1-1/2"
	135 34645	1	Resistor Spark Plug (RN4C)
	150 31672	2	Valve Spring
	151 31673	2	Valve Spring Cap
151A	40016A	1	Valve Seal
	153 36649	1	Push Rod Guide

Ref #	Part Number	Qty	Description
154	650913	1	Rocker Arm Stud
155	35624A	1	Rocker Arm
157	650914	1	Lock Nut
158	36629	2	Push Rod
159	35626	1	* Rocker Arm Cover Gasket
160	35627	1	Rocker Arm Housing
161	30063	4	Screw, Torx T-30, 1/4-20 x 1/2"
178	29752	2	Nut & Lock Washer, 1/4-28
182	30088A	2	Screw, 1/4-28 x 1"
184	26756	1	* Carburetor Gasket
185	36579	1	Intake Pipe
186	34337	1	Governor Link
187	37203	1	Spacer
200	32264A	1	Control Bracket (Incl. 203,204 & 206)
207	34336	1	Throttle Link
209	30200	2	Screw, 10-24 x 9/16"
212	30773	1	Bushing Control Lever
215	32410	1	Control Knob
223	651044	1	Lockwasher & Screw, 1/4-20 x 2-25/32"
224	36581	2	* Intake Pipe Gasket
238	650806	2	Screw, 10-32 x 5/8"
239	34338	1	* Air Cleaner Gasket
245	37116	1	Air Fliter (Poly)
250	37118	1	Air Cleaner Cover (Black)
260	37443	1	Blower Housing
261	650853	1	Screw, Torx T-30, 1/4-20 x 1/2"
262	650831	2	Screw, 1/4-20 x 1/2"
266	651040	1	Stud
266A	650852	1	Nut & Lockwasher
275	36950A	1	Muffler
276	36949	1	Locking Plate
277	651039	2	Screw, 1/4-20 x 2-47/64"
278	37209	1	Spacer
279	650431	1	Screw, Torx T-25, 10-32 X 5/8"
279A	30063	1	Screw, Torx T-30, 1/4-20 X 1/2"
280	37210	1	Heat Shield
285	35000A	1	Starter Cup
287	650926	2	Screw, 8-32 x 21/64"
290	34357	1	Fuel Line
292	26460	2	Fuel Line Clamp
292	26460	1	Fuel Line Clamp
300	36757	1	Fuel Tank (Incl. 292 & 301)
301	35355	1	Fuel Cap
305	35577	1	Oil Fill Tube
306	36996	1	* "O"-Ring
307	35499	1	"O"-Ring
309	650562	1	Screw, 10-32 x 1/2"
310	35578	1	Dipstick
313	34080	1	Spacer
341A	37216	1	Blower Housing Support Bracket
370D	35977	1	Instruction Decal
370C	37505	1	Primer Decal (3X)
370A	36261	1	Lubrication Decal
370B	36507	1	Control Decal
380	640279	1	Carburetor (Incl. 184)
390	590732	1	Starter Recoil (NOTE: This engine could ha e been built with starter 590738.)

Ref #	Part Number	Qty	Description
400	36806B	1	* Gasket Set (Incl. items marked PK i n notes.) Incl. part #'s 26756 (1), 34338 (1), 35626 (1), 35848 (1), 36581 (1), 36738 (2), 36832 (1), 36996 (1), 37130 (1)
420	730225A	1	SAE 30 4-Cycle Engine Oil (Quart)
900		1	Replacement Short Block 750834A



Ref #	Part Number	Qty	Description
46	32610A	2	Connecting Rod Bolt
69	35261	1	* Mounting Flange Gasket
70	34311E	1	Mounting Flange (Incl. 72 thru 83,306)
72	36083	1	Oil Drain Plug
75	27897	1	Oil Seal
86	650488	6	Screw, 1/4-20 x 1-1/4"
103	651007	2	Screw, Torx T-15, 10-24 x 15/16"
186	34337	1	Governor Link
200	32264A	1	Control Bracket (Incl. 203,204 & 206)
203	31342	1	Compression Spring
204	651029	1	Screw, Torx T-10, 5-40 x 7/16"
206	610973	1	Terminal
209	30200	2	Screw, 10-24 x 9/16"
215	32410	1	Control Knob
238	650806	2	Screw, 10-32 x 5/8"
240	37115	1	Air Cleaner Body (Black)
245	37116	1	Air Fliter (Poly)
245A	37117	1	Breather Filter (Poly)
250	37118	1	Air Cleaner Cover (Black)
260	37443	1	Blower Housing
261	650853	1	Screw, Torx T-30, 1/4-20 x 1/2"
262	650831	2	Screw, 1/4-20 x 1/2"
275	36950A	1	Muffler
276	36949	1	Locking Plate
277	651039	2	Screw, 1/4-20 x 2-47/64"
287	650926	2	Screw, 8-32 x 21/64"
298	28763	3	Screw, 10-32 x 35/64"
300	36757	1	Fuel Tank (Incl. 292 & 301)
301	35355	1	Fuel Cap
370K	36695	1	Starter Decal
370S	37504	1	Control Primer Decal
370A	36261	1	Lubrication Decal
370B	36507	1	Control Decal
370C	37505	1	Primer Decal (3X)
390	590732	1	Starter Recoil (NOTE: This engine could ha e been built with starter 590738.)
900		1	Replacement Short Block 750834A