

Engine Parts List #1

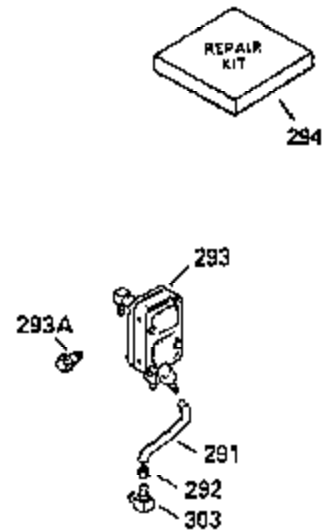
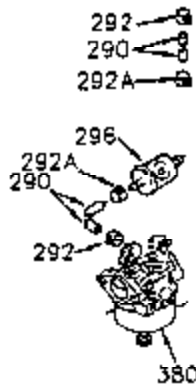
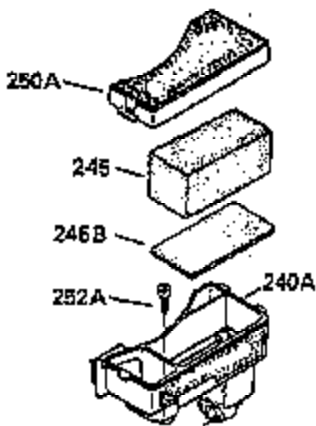
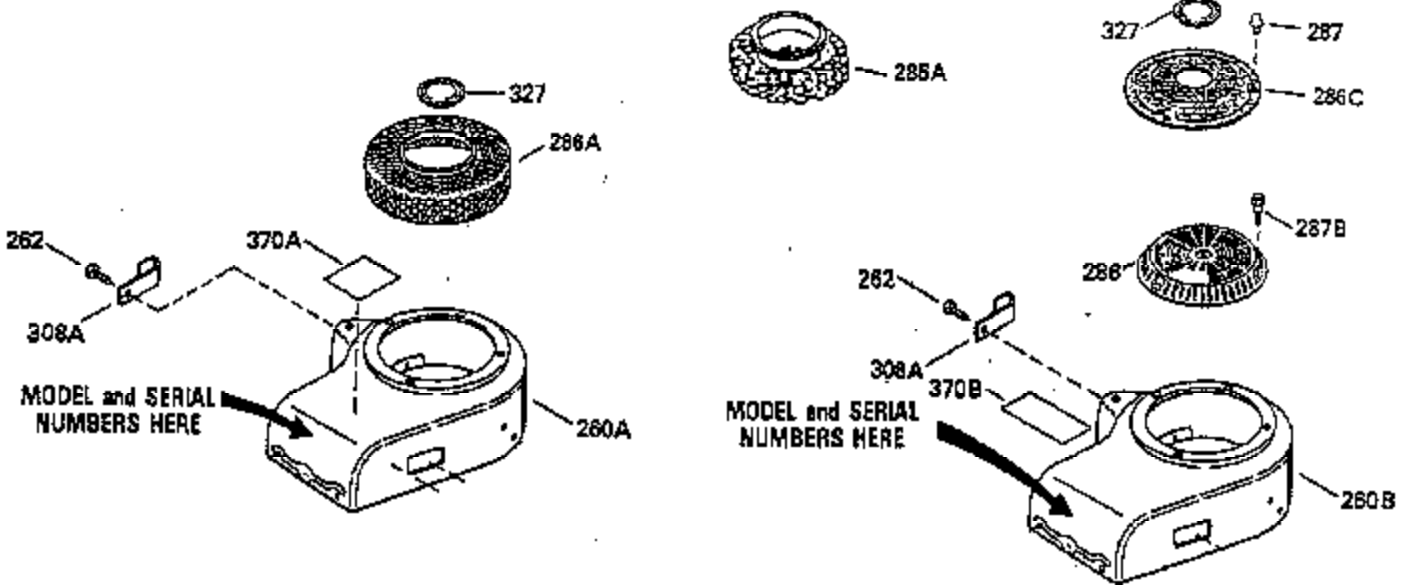
| Ref # | Part Number | Qty | Description |
|-------|-------------|-----|---|
| 1 | 35323A | | Cylinder (Incl. 2 & 20) |
| 2 | 27652 | | Dowel Pin |
| 14 | 28277 | | Washer |
| 15 | 35324 | | Governor Rod |
| 16 | 32651 | | Governor Lever |
| 17 | 29916 | | Governor Lever Clamp |
| 18 | 650548 | | Screw, 8-32 x 5/16" |
| 19 | 35203 | | Extension Spring |
| 20 | 35319 | | Oil Seal |
| 25 | 35326 | | Blower Housing Baffle |
| 28 | 30322 | | Lock Nut, 10-32 |
| 30 | 35335 | | Crankshaft |
| 31 | 35327 | | Counterbalance Gear |
| 32 | 35653 | | Shim Washer (.015") (Use as required) |
| 35 | 29826 | | Screw, 10-32 x 3/4" |
| 36 | 29918 | | Lock Washer |
| 37 | 29216 | | Lock Nut, 10-32 |
| 38 | 29642 | | Retaining Ring |
| 40 | 35339A | | Piston, Pin & Ring Set (Std.) |
| 40 | 35340A | | Piston, Pin & Ring Set (.010" OS) |
| 40 | 35341A | | Piston, Pin & Ring Set (.020" OS) |
| 41 | 35329 | | Piston & Pin Ass'y. (Std.) (Incl. 43) |
| 41 | 35430 | | Piston & Pin Ass'y. (.010" OS) (Incl. 43) |
| 41 | 35431 | | Piston & Pin Ass'y. (.020" OS) (Incl. 43) |
| 42 | 34866A | | Ring Set (Std.) |
| 42 | 34867A | | Ring Set (.010" OS) |
| 42 | 35868A | | Ring Set (.020" OS) |
| 43 | 31919 | | Piston Pin Retaining Ring |
| 45 | 35330A | | Connecting Rod Ass'y. (Incl. 46 & 47) |
| 46 | 650908 | | Connecting Rod Bolt |
| 47 | 650882 | | Connecting Rod Bolt |
| 48 | 35313 | | Valve Lifter |
| 50 | 35314 | | Camshaft (MCR) |
| 51 | 35315A | | Counterbalance Weight |
| 52 | 31356 | | Oil Pump Ass'y. |
| 60 | 35316 | | Blower Housing Extension |
| 64 | 30063 | | Screw, Torx T-30, 1/4-20" |
| 65 | 650128 | | Screw, 10-24 1/2" |
| 66 | 30063 | | Screw, Torx T-30, 1/4-20" |
| 69 | 35317 | | * Flange Gasket |
| 70 | 35318A | | Mounting Flange |
| 72 | 31927 | | Oil Drain Plug |
| 75 | 35319 | | Oil Seal |
| 80 | 35320 | | Governor Shaft |
| 81 | 35479 | | Washer |
| 82 | 35321 | | Governor Gear Ass'y. |
| 83 | 35322 | | Governor Spool |
| 84 | 29193 | | Retaining Ring |
| 86 | 650833 | | Screw, 1/4-20 x 1-3/16" |
| 88 | 31707A | | Spacer (Incl. 81) |
| 89 | 32589 | | Flywheel Key |
| 90 | 611090 | | Flywheel |
| 92 | 650880 | | Lock Washer |
| 93 | 650881 | | Flywheel Nut |
| 100 | 35135 | | Solid State Ignition |
| 101 | 610118 | | Spark Plug Cover |
| 102 | 650872 | | Solid State Mounting Stud |
| 103 | 650814 | | Screw, Torx T-15, 10-24 x 1" |

Engine Parts List #1

| Ref # | Part Number | Qty | Description |
|-------|-------------|-----|--|
| 110 | 35182 | | Ground Wire |
| 119 | 35306A | | * Cylinder Head Gasket |
| 120 | 35307 | | Cylinder Head |
| 121 | 730218 | | Valve Guide Kit (Incl. 2 of No. 122) |
| 122 | 792035 | | Retaining Ring |
| 123 | 35288 | | Intake Pipe Brace |
| 124 | 650738 | | Screw, 1/4-20 x 5/8" |
| 125 | 35308 | | Exhaust Valve (Std.) |
| 125 | 35433 | | Exhaust Valve (1/32" OS) |
| 126 | 35309 | | Intake Valve (Std.) |
| 126 | 35432 | | Intake Valve (1/32" OS) |
| 127 | 650691 | | Washer |
| 128 | 650690 | | Belleville Washer |
| 129 | 650746 | | Screw, 5/16-18 x 1-3/8" |
| 130 | 650692 | | Screw, 5/16-18 x 1-3/4" |
| 131 | 30063 | | Screw, Torx T-30, 1/4-20 x 1/2" |
| 135 | 34046 | | Resistor Spark Plug (RL-86C) |
| 141 | 33481 | | * "O" Ring (Also Incl. in 401) |
| 142 | 35475 | | Push Rod Tube |
| 143 | 35310 | | Rocker Arm Housing |
| 144 | 33484 | | * "O"Ring (Also Incl. in 401) |
| 145 | 650168 | | Washer |
| 146 | 32610A | | Screw, 1/4-20 x 29/32" |
| 147 | 33509 | | * "O" Ring (Also Incl. in 401) |
| 148 | 34410 | | * "O" Ring (Also Incl. in 401) |
| 149 | 33510 | | Valve Spring Cap |
| 150 | 33507 | | Valve Spring |
| 151 | 33508 | | Valve Spring Keeper |
| 152 | 35295 | | * "O" Ring (Also Incl. in 401) |
| 153 | 35296 | | Push Rod Guide |
| 154 | 650878 | | Rocker Arm Stud |
| 155 | 35297 | | Rocker Arm |
| 156 | 35298 | | Rocker Arm Bearing |
| 157 | 28264 | | * Lock Nut (Incl.162)(Also Incl.in 401) |
| 158 | 35466 | | Push Rod |
| 159 | 35299B | | * "O" Ring (Incl.2 of No.161)(Also Incl .in 401) |
| 160 | 35300 | | Rocker Arm Housing |
| 161 | 650879 | | Screw, Torx T-20, 8-32 x 1/2" |
| 162 | 650903 | | * Jam Nut (Also Incl. in 401) |
| 169 | 27896A | | * Valve Cover Gasket |
| 170 | 28423 | | Breather Body |
| 171 | 28424 | | Breather Element |
| 172 | 28425 | | Valve Cover |
| 173 | 35350 | | Breather Tube |
| 174 | 650128 | | Screw, 10-24 x 1/2" |
| 180 | 35301 | | Blower Housing Extension |
| 181 | 650128 | | Screw, 10-24 x 1/2" |
| 182 | 650517 | | Screw, 1/4-20 x 27/32" |
| 184 | 33263 | | * Carburetor To Intake Pipe Gasket |
| 185 | 35304 | | Intake Pipe |
| 186 | 35302 | | Governor Link |
| 186B | 35346 | | Governor Link Spring |
| 200 | 34109A | | Control Bracket (Incl. 203, 204 & 206) |
| 203 | 31342 | | Compression Spring |
| 204 | 650549 | | Screw, 5-40 x 7/16" |
| 206 | 610973 | | Terminal |
| 210 | 27793 | | Conduit Clip |
| 211 | 28942 | | Screw, 10-32 x 3/8" |

| Ref # | Part Number | Qty | Description |
|-------|-------------|-----|---|
| 223 | 792028 | | Screw, 5/16-18 x 7/8" |
| 224 | 33515A | | * Intake Pipe Gasket |
| 237 | 35286 | | Air Cleaner Adapter |
| 239 | 33629 | | * Air Cleaner Gasket |
| 239A | 34912 | | * Air Cleaner Gasket To Blower Housing |
| 243 | 650875 | | Screw, 10-32 x 5-1/4" |
| 245 | 35108 | | Air Cleaner Filter |
| 262 | 29747B | | Screw, Torx T-40, 5/16-24 x 21/32" |
| 264 | 650273 | | Screw, 5/16-18 x 5/8" |
| 265 | 35290 | | Cylinder Head Cover |
| 266 | 650876 | | Screw, 5/16-18 x 1-1/4" |
| 270 | 35292 | | Exhaust Manifold |
| 271 | 35293 | | Locking Plate |
| 290 | 30705 | | Fuel Line |
| 292 | 26460 | | Fuel Line Clamp |
| 307 | 33590 | | "O" Ring |
| 308 | 33997 | | Fill Tube Clip |
| 325 | 27275 | | Wire Clip |
| 327 | 34113 | | Starter Plug |
| 370 | 34346 | | Instruction Decal |
| 379 | 631021 | | Inlet Needle, Seat & Clip Ass'y. |
| 380 | 632413 | | Carburetor (Incl. 184) |
| 400 | 35331B | | * Gasket Set (Incl. items marked PK i n notes) Incl. (1) 27272A,(2) 27896A, (2) 28264, (1) 33263, (4) 33481, (1) 33484, (1) 33509, (1) 33515A, (2) 33629, (1) 34410, (1) 34912, (2) 35295, (1) 35299B,(1) 35306A, (1) 35317, (1) 35683, (2) 35762 |
| 401 | 35332 | | * "O"Ring Kit (Also Included in 400) (2) 28264, (4) 33481, (1) 33484, (1) 33509, (1) 34410, (2) 35295, (1) 35299B |
| 407 | 35837 | | Fill Tube & Dipstick Ass'y. |
| 420 | 730225 | | SAE 30 4-Cycle Engine Oil (Quart) |

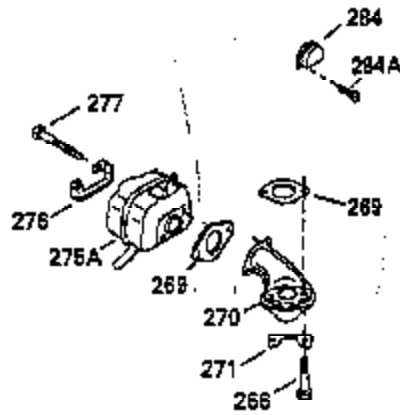
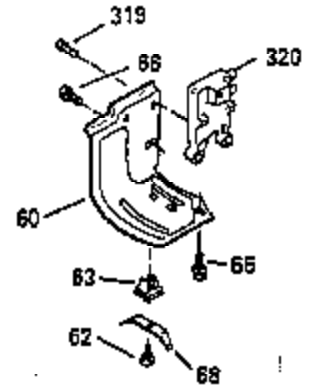
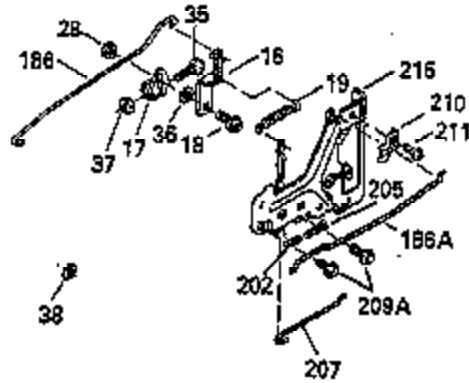
ILLUSTRATION SHOWS TYPICAL PARTS ONLY. ORDER BY PART NUMBER. PARTS NOT LISTED ARE SUPPLIED BY OEM. .



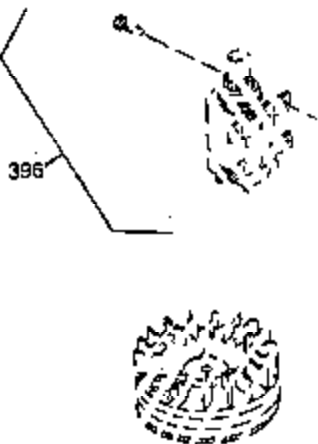
Engine Parts List #2

| Ref # | Part Number | Qty | Description |
|-------|-------------|-----|--|
| | 64 30063 | | Screw, Torx T-30, 1/4-20" |
| | 131 30063 | | Screw, Torx T-30, 1/4-20 x 1/2" |
| | 239A 34912 | | * Air Cleaner Gasket To Blower Housing |
| | 240A 34909 | | Air Cleaner Body |
| | 243 650875 | | Screw, 10-32 x 5-1/4" |
| | 245B 34910 | | Air Cleaner Filter |
| | 245 35108 | | Air Cleaner Filter |
| | 250A 34911 | | Air Cleaner Cover |
| | 252A 650784 | | Screw, 10-24 x 11/16" |
| | 260B 35793 | | Blower Housing |
| | 262 29747B | | Screw, Torx T-40, 5/16-24 x 21/32" |
| | 286C 35411 | | Starter Screen |
| | 287 | | Pop Rivet (Can Be Purchased Locally) |
| | 290 30705 | | Fuel Line |
| | 292 26460 | | Fuel Line Clamp |
| | 296 34279B | | Fuel Filter (Incl. 292) |
| | 308A 35437 | | Fill Tube Clip |
| | 325 27275 | | Wire Clip |
| | 327 34113 | | Starter Plug |
| | 370B 34387 | | Instruction Decal |
| | 370A 34686 | | Name Decal |
| | 380 632413 | | Carburetor (Incl. 184) |

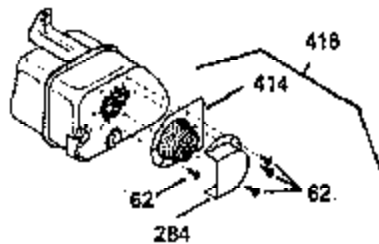
ILLUSTRATION SHOWS TYPICAL PARTS ONLY. ORDER BY PART NUMBER. PARTS NOT LISTED ARE SUPPLIED BY OEM.



OPTIONAL ELECTRIC STARTER MOTOR



OPTIONAL SPARK ARRESTOR

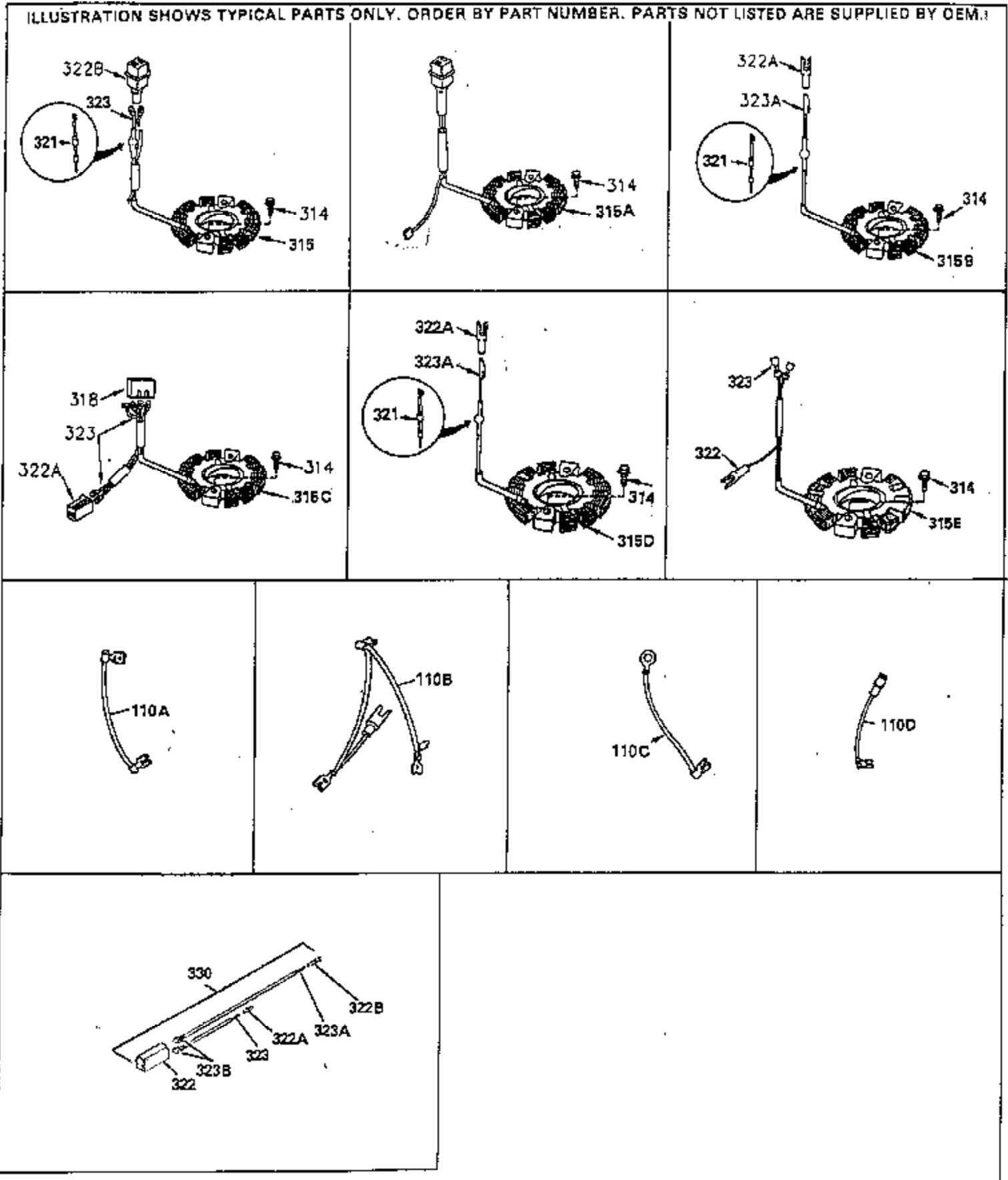


OPTIONAL DEBRIS SCREEN



| Ref # | Part Number | Qty | Description |
|-------|-------------|-----|--|
| 16 | 32651 | | Governor Lever |
| 17 | 29916 | | Governor Lever Clamp |
| 18 | 650548 | | Screw, 8-32 x 5/16" |
| 19 | 35203 | | Extension Spring |
| 28 | 30322 | | Lock Nut, 10-32 |
| 35 | 29826 | | Screw, 10-32 x 3/4" |
| 36 | 29918 | | Lock Washer |
| 37 | 29216 | | Lock Nut, 10-32 |
| 38 | 29642 | | Retaining Ring |
| 60 | 35316 | | Blower Housing Extension |
| 64 | 30063 | | Screw, Torx T-30, 1/4-20" |
| 65 | 650128 | | Screw, 10-24 1/2" |
| 66 | 30063 | | Screw, Torx T-30, 1/4-20" |
| 131 | 30063 | | Screw, Torx T-30, 1/4-20 x 1/2" |
| 172 | 28425 | | Valve Cover |
| 173 | 35350 | | Breather Tube |
| 174 | 650128 | | Screw, 10-24 x 1/2" |
| 182 | 650517 | | Screw, 1/4-20 x 27/32" |
| 186 | 35302 | | Governor Link |
| 209A | 30200 | | Screw, 10-24 x 9/16" |
| 210 | 27793 | | Conduit Clip |
| 211 | 28942 | | Screw, 10-32 x 3/8" |
| 239A | 34912 | | * Air Cleaner Gasket To Blower Housing |
| 243 | 650875 | | Screw, 10-32 x 5-1/4" |
| 266 | 650876 | | Screw, 5/16-18 x 1-1/4" |
| 270 | 35292 | | Exhaust Manifold |
| 271 | 35293 | | Locking Plate |
| 325 | 27275 | | Wire Clip |
| 327 | 34113 | | Starter Plug |
| 361 | 30063 | | Screw, TorxT-30, 1/4-20 x 1/2" |
| 370B | 34387 | | Instruction Decal |
| 380 | 632413 | | Carburetor (Incl. 184) |
| 395 | 33605 | | Starter Motor (12 Volt) |

ILLUSTRATION SHOWS TYPICAL PARTS ONLY. ORDER BY PART NUMBER. PARTS NOT LISTED ARE SUPPLIED BY OEM.



| Ref # | Part Number | Qty | Description |
|-------|-------------|-----|--|
| 64 | 30063 | | Screw, Torx T-30, 1/4-20" |
| 131 | 30063 | | Screw, Torx T-30, 1/4-20 x 1/2" |
| 239A | 34912 | | * Air Cleaner Gasket To Blower Housing |
| 243 | 650875 | | Screw, 10-32 x 5-1/4" |
| 314 | 650873 | | Screw, 1/4-20 x 3/4" |
| 315 | 611113 | | Alternator Coil (3 Amp)(Incl.321,322& 323) |
| 321 | 611161 | | Diode |
| 322 | 610921 | | Connector Body |
| 323 | 610922 | | Terminal |
| 325 | 27275 | | Wire Clip |