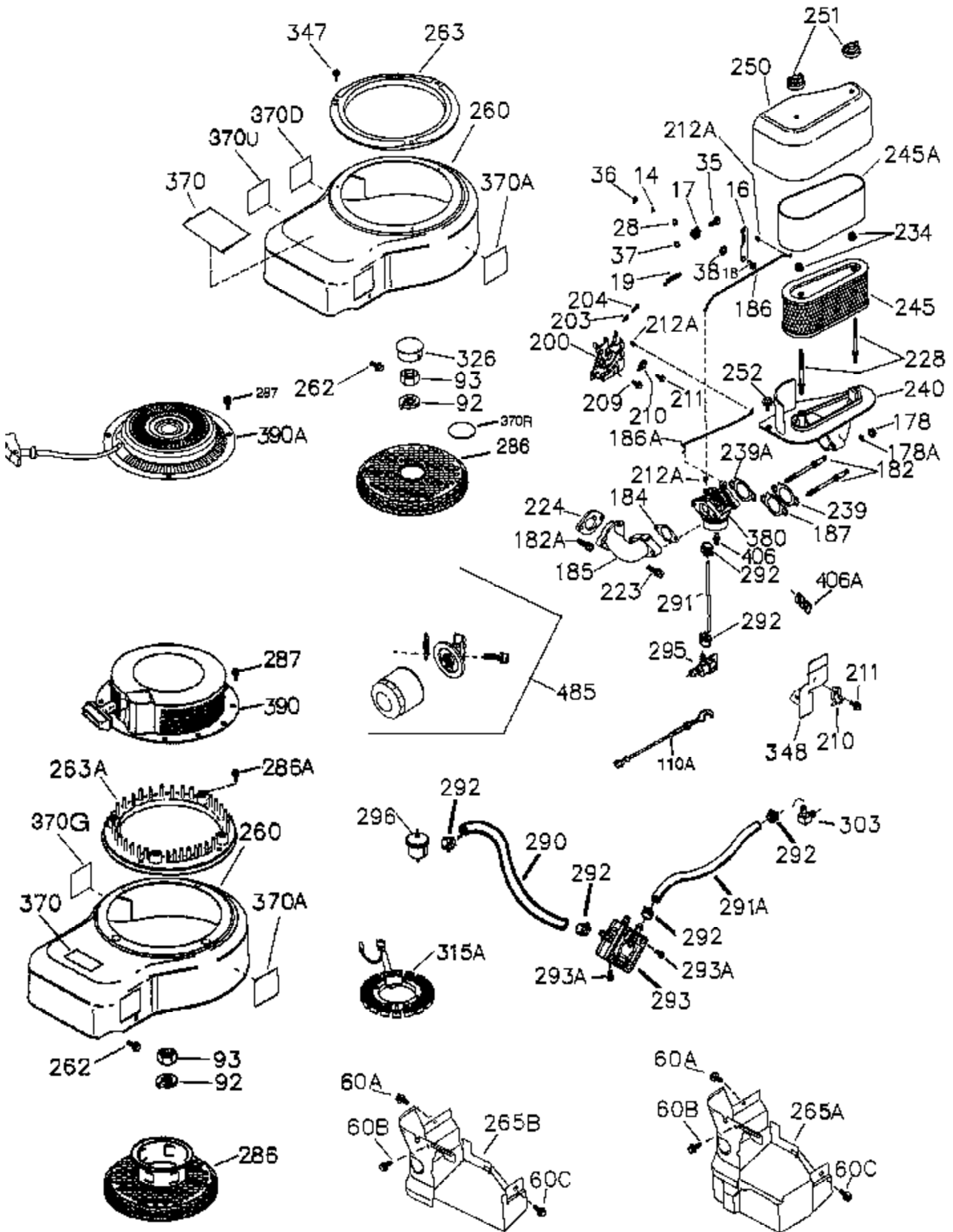


Ref #	Part Number	Qty	Description
1	37525A	1	Cylinder (Incl. 2,11B,20,72B & 314)
2	27652	2	Dowel Pin
11A	36303	1	Breather Plate
11	36302	1	Check Valve
11B	650902	1	Screw, 10-32 x 7/16"
15	37754	1	Governor Rod
20	36301	1	Oil Seal
30	36308	1	Crankshaft
31	36324	1	Counterbalance Gear
38	37109	1	Retaining Ring
40	36312	1	Piston, Pin & Ring Set (Std.)
40	36313	1	Piston, Pin & Ring Set (.010" OS)
40	36314	1	Piston, Pin & Ring Set (.020" OS)
41	36309	1	Piston & Pin Ass'y. (Std.) (Incl. 43)
41	36310	1	Piston & Pin Ass'y. (.010" OS) (Incl. 43)
41	36311	1	Piston & Pin Ass'y. (.020" OS) (Incl. 43)
42	36315	1	Ring Set (Std.)
42	36316	1	Ring Set (.010" OS)
42	36317	1	Ring Set (.020" OS)
43	35772	2	Piston Pin Retaining Ring
45	36318A	1	Connecting Rod (Incl. 46)
45	36319A	1	Connecting Rod Ass'y. (.010" US) (Incl. 46)
45	36320A	1	Connecting Rod Ass'y. (.020" US) (Incl. 46)
46	651063	2	Connecting Rod Bolt
48	36321	2	Valve Lifter
50	36533A	1	Camshaft (MCR)
51	36323	1	Counterbalance Weight
52D	650888	3	Screw, T-30, 1/4-20 x 43/64"
52C	36334	1	Oil Pump Cover (Incl. 52B)
52	37305	1	Oil Pump Ass'y.
52B	36333	1	* "O" Ring
52A	36331	1	Oil Pump Shaft
60A	650273	1	Screw, 5-16/18 x 17/32"
60B	650867	1	Screw, 10-24 x 1/2"
60	36361	1	Air Baffle
65	30063	1	Screw, T-30, 1/4-20 x 1/2"
66	650737	2	Screw, 1/4-20 x 1/2"
69	36565	1	* Mounting Flange Gasket
70	37304A	1	Mounting Flange (Incl. 72B,75,80,381- 387)
72B	28534	1	Pipe Plug
72A	28483	2	Oil Drain Plug
75A	510337	1	Oil Seal (Governor Shaft)
75	36301	1	Oil Seal
80	35712	1	Governor Shaft
81	35479A	2	Washer
82	37756	1	Governor Gear Ass'y.
83	35322	1	Governor Spool
84	29193	1	Retaining Ring
86	650970	9	Screw, 1/4-20 x 1-15/32"
89	650592	1	Flywheel Key
90	611243	1	Flywheel
91A	611242	1	Flywheel Fan Retainer
91	611241A	1	Flywheel Fan
100	36344A	1	Solid State Ignition (Incl. 101)
101	610118	1	Spark Plug Cover
102	651024	2	Solid State Mounting Stud
103	651007	2	Screw, T-15, 10-24 x 15/16"
119	37493	1	* Cylinder Head Gasket

Ref #	Part Number	Qty	Description
120	37757	1	Cylinder Head (Incl. 119,151A & 270A)
125	35308	1	Exhaust Valve (Std.)
125	35433	1	Exhaust Valve (1/32" OS)
126	35309	1	Intake Valve (Std.)
127	650691	6	Washer
128	650690	6	Belleville Washer
130	650946	6	Screw, 5/16-18 x 2-45/64"
135	34645	1	Resistor Spark Plug (RN4C)
150	33507	2	Valve Spring
151	33508	2	Valve Spring Keeper
151A	40046	1	Intake Valve Seal
153	36339	1	Push Rod Guide
154	651077	2	Rocker Arm Stud
155	35950	2	Rocker Arm
156	730636	2	Rocker Arm Bearing
157A	650586	2	Jam Nut 5/16-24
158	36340	2	Push Rod
159	35952	1	* Rocker Arm Cover Gasket
160	35953A	1	Rocker Arm Housing
161	30063	4	Screw, T-30, 1/4-20 x 1/2"
169	36304	1	* Breather Gasket
172	36305	1	Valve Cover
173	36306	1	Breather Tube
174	30063	4	Screw, T-30, 1/4-20 x 1/2"
264A	650802	1	Screw, 1/4-20 x 5/8"
269	36365	1	* Exhaust Manifold Gasket
270	36364	1	Exhaust Manifold
270A	35829A	1	Exhaust Port Liner
271A	36371	1	Muffler Clamp
271	36363	1	Locking Plate (Manifold)
275	36372	1	Muffler
277	650876	2	Screw, 5/16-18 x 1-9/32"
279	650992	1	Screw, 5/16-18 x 21/64"
280	36373	1	Heat Shield
284	36596	1	Muffler Deflector
294	35791	1	Pulse Pump Repair Kit
305	36349	1	Oil Fill Tube
306	37401	1	* "O" Ring
307	35499	1	"O" Ring
309	650974	1	Screw, 1/4-20 x 57/64"
310	36366	1	Dipstick
314	651007	2	Screw, T-15, 10-24 x 15/16"
315	611280	1	Alternator Coil (3/5 Split)(Incl. 321 -323)
321	611161	1	Diode
322	611281	1	Connector Body
323	611282	2	Terminal
325B	37230	1	Wire Clip
325	36342	1	Wire Clip
330	611296	1	Wire Harness
330	611297	1	Wire Harness
346	36413	1	Fuel Pump Bracket
361	650969	2	Screw, 5/16-18 x 29/32"
381	650767	1	Screw, 8-32 x 27/64"
382	36328	1	Oil Strainer Screen
385	570673	1	Ball
386	36329	1	Pressure Relief Spring
387	37652	1	Cotter Pin
395	36795	1	Electric Starter Motor (12 Volt)

Ref #	Part Number	Qty	Description
400	37496	1	* Gasket Set (Incl. items marked PK i n notes)
406B	37824	1	Solenoid Wire
420	730225A	1	SAE 30 4-Cycle Engine Oil (Quart)
475	36563	1	Oil Filter
476	36374B	1	Oil Filter Adapter (Incl. 177 & 479)
477	650971	2	Screw, T-30, 5/16-18 x 7/8"
478	36336	1	Oil Passage Cover (Incl. 479)
479	36335	1	* Oil Passage Gasket



Ref #	Part Number	Qty	Description
14	651052	2	Washer
16	37758	1	Governor Lever
17	29916	1	Governor Lever Clamp
18	651028	1	Screw, T-15, 8-32 x 7/16"
19	37766	1	Extension Spring
28	30322	1	Lock Nut, 8-32
35	29826	1	Screw, 10-32 x 3/4"
36	29918	1	Lock Washer
37	29216	1	Lock Nut, 10-32
38	37109	1	Retaining Ring
60A	650273	1	Screw, 5-16/18 x 17/32"
60C	650737	1	Screw, 1/4-20 x 1/2"
60B	650867	1	Screw, 10-24 x 1/2"
92	651082	1	Belleville Washer
93	650594	1	Flywheel Nut
110A	36917	1	Ground Wire & Terminal
157A	650586	2	Jam Nut 5/16-24
178	650928	2	Wing Nut, 1/4-20
182	650925A	2	Carburetor Mounting Stud
184	36352	1	* Carburetor To Intake Pipe Gasket
185	37767	1	Intake Pipe
186	36354	1	Governor Link
186A	36353	1	Choke Link
200	36360	1	Control Bracket (Incl. 203,204,212A)
203	33802	1	Compression Spring
204	651019	1	Screw, T-10, 6-32 x 41/64"
209	650902	2	Screw, 10-32 x 7/16"
210	27793	1	Conduit Clip
211	28942	1	Screw, 10-32 x 3/8"
212A	36288	3	Bushing
223	650975	2	Screw, T-30, 5/16-18 x 1-9/32"
224	36490	1	* Intake Pipe Gasket
228	650977	2	Air Cleaner Stud
234	650825	2	Nut & Lock Washer, 1/4-20
239	36358	1	* Air Cleaner Gasket
240	36355	1	Air Cleaner Body (Incl. 228 & 239)
245	36356	1	Air Cleaner Filter (Incl. 229)
245A	36357	1	Air Cleaner Filter
250	36359	1	Air Cleaner Cover
251	650886	2	Wing Nut, 1/4-20
252	650976	1	Screw, 1/4-20 x 19/32"
260	36347	1	Blower Housing
262	650737	3	Screw, 1/4-20 x 1/2"
263	36367	1	Trim Ring (Black)
264A	650802	1	Screw, 1/4-20 x 5/8"
265A	36571	1	Cylinder Head Cover
286	36343	1	Cup & Screen
291	30705	1	Fuel Line
291	29774	1	Fuel Line
292	26460	4	Fuel Line Clamp
293	35787	1	Pulse Pump (Incl. 294)
293A	650931	2	Screw, 8-32 x 1-1/2"
296	37768	1	Fuel Filter (Incl. 292)
303	32958	1	Fuel Fitting
326	36210	1	Screen Plug
347	650949	3	Screw, 10-24 x 9/16"
370G	35274	1	Oil Instruction Decal
380	640330	1	Carburetor (Incl. 184 & 212A)

Ref #	Part Number	Qty	Description
406B	37824	1	Solenoid Wire
485	36435A	1	Oil Filter Adapter Kit (Incl. 475,476 & 477)(Optional)