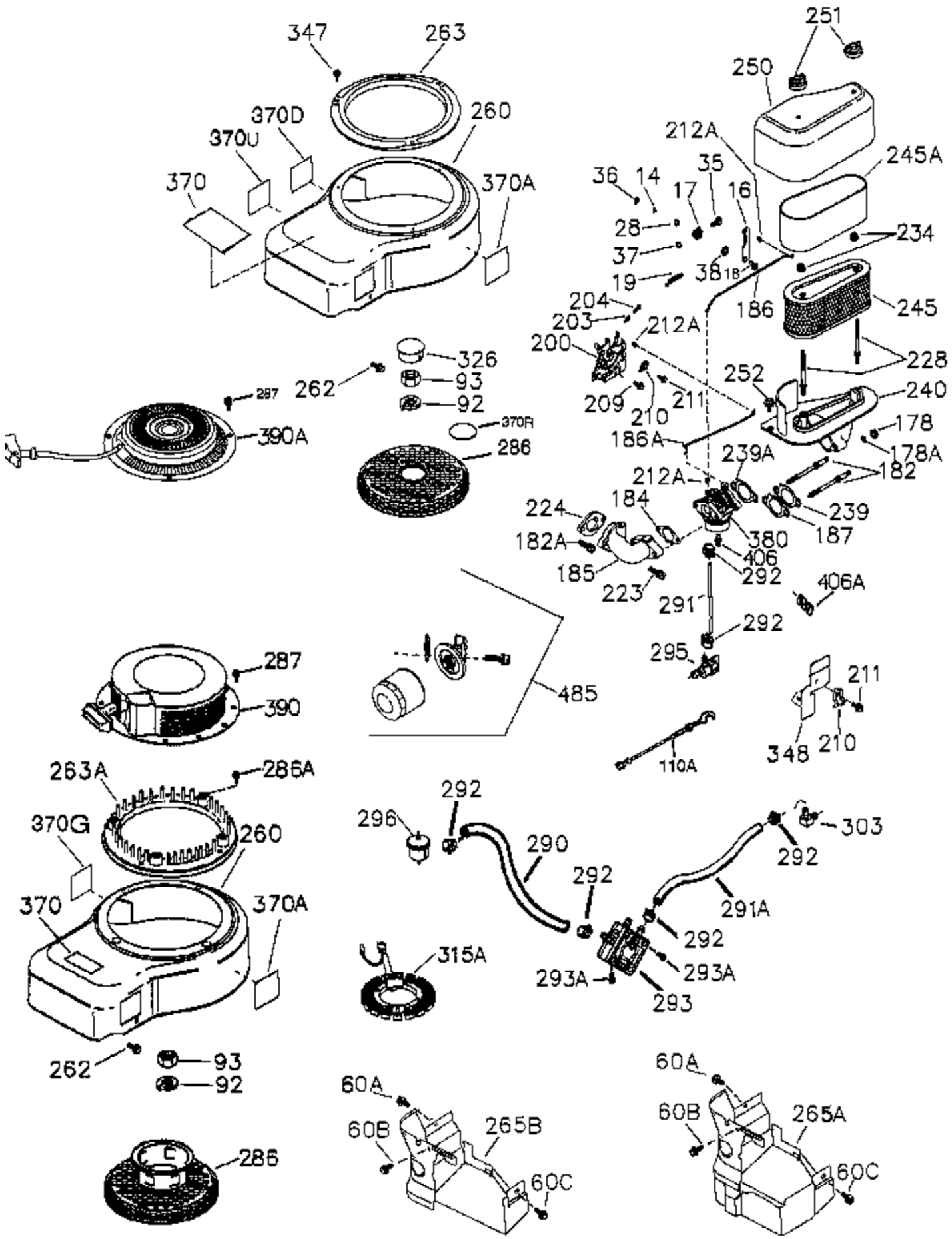


| Ref # | Part Number | Qty | Description |
|-------|-------------|-----|--|
| 1 | 36300A | 1 | Cylinder (Incl. 2,11B,20,72B & 314) |
| 2 | 27652 | 2 | Dowel Pin |
| 11 | 36302 | 1 | Check Valve |
| 11A | 36303 | 1 | Breather Plate |
| 11B | 650902 | 1 | Screw, 10-32 x 7/16" |
| 15 | 36307 | 1 | Governor Rod |
| 20 | 36301 | 1 | Oil Seal |
| 30 | 36308 | 1 | Crankshaft |
| 31 | 36324 | 1 | Counterbalance Gear |
| 38 | 29642 | 1 | Retaining Ring |
| 40 | 36312 | 1 | Piston, Pin & Ring Set (Std.) |
| 40 | 36313 | 1 | Piston, Pin & Ring Set (.010" OS) |
| 40 | 36314 | 1 | Piston, Pin & Ring Set (.020" OS) |
| 41 | 36309 | 1 | Piston & Pin Ass'y. (Std.) (Incl. 43) |
| 41 | 36310 | 1 | Piston & Pin Ass'y. (.010" OS) (Incl. 43) |
| 41 | 36311 | 1 | Piston & Pin Ass'y. (.020" OS) (Incl. 43) |
| 42 | 36315 | 1 | Ring Set (Std.) |
| 42 | 36316 | 1 | Ring Set (.010" OS) |
| 42 | 36317 | 1 | Ring Set (.020" OS) |
| 43 | 35772 | 2 | Piston Pin Retaining Ring |
| 45 | 36318A | 1 | Connecting Rod Ass'y. (Incl. 46) |
| 45 | 36319 | 1 | Connecting Rod Ass'y. (.010" US) (Incl. 46) |
| 45 | 36320 | 1 | Connecting Rod Ass'y. (.020" US) (Incl. 46) |
| 46 | 650908 | 2 | Connecting Rod Bolt |
| 48 | 36321 | 2 | Valve Lifter |
| 50A | 730656 | | Camshaft Repair Kit |
| 50 | 36533A | 1 | Camshaft (MCR) |
| 51 | 36323 | 1 | Counterbalance Weight |
| 52A | 36331 | 1 | Oil Pump Shaft |
| 52D | 650888 | 3 | Screw, Torx T-30, 1/4-20 x 43/64" |
| 52C | 36334 | 1 | Oil Pump Cover (Incl. 52B) |
| 52B | 36333 | 1 | * "O" Ring |
| 52 | 36332 | 1 | Oil Pump Ass'y. |
| 60B | 650867 | 1 | Screw, 10-24 x 1/2" |
| 60 | 36361 | 1 | Air Baffle |
| 60A | 650781 | 1 | Screw, 5-16/18 x 11/16" |
| 65 | 30063 | 1 | Screw, Torx T-30, 1/4-20 x 1/2" |
| 66 | 650737 | 1 | Screw, 1/4-20 x 1/2" |
| 69 | 36565 | 1 | * Mounting Flange Gasket |
| 70 | 36566 | 1 | Mounting Flange (Incl.72,72B,75,80,38 1-387) |
| 72A | 28483 | 2 | Oil Drain Plug |
| 72B | 28534 | 2 | Oil Drain Plug |
| 75 | 36301 | 1 | Oil Seal |
| 80 | 35712 | 1 | Governor Shaft |
| 81 | 35479 | 2 | Washer |
| 82 | 36327 | 1 | Governor Gear Ass'y. |
| 83 | 35322 | 1 | Governor Spool |
| 84 | 29193 | 1 | Retaining Ring |
| 86 | 650970 | 9 | Screw, 1/4-20 x 1-15/32" |
| 89 | 650592 | 1 | Flywheel Key |
| 90 | 611243 | 1 | Flywheel (W/Ring Gear) |
| 91 | 611241 | 1 | Flywheel Fan |
| 91A | 611242 | 1 | Flywheel Retainer |
| 100 | 36344 | 1 | Solid State Ignition (Incl. 101) |
| 101 | 610118 | 1 | Spark Plug Cover |
| 102 | 651024 | 2 | Solid State Mounting Stud |
| 103 | 651007 | 2 | Screw, Torx T-15, 10-24 x 15/16" |
| 110 | 36645 | 1 | Ground Wire |

| Ref # | Part Number | Qty | Description |
|-------|-------------|-----|---|
| 119 | 36337 | 1 | * Cylinder Head Gasket |
| 120 | 36488 | 1 | Cylinder Head |
| 125 | 35308 | 1 | Exhaust Valve (Std.) |
| 125 | 35433 | 1 | Exhaust Valve (1/32" OS) |
| 126 | 35309 | 1 | Intake Valve (Std.) |
| 126 | 35432 | 1 | Intake Valve (1/32" OS) |
| 127 | 650691 | 6 | Washer |
| 128 | 650690 | 6 | Belleville Washer |
| 130 | 650946 | 6 | Screw, 5/16-18 x 2-45/64" |
| 135 | 34645 | 1 | Spark Plug (RN4C) |
| 150 | 33507 | 2 | Valve Spring |
| 151 | 33508 | 2 | Valve Spring Keeper |
| 153 | 36339 | 1 | Push Rod Guide |
| 154 | 650972 | 2 | Rocker Arm Stud |
| 155 | 35950 | 2 | Rocker Arm |
| 156 | 730636 | 2 | Rocker Arm Bearing |
| 157 | 730636 | 2 | Screw, 5/16-24 x 1/4" |
| 158 | 36340 | 2 | Push Rod |
| 159 | 35952 | 1 | * Rocker Arm Cover Gasket |
| 160 | 35953A | 1 | Rocker Arm Housing |
| 161 | 30063 | 4 | Screw, Torx T-30, 1/4-20 x 1/2" |
| 169 | 36304 | 1 | * Breather Gasket |
| 172 | 36305 | 1 | Valve Cover |
| 173 | 36306 | 1 | Breather Tube |
| 174 | 30063 | 4 | Screw, Torx T-30, 1/4-20 x 1/2" |
| 265 | 36615 | 1 | Cylinder Head Cover |
| 270A | 35829A | 1 | Exhaust Port Liner |
| 305 | 36349 | 1 | Oil Fill Tube |
| 306 | 36348 | 1 | * "O" Ring |
| 307 | 35499 | 1 | "O" Ring |
| 309 | 650974 | 1 | Screw, 1/4-20 x 57/64" |
| 310 | 36366 | 1 | Dipstick |
| 314 | 651007 | 2 | Screw, Torx T-15, 10-24 x 15/16" |
| 315 | 611181 | 1 | Alternator Coil (3/5 Split) (Incl.321 - 323) |
| 321 | 611161 | 1 | Diode |
| 322 | 611142 | 1 | Connector Body |
| 323 | 611118 | 1 | Terminal |
| 325 | 36342 | 1 | Wire Clip |
| 325B | 37230 | 1 | Wire Clip |
| 361 | 650969 | 2 | Screw, 5/16-18 x 29/32" |
| 381 | 650767 | 1 | Screw, 8-32 x 27/64" |
| 382 | 36328 | 1 | Oil Strainer Screen |
| 385 | 570673 | 1 | Ball |
| 386 | 36329 | 1 | Pressure Relief Spring |
| 387 | 36330 | 1 | Roll Pin |
| 394A | 650982 | 1 | Washer |
| 395 | 36795 | 1 | Electric Starter Motor (12 Volt) |
| 400 | 36567 | 1 | * Gasket Set (Incl. items marked PK i n notes) Incl. one each of part #'s:35952, 36304, 36325, 36333, 36335, 36337, 36348, 36351, 36352, 36358, 36365, 36490, 36565 |
| 420 | 730225 | 1 | SAE 30 4-Cycle Engine Oil (Quart) |
| 475 | 36961 | 1 | Oil Filter |
| 476 | 36374B | 1 | Oil Filter Adapter (Incl. 479) |
| 477 | 650978 | 2 | Screw, Torx T-30, 5/16-18 x 1-7/16" |
| 479 | 36335 | 1 | * Oil Filter Adapter Gasket |



| Ref # | Part Number | Qty | Description |
|-------|-------------|-----|--------------------------------------|
| 14 | 28277 | 2 | Washer |
| 16 | 36346A | 1 | Governor Lever |
| 17 | 29916 | 1 | Governor Lever Clamp |
| 18 | 651028 | 1 | Screw, Torx T-15, 8-32 x 3/8" |
| 19 | 36414 | 1 | Extension Spring |
| 28 | 30322 | 1 | Lock Nut, 8-32 |
| 35 | 29826 | 1 | Screw, 10-32 x 3/4" |
| 36 | 29918 | 1 | Lock Washer |
| 37 | 29216 | 1 | Lock Nut, 10-32 |
| 38 | 29642 | 1 | Retaining Ring |
| 60A | 650781 | 1 | Screw, 5-16/18 x 11/16" |
| 60B | 650867 | 1 | Screw, 10-24 x 1/2" |
| 60C | 650737 | 1 | Screw, 1/4-20 x 1/2" |
| 92 | 650666 | 1 | Lock Washer |
| 93 | 650594 | 1 | Flywheel Nut |
| 110A | 36917 | 1 | Ground Wire (Solenoid) |
| 178 | 650928 | 2 | Lock Nut, 1/4-20 |
| 182 | 650925A | 2 | Carburetor Mounting Stud |
| 184 | 36352 | 1 | * Carburetor To Intake Pipe Gasket |
| 185 | 36852 | 1 | Intake Pipe |
| 186 | 36354 | 1 | Governor Link |
| 200 | 36233 | 1 | Control Bracket (Incl. 203,204,212A) |
| 203 | 36482 | 1 | Compression Spring |
| 204 | 650777 | 1 | Screw, 6-32 x 21/32" |
| 209 | 650902 | 2 | Screw, 10-32 x 7/16" |
| 210 | 27793 | 2 | Conduit Clip |
| 211 | 28942 | 2 | Screw, 10-32 x 3/8" |
| 212A | 36288 | 3 | Bushing |
| 223 | 650975 | 2 | Screw, Torx T-30, 5/16-18 x 1-9/32" |
| 224 | 36490 | 1 | * Intake Pipe Gasket |
| 228 | 650977 | 2 | Air Cleaner Stud |
| 234 | 650825 | 2 | Nut & Lock Washer, 1/4-20 |
| 239 | 36358 | 1 | * Air Cleaner Gasket |
| 240 | 36355 | 1 | Air Cleaner Body (Incl. 228 & 239) |
| 245 | 36356 | 1 | Air Cleaner Filter (Incl. 234) |
| 245A | 36357 | 1 | Air Cleaner Filter |
| 250 | 36359 | 1 | Air Cleaner Cover |
| 251 | 650886 | 2 | Wing Nut, 1/4-20 |
| 252 | 650976 | 1 | Screw, 1/4-20 x 19/32" |
| 260 | 36347 | 1 | Blower Housing |
| 262 | 650737 | 3 | Screw, 1/4-20 x 1/2" |
| 263 | 36367 | 1 | Trim Ring |
| 286 | 36343 | 1 | Cup & Screen |
| 291 | 30705 | 1 | Fuel Line |
| 292 | 26460 | 2 | Fuel Line Clamp |
| 296 | 34279B | 1 | Fuel Filter |
| 326 | 36210 | 1 | Screen Plug |
| 347 | 650949 | 3 | Screw, 10-32 x 9/16" |
| 348 | 36383 | 1 | Choke Bracket |
| 370G | 35274 | 1 | Oil Instruction Decal |
| 370A | 36261 | 1 | Identification Decal |
| 380 | 640034 | 1 | Carburetor (Incl. 184 & 212A) |
| 394A | 650982 | 1 | Washer |
| 406A | 36918 | 1 | Solenoid Spring |
| 406 | 611221 | 1 | Fuel Shut-Off Solenoid |