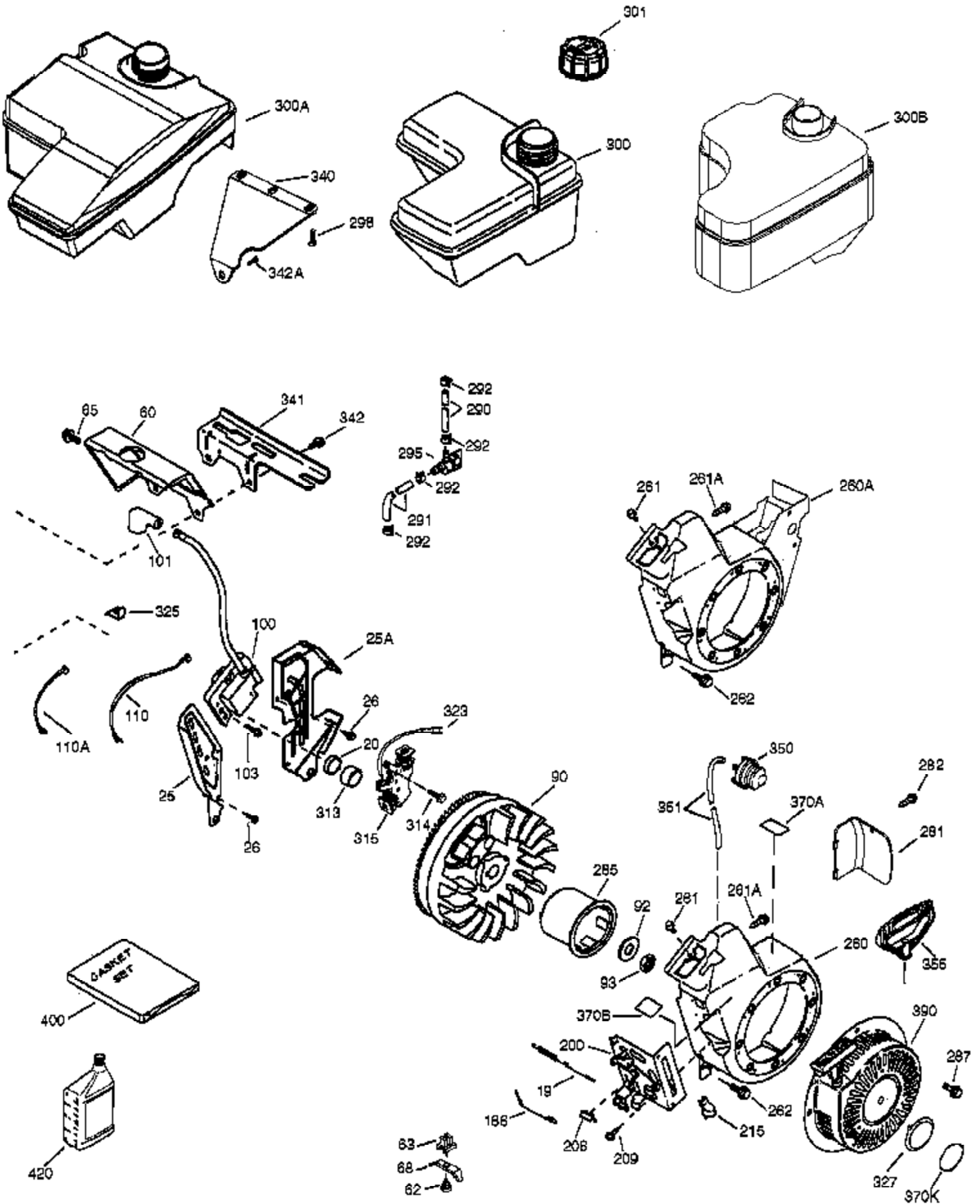


Ref #	Part Number	Qty	Description
	1 37120A	1	Cylinder (Incl. 2, 20 & 72)
	2 26727	2	Dowel Pin
	4 31857	1	Oil Drain Extension
	5 30969	1	Extension Cap
	14 651052	1	Washer
	15 37108	1	Governor Rod
	16 37110	1	Governor Lever
	30 35975	1	Crankshaft
	35 651053	1	Screw, Torx T-25, 10-32 x 63/64"
	37 29216	1	Lock Nut, 10-32
	38 37109	1	Retaining Ring
	40 40004	1	Piston, Pin & Ring Set (Std.)
	40 40005	1	Piston, Pin & Ring Set (.010" OS)
	41 36070	1	Piston & Pin Ass'y (Std.) (Incl. 43)
	41 36071	1	Piston & Pin Ass'y (.010" OS) (Incl. 43)
	42 40006	1	Ring Set (Std.)
	42 40007	1	Ring Set (.010" OS)
	43 20381	2	Piston Pin Retaining Ring
	45 32875A	1	Connecting Rod Ass'y (Incl. 46 & 49)
	46 32610A	2	Connecting Rod Bolt
	48 35616	2	Valve Lifter
	49 36611	1	Oil Dipper
	50 36903	1	Camshaft (Incl. 253 & 254)
	64 651027	1	Screw, 1/4-20 x 27/32"
	69 36624	1	* Cylinder Cover Gasket
	70 36724	1	Cylinder Cover (Incl. 75 thru 83)
	72 27642	2	Oil Drain Plug
	75 27897	1	Oil Seal
	76 30318	1	Camshaft Seal
	80 30574A	1	Governor Shaft
	81 30590A	1	Washer
	82 30591	1	Governor Gear Ass'y (Incl. 81)
	83 36057	1	Governor Spool
	86 650488	8	Screw, 1/4-20 x 1-1/4"
	89 610961	1	Flywheel Key
110B	36874	1	Ground Wire
119	36719	1	* Cylinder Head Gasket
120	36721	1	Cylinder Head
125	36471	1	Exhaust Valve (Std.) (Incl. 151)
125	36472	1	Exhaust Valve (1/32" OS) (Incl. 151)
126	37711	1	Intake Valve (Std.) (Incl. 151)
126	29315C	1	Intake Valve (1/32" OS) (Incl. 151)
130A	650999	1	Screw, 5/16-18 x 2-41/64"
130	650912	4	Screw, 5/16-18 x 1-1/2"
135	34645	1	Resistor Spark Plug (RN4C)
150	37039	2	Valve Spring
151	31673	2	Valve Spring Cap
153	36649	1	Push Rod Guide
154	650913	2	Rocker Arm Stud
155	35624A	2	Rocker Arm
157	650914	2	Nut, 1/4-28
158	36629	2	Push Rod
159	35626	1	* Rocker Arm Cover Gasket
160	36630A	1	Rocker Arm Cover
161	651008	4	Screw, 1/4-20 x 31/64"
161A	651034	1	Stud
161B	651012	2	Stud
173	37676	1	Breather Tube

Ref #	Part Number	Qty	Description
178	650852	2	Nut, 1/4-20
182	650451	2	Screw, 1/4-20 x 1"
183	36867	1	Choke Bracket
184	26756	1	* Carburetor To Intake Pipe Gasket
185	36631	1	Intake Pipe
186B	36652	1	Choke Spring
207	36632	1	Throttle Link
219	36868	1	Choke Rod
220	35438	1	Choke Knob
222	28820	2	Screw, 10-32 x 1/2"
223	650451	2	Screw, 1/4-20 x 1"
224	36581	1	* Intake Pipe Gasket
253	36701	1	Compression Release Weight
254	36702	1	Compression Release Spring
260	36901	1	Blower Housing
275	36722	1	Muffler
277	650988	2	Screw, 1/4-20 x 2-9/32"
279	650852	2	Nut & Lock Washer
280	37069	1	Heat Shield
305	36877	1	Oil Fill Tube
307	35499	1	"O" Ring
308	37079	1	Fill Tube Clip
310	36878	1	Dipstick
328	35062	2	Ignition Key
329	610973	1	Terminal
335	36873	1	Carburetor Cover
338A	28942	1	Screw, 10-32 x 3/8"
338	650821	4	Screw, 10-32 x 1/2"
364	36872	1	Carburetor Cover Bracket
365	650821	2	Screw, 10-32 x 1/2"
370N	36534	1	Instruction Decal
370I	37119	1	Warning Decal
370C	36501	1	Primer Decal
380	640058	1	Carburetor (Incl. 184)
396	33290E		Electric Starter Motor (110 Volt) (Optional)
416	36085	1	Spark Arrestor Kit (Incl. 417) (Optional)
417	650760	1	Screw, 8-32 x 3/8"
600	651013	1	Washer



Ref #	Part Number	Qty	Description
19	37111	1	Extension Spring
20	32600	1	Oil Seal
25	36621	1	Air Baffle (Left)
25A	36869	1	Air Baffle (Right)
26	30200	1	Screw, 10-24 x 9/16"
60	36623A	1	Blower Housing Extension
65	30200	1	Screw, 10-24 x 9/16"
72	27642	2	Oil Drain Plug
90	611216	1	Flywheel
92	650815	1	Belleville Washer
93	650816	1	Flywheel Nut
100	34443B	1	Solid State Ignition
101	610118	1	Spark Plug Cover
103	651007	2	Screw, Torx T-15, 10-24 x 15/16"
110	36230	1	Ground Wire
186	36711	1	Governor Link
200	36824A	1	Control Bracket (Incl. 206)
206	610973	1	Terminal
209	650821	2	Screw, 10-32 x 1/2"
215	32410	1	Control Knob
260	36901	1	Blower Housing
261	651008	1	Screw, 1/4-20 x 31/64"
261A	650821	1	Screw, 10-32 x 1/2"
262	651008	2	Screw, 1/4-20 x 31/64"
281	36907	1	Starter Bubble Cover
282	651035	1	Screw, 6-32 x 25/64"
285	35985B	1	Starter Cup
287	651008	4	Screw, 1/4-20 x 31/64"
290	30705	1	Fuel Line
291	29774	1	Fuel Line
292	26460	4	Fuel Line Clamp
295	35857	1	Fuel Shut-Off Valve
300	37048	1	Fuel Tank (Incl. 292 & 301)
301	35355	1	Fuel Cap
313	34080	1	Spacer
314	650873	1	Screw, 1/4-20 x 3/4"
315	611111	1	Alternator Coil (18 Watt) (Incl. 323)
323	611118	1	Terminal
325	29443	1	Wire Clip
338A	28942	1	Screw, 10-32 x 3/8"
341	36644	1	Fuel Tank Bracket
342	651010	2	Screw, 1/4-20 x 7/8"
350	570682A	1	Primer Assembly
351	32180C	1	Primer Line
355	590574	1	Starter Handle (Mitten Grip)
370A	36261	1	Identification Decal
370K	36695	1	Starter Decal
370B	36899	1	Speed Control Decal
390	590749	1	Rewind Starter (NOTE: This engine could have been built with 590733 starter.)
400	36720	1	* Gasket Set (Incl. items marked PK in notes) Incl. (1) each of 26756, 27272A, 29673, 35626, 36581, 36624, 36719
420	730226	1	SAE 5W30 4-Cycle Engine Oil (Quart)