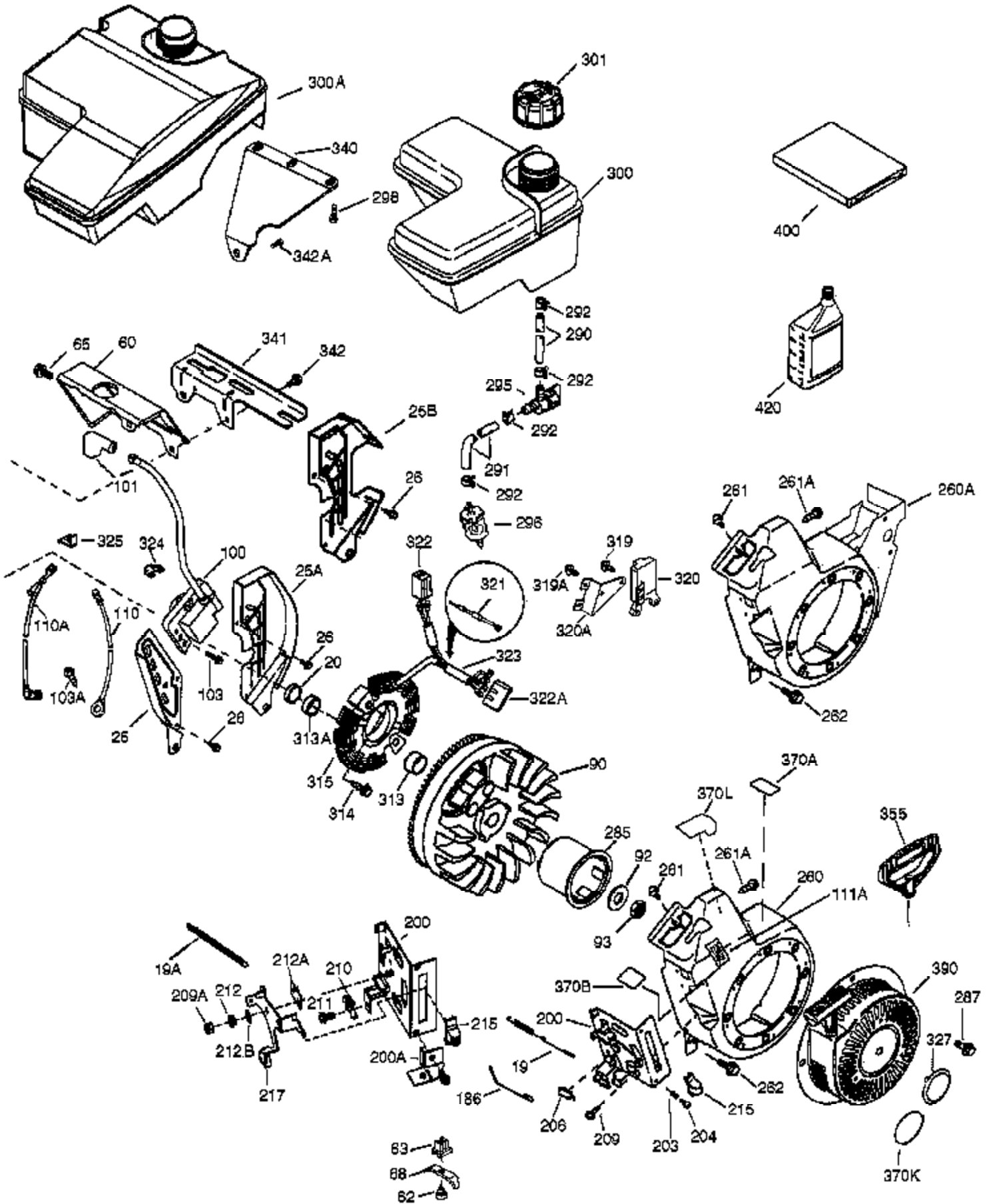


Engine Parts List #1

Ref #	Part Number	Qty	Description
	1 36866	1	Cylinder (Incl. 2, 20, 72 & 72A)
	2 26727	2	Dowel Pin
	14 28277	1	Washer
	15 30589	1	Governor Rod
	16 36618	1	Governor Lever
	17 36700	1	Governor Lever Clamp
	18 651028	1	Screw, Torx T-15, 8-32 x 3/8"
	23 36732	1	Ball Bearing
	27 36733	1	Bearing Retainer
	30 36844	1	Crankshaft
	35 29826	1	Screw, 10-32 x 3/4"
	36 29918	1	Lock Washer
	37 29216	1	Lock Nut, 10-32
	38 29642	1	Retaining Ring
	40 40004	1	Piston, Pin & Ring Set (Std.)
	40 40005	1	Piston, Pin & Ring Set (.010" OS)
	41 36070	1	Piston & Pin Ass'y (Std.) (Incl. 43)
	41 36071	1	Piston & Pin Ass'y (.010" OS) (Incl. 43)
	42 40006	1	Ring Set (Std.)
	42 40007	1	Ring Set (.010" OS)
	43 20381	2	Piston Pin Retaining Ring
	45 32875A	1	Connecting Rod Ass'y (Incl. 46 & 49)
	46 32610A	2	Connecting Rod Bolt
	48 35616	2	Valve Lifter
	49 36611	1	Oil Dipper
	50 36620	1	Camshaft (Incl. 253 & 254)
	64 651015	1	Screw, 1/4-20 x 1-1/8"
	69 36624	1	* Cylinder Cover Gasket
	70 36731	1	Cylinder Cover (Incl. 75 thru 83 & 31 1)
	72A 28582	1	Oil Drain Plug
	72 27642	2	Oil Drain Plug
	74A 28537	2	Washer
	74 30200	2	Screw, 10-24 x 9/16"
	75 36742	1	Oil Seal
	80 30574A	1	Governor Shaft
	81 30590A	1	Washer
	82 30591	1	Governor Gear Ass'y (Incl. 81)
	83 36057	1	Governor Spool
	86 650488	8	Screw, 1/4-20 x 1-1/4"
	89 610961	1	Flywheel Key
	119 36719	1	* Cylinder Head Gasket
	120 36721	1	Cylinder Head
	125 36471	1	Exhaust Valve (Std.) (Incl. 151)
	125 36472	1	Exhaust Valve (1/32" OS) (Incl. 151)
	126 37711	1	Intake Valve (Std.) (Incl. 151)
	126 29315C	1	Intake Valve (1/32" OS) (Incl. 151)
	130 650912	4	Screw, 5/16-18 x 1-1/2"
	130A 650999	1	Screw, 5/16-18 x 2-41/64"
	135 34645	1	Resistor Spark Plug (RN4C)
	150 31672	2	Valve Spring
	151 31673	2	Valve Spring Cap
	153 36649	1	Push Rod Guide
	154 650913	2	Rocker Arm Stud
	155 35624A	2	Rocker Arm
	157 650914	2	Nut, 1/4-28
	158 36629	2	Push Rod
	159 35626	1	* Rocker Arm Cover Gasket
	160 36630A	1	Rocker Arm Cover

Ref #	Part Number	Qty	Description
161A	651012	2	Stud
161	651008	2	Screw, 1/4-20 x 31/64"
173	36675A	1	Breather Tube
178	650852	2	Nut, 1/4-20
182	650451	2	Screw, 1/4-20 x 1"
184	26756	1	* Carburetor To Intake Pipe Gasket
185	36631	1	Intake Pipe
207	36632	1	Throttle Link
223	650451	2	Screw, 1/4-20 x 1"
224	36581	1	* Intake Pipe Gasket
238	28820	2	Screw, 10-32 x 1/2"
239	27272A	1	* Air Cleaner Gasket
240	36633	1	Air Cleaner Body (Incl. 239)
245A	36634	1	Air Cleaner Filter (Poly)
245	36046	1	Air Cleaner Filter
250	36635A	1	Air Cleaner Cover
251	650886	1	Wing Nut
252	650821	1	Screw, 10-32 x 1/2"
253	36701	1	Compression Release Weight
254	36702	1	Compression Release Spring
275	36722	1	Muffler
277	650988	2	Screw, 1/4-20 x 2-9/32"
278	36674	1	Spacer
279	650852	2	Nut & Lock Washer
280	36893	1	Heat Shield
305	35554	1	Oil Fill Tube
307	35499	1	"O" Ring
308	36651	1	Fill Tube Clip
309	651011	1	Screw, 10-32 x 5/16"
310	36902	1	Dipstick
311	27625	2	Oil Fill Plug
361	650738	3	Screw, 1/4-20 x 5/8"
380	640025A	1	Carburetor (Incl. 184)
395	33607A	1	Electric Starter Motor (12 Volt)
416	36085	1	Spark Arrestor Kit (Incl. 417) (Optional)
417	650760	1	Screw, 8-32 x 3/8"
600	651013	1	Washer



Ref #	Part Number	Qty	Description
	19 36710	1	Extension Spring
	20 32600	1	Oil Seal
	25A 36869	1	Air Baffle (Right)
	25 36621	1	Air Baffle (Left)
	26 30200	1	Screw, 10-24 x 9/16"
	60 36623	1	Blower Housing Extension
	65 30200	1	Screw, 10-24 x 9/16"
	83 36057	1	Governor Spool
	90 611216	1	Flywheel
	92 650815	1	Belleville Washer
	93 650816	1	Flywheel Nut
	100 34443A	1	Solid State Ignition
	101 610118	1	Spark Plug Cover
	103 651007	2	Screw, Torx T-15, 10-24 x 15/16"
	110 36054	1	Ground Wire
	186 36711	1	Governor Link
	200 36736	1	Control Bracket (Incl. 206 & 209A thr u 217)
	200A 36686	1	Boden Wire Bracket
	206 610973	1	Terminal
	209 650821	1	Screw, 10-32 x 1/2"
	209A 651016	1	Nut, 10-32
	210 27793	1	Conduit Clip
	211 28942	1	Screw, 10-32 x 3/8"
	212A 36685	1	Bearing Plate
	212 30773A	1	Bushing
	212B 651017	1	Washer
	215 36638	1	Control Knob
	217 36684	1	Control Lever Assembly
	260 36994	1	Blower Housing
	261A 650821	2	Screw, 10-32 x 1/2"
	261 651008	1	Screw, 1/4-20 x 31/64"
	262 651008	2	Screw, 1/4-20 x 31/64"
	285 35985B	1	Starter Cup
	287 651008	4	Screw, 1/4-20 x 31/64"
	290 30705	1	Fuel Line
	292 26460	2	Fuel Line Clamp
	300 36863	1	Fuel Tank (Incl. 292 & 301)
	301 35355	1	Fuel Cap
	313A 35189	1	Spacer
	313 34080	1	Spacer
	314 650873	2	Screw, 1/4-20 x 3/4"
	315 611113	1	Alternator Coil (3 Amp DC) (Incl. 321 - 323)
	321 611161	1	Diode
	322 610921	1	Connector Body
	323 610922	1	Female Terminal
	324 33177	1	Terminal
	325 29443	1	Wire Clip
	341 36644	1	Fuel Tank Bracket
	342 651010	2	Screw, 1/4-20 x 7/8"
	361 650738	3	Screw, 1/4-20 x 5/8"
	370K 36695	1	Starter Decal
	370A 36261	1	Lubrication Decal
	370B 33107	1	Speed Control Decal
	390 590704	1	Rewind Starter (Note: This engine could have been built with 590746 starter.)
	400 36720	1	* Gasket Set (Incl. items marked PK in notes) Incl. (1) each of 26756, 27272A, 29673, 35626, 36581, 36624, 36719

Ref #	Part Number	Qty	Description
420	730225	1	SAE 30 4-Cycle Engine Oil (Quart)