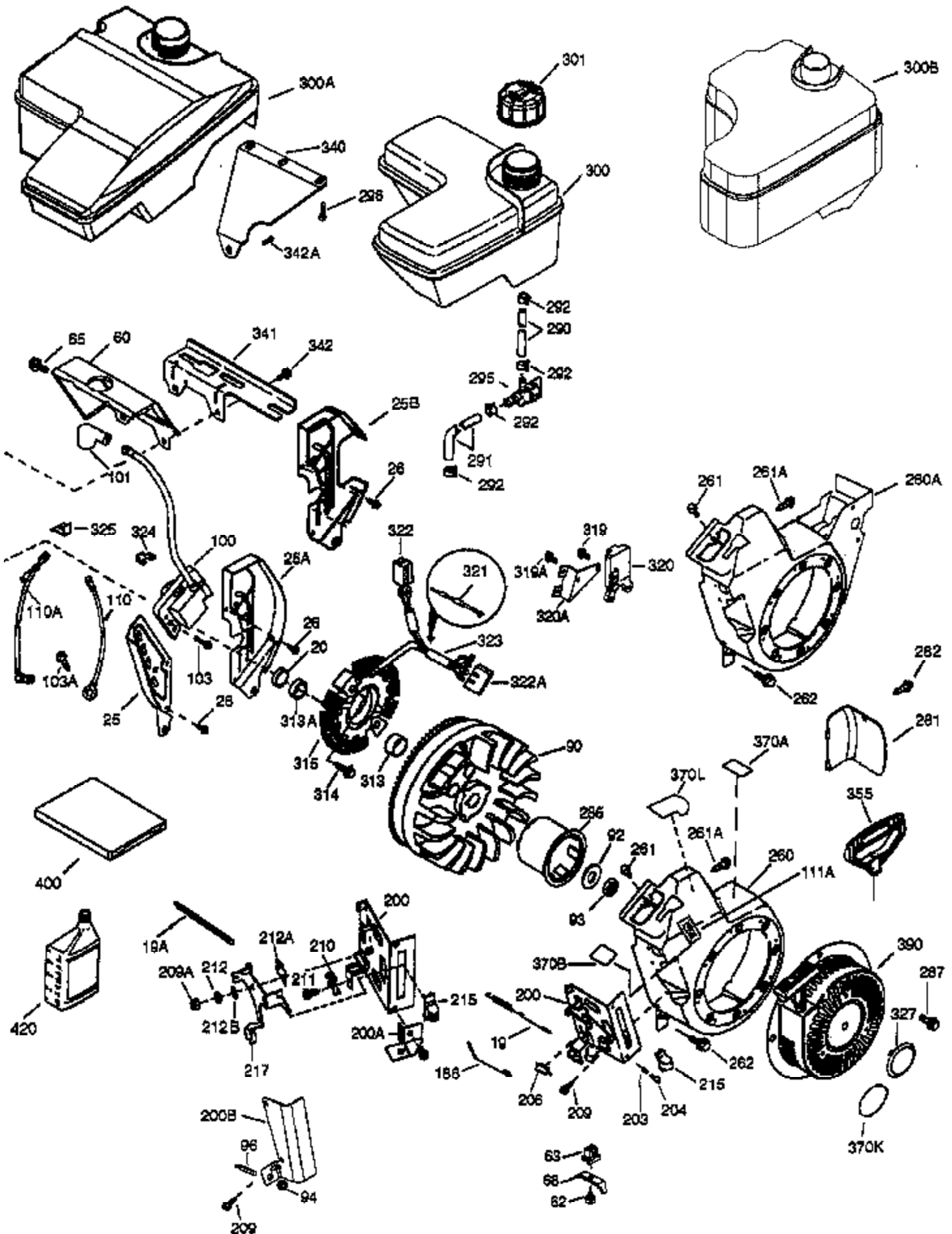


Ref #	Part Number	Qty	Description
	1 37107B	1	Cylinder (Incl. 2, 20, 72)
	2 26727	2	Dowel Pin
	14 651052	1	Washer
	15 37108	1	Governor Rod
	16 37110	1	Governor Lever
	30 36814	1	Crankshaft
	35 651053	1	Screw, Torx T-25, 10-32 x 63/64"
	37 29216	1	Lock Nut
	38 37109	1	Retaining Ring
	40 35544A	1	Piston, Pin & Ring Set (Std.)
	40 35545A	1	Piston, Pin & Ring Set (.010" OS)
	40 35546	1	Piston, Pin & Ring Set (.020" OS)
	41 35541	1	Piston & Pin Ass'y (Std.) (Incl. 43)
	41 35542	1	Piston & Pin Ass'y (.010" OS) (Incl. 43)
	41 35543	1	Piston & Pin Ass'y (.020" OS) (Incl. 43)
	42 35547A	1	Ring Set (Std.)
	42 35548A	1	Ring Set (.010" OS)
	42 35549	1	Ring Set (.020" OS)
	43 20381	2	Piston Pin Retaining Ring
	45 32875A	1	Connecting Rod Ass'y (Incl. 46 & 49)
	46 32610A	2	Connecting Rod Bolt
	48 35616	2	Valve Lifter
	49 36611	1	Oil Dipper
	50 37040	1	Camshaft (Incl. 253 & 254)
	69 36624	1	* Cylinder Cover Gasket
	70 36766	1	Cylinder Cover (Incl. 75 thru 83 & 31 1)
	72 27642	2	Oil Drain Plug
	72A 28582	1	Oil Drain Plug
	75 36742	1	Oil Seal
	80 30574A	1	Governor Shaft
	81 30590A	1	Washer
	82 30591	1	Governor Gear Ass'y (Incl. 81)
	83 36057	1	Governor Spool
	86 650488	8	Screw, 1/4-20 x 1-1/4"
	89 610961	1	Flywheel Key
	119 36738	1	* Cylinder Head Gasket
	120 37455	1	Cylinder Head
	125 36471	1	Exhaust Valve (Std.) (Incl. 151)
	125 36472	1	Exhaust Valve (1/32" OS) (Incl. 151)
	126 37711	1	Intake Valve (Std.) (Incl. 151)
	130 650912	4	Screw, 5/16-18 x 1-1/2"
	130A 650999	1	Screw, 5/16-18 x 2-41/64"
	135 34645	1	Resistor Spark Plug (RN4C)
	150 37039	2	Valve Spring
	151 31673	2	Valve Spring Cap
	151A 40016A	1	Intake Valve Seal
	153 36649	1	Push Rod Guide
	154 650913	2	Rocker Arm Stud
	155 35624A	2	Rocker Arm
	157 650914	2	Nut, 1/4-28
	158 36629	2	Push Rod
	159 35626	1	* Rocker Arm Cover Gasket
	160 36630A	1	Rocker Arm Cover
	161 651008	2	Screw, 1/4-20 x 31/64"
	173 36675	1	Breather Tube
	178 650852	2	Nut, 1/4-20
	182 650451	2	Screw, 1/4-20 x 1"
	184 26756	1	* Carburetor To Intake Pipe Gasket

Ref #	Part Number	Qty	Description
185	36631	1	Intake Pipe
207	36632	1	Throttle Link
211	28942	1	Screw, 10-32 x 3/8"
223	650451	2	Screw, 1/4-20 x 1"
224	36581	1	* Intake Pipe Gasket
238	28820	2	Screw, 10-32 x 1/2"
239	27272A	1	* Air Cleaner Gasket
240	36633A	1	Air Cleaner Body (Incl. 239)
245A	36634	1	Air Cleaner Filter (Poly)
245	36046	1	Air Cleaner Filter
250A	37074	1	Air Cleaner Baffle
250	37073	1	Air Cleaner Cover
251	650886	1	Wing Nut
253	36701	1	Compression Release Weight
254	36702	1	Compression Release Spring
275	36641	1	Muffler
277	650988	2	Screw, 1/4-20 x 2-9/32"
305	35554	1	Oil Fill Tube
308	36651	1	Fill Tube Clip
309	651011	1	Screw, 10-32 x 5/16"
310	36902	1	Dipstick
330	34393	1	Wire Harness
361A	650990	3	Screw, Torx T-30, 1/4-20 x 15/32"
380	640287	1	Carburetor (Incl. 184)
395	33607A	1	Electric Starter Motor (12 Volt)
416	36085	1	Spark Arrestor Kit (Incl. 417) (Optional)
417	650760	1	Screw, 8-32 x 3/8"
600	651013	1	Washer
650	37243	1	Belt (Reverse)



Ref #	Part Number	Qty	Description
19	37111	1	Extension Spring
20	32600	1	Oil Seal
25A	36869	1	Air Baffle (Right)
25	36621	1	Air Baffle (Left)
26	30200	2	Screw, 10-24 x 9/16"
60	36623A	1	Blower Housing Extension
62	650760	1	Screw,
63	28545	1	Grommet
65	30200	1	Screw, 10-24 x 9/16"
65	651031	1	Screw
90	611216	1	Flywheel
92	650815	1	Belleville Washer
93	650816	1	Flywheel Nut
100	34443B	1	Solid State Ignition
101	610118	1	Spark Plug Cover
103	651007	2	Screw, Torx T-15, 10-24 x 15/16"
110	36681	1	Ground Wire
151A	40016A	1	Intake Valve Seal
186	36711	1	Governor Link
200	36736	1	Control Bracket (Incl. 206, 210 & 211 )
206	610973	1	Terminal
209	650821	1	Screw, 10-32 x 1/2"
210	27793	1	Conduit Clip
211	28942	1	Screw, 10-32 x 3/8"
260	37045	1	Blower Housing
261A	650821	2	Screw, 10-32 x 1/2"
261	651008	1	Screw, 1/4-20 x 31/64"
262	651008	2	Screw, 1/4-20 x 31/64"
285	35985B	1	Starter Cup
287	651008	4	1/4-20 x 31/64"
290	29774	1	Fuel Line (1.50")
291	30705	1	Fuel Line (9.50")
292	26460	3	Fuel Line Clamp
292	26460	1	Fuel Line Clamp
295	35857	1	Fuel Shut-Off Valve
300	36863	1	Fuel Tank (Incl. 292 & 301)
301	35355	1	Fuel Cap
313	34080	1	Spacer
313A	35189	1	Spacer
314	650873	2	Screw, 1/4-20 x 3/4"
315	611113	1	Alternator Coil (3 Amp DC) (Incl. 321 - 323)
321	611161	1	Diode
322	610921	1	Connector Body
323	610922	1	Female Terminal
330	34393	1	Wire Harness
341	36644	1	Fuel Tank Bracket
342	651010	2	Screw, 1/4-20 x 7/8"
355	590701	1	Starter Handle
370A	36261	1	Identification Decal
370K	36695	1	Starter Decal
390	590746	1	Rewind Starter (NOTE: This engine could have been built with 590704 starter.)
400	36716A	1	* Gasket Set (Incl. items marked PK in notes) Incl. (1) each of 26756, 27272A, 29673, 35626, 36581, 36624, 36715
420	730225	1	SAE 30 4-Cycle Engine Oil (Quart)
650	37243	1	Belt (Reverse)