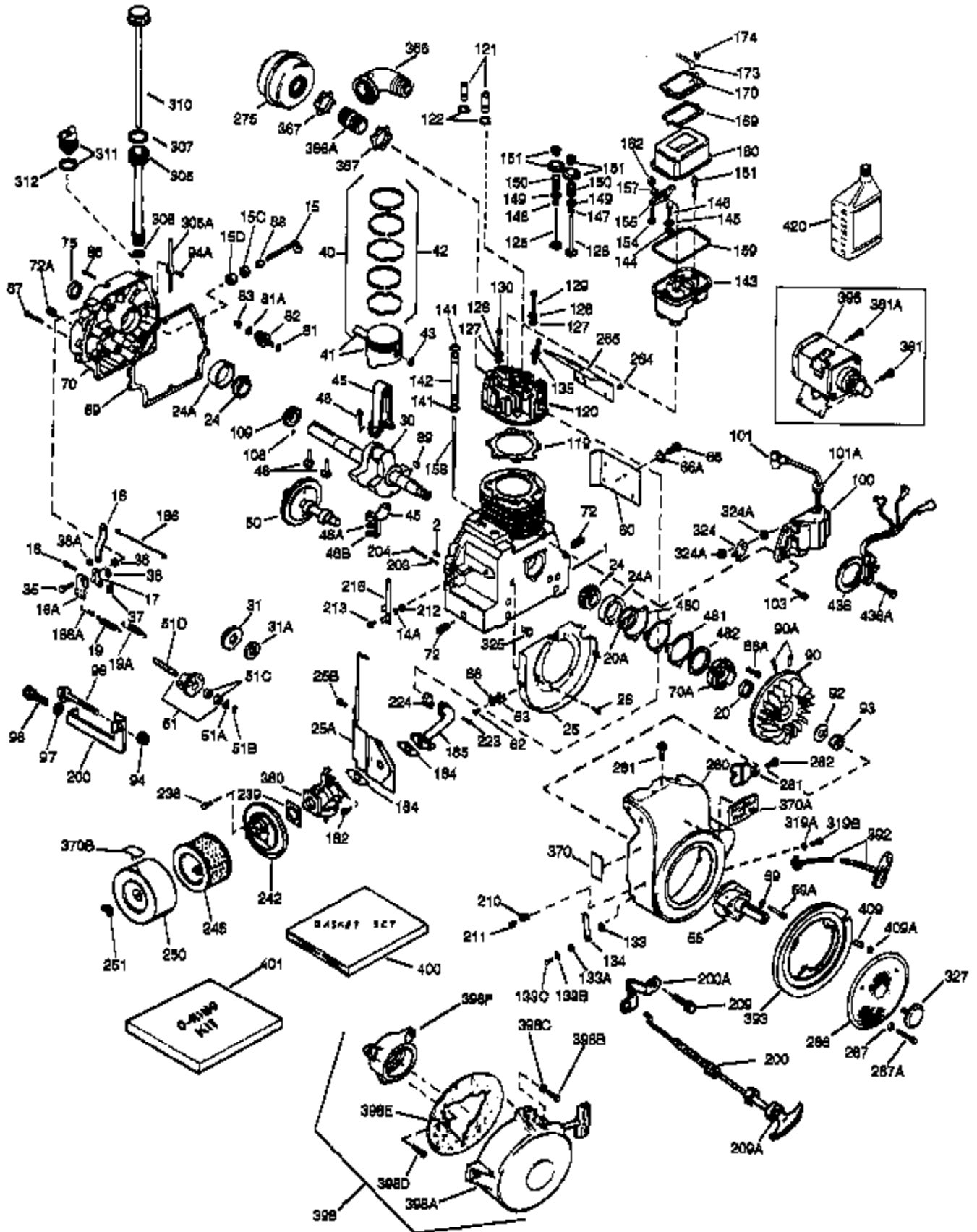


(Page 1 of 2)

IMAGE FILE: ENOH160.2



Engine Parts List #1

| Ref # | Part Number | Qty | Description |
|-------|-------------|-----|---|
| 1 | 34648A | 1 | Cylinder (Incl. 2,20 & 72) |
| 2 | 27652 | 2 | Dowel Pin |
| 14A | 28558 | 1 | Washer |
| 15 | 32425 | 1 | Governor Rod |
| 16A | 31965 | 1 | Governor Spring Plate |
| 16 | 31963 | 1 | Governor Lever |
| 17 | 31964 | 1 | Governor Lever Clamp |
| 18 | 650544 | 1 | Screw, Torx T-25, 10-24 x 7/8" |
| 19 | 31967 | 1 | Extension Spring |
| 20 | 31950 | 1 | * Oil Seal |
| 20A | 32599 | 1 | * "O" Ring |
| 24A | 31928 | 2 | Bearing Cup |
| 24 | 31932 | 2 | Tapered Roller Bearing |
| 25A | 34285 | 1 | Air Baffle |
| 25B | 651031 | 1 | Screw, 1/4-20 x 9/16" |
| 25 | 32579 | 1 | Blower Housing Baffle |
| 26 | 650561 | 3 | Screw, 1/4-20 x 5/8" |
| 30 | 34169A | 1 | Crankshaft |
| 35 | 30312 | 1 | Screw, 10-32 x 1/2" |
| 37 | 7975 | 1 | Lock Nut, 10-24 |
| 38 | 29193 | 1 | Retaining Ring |
| 38A | 650518 | 1 | Washer |
| 40 | 34624 | 1 | Piston, Pin & Ring Set (Std.) |
| 40 | 34625 | 1 | Piston, Pin & Ring Set (.010" OS) |
| 40 | 34626 | 1 | Piston, Pin & Ring Set (.020" OS) |
| 41 | 34629 | 1 | Piston & Pin Ass'y (Std.) (Incl. 43) |
| 41 | 34630 | 1 | Piston & Pin Ass'y (.010" OS) (Incl. 43) |
| 41 | 34631 | 1 | Piston & Pin Ass'y (.020" OS) (Incl. 43) |
| 42 | 34635 | 1 | Ring Set (Std.) |
| 42 | 34636 | 1 | Ring Set (.010" OS) |
| 42 | 34637 | 1 | Ring Set (.020" OS) |
| 43 | 34634 | 2 | Piston Pin Retaining Ring |
| 45 | 34640 | 1 | Connecting Rod Ass'y (Incl.46 - 46B) |
| 45 | 35243 | 1 | Connecting Rod Ass'y (.010" US)(Incl. 46-46B) |
| 45 | 35244 | 1 | Connecting Rod Ass'y (.020" US)(Incl. 46-46B) |
| 46A | 26073 | 2 | Washer |
| 46 | 32077 | 2 | Connecting Rod Bolt |
| 46B | 28264 | 2 | Nut |
| 48 | 33472 | 2 | Valve Lifter |
| 50 | 34752 | 1 | Camshaft (MCR) |
| 69 | 31956B | 1 | * Cylinder Cover Gasket |
| 70A | 32577 | 1 | Cylinder Cover (See Ref. #'s 480-482) |
| 70 | 32580A | 1 | Cylinder Cover (Incl. 15,38,72,75,88) |
| 72A | 28534 | 2 | Oil Drain Plug |
| 72 | 31927 | 2 | Oil Drain Plug |
| 75 | 31950 | 1 | Oil Seal |
| 81A | 650745 | 1 | Washer |
| 81 | 30590A | 1 | Washer |
| 82 | 34751 | 1 | Governor Gear Ass'y |
| 83 | 35322 | 1 | Governor Spool |
| 86A | 792028 | 3 | Screw, 5/16-18 x 7/8" |
| 86 | 650588 | 1 | Screw, 1/4-20 x 2" |
| 87 | 650451 | 8 | Screw, 1/4-20 x 1" |
| 88 | 32426 | 1 | Spacer |
| 89 | 650592 | 1 | Flywheel Key |
| 90 | 610909 | 1 | Flywheel (Incl. 90A) |
| 90A | 730201 | 1 | Trigger Pin Kit |
| 92 | 650666 | 1 | Washer |

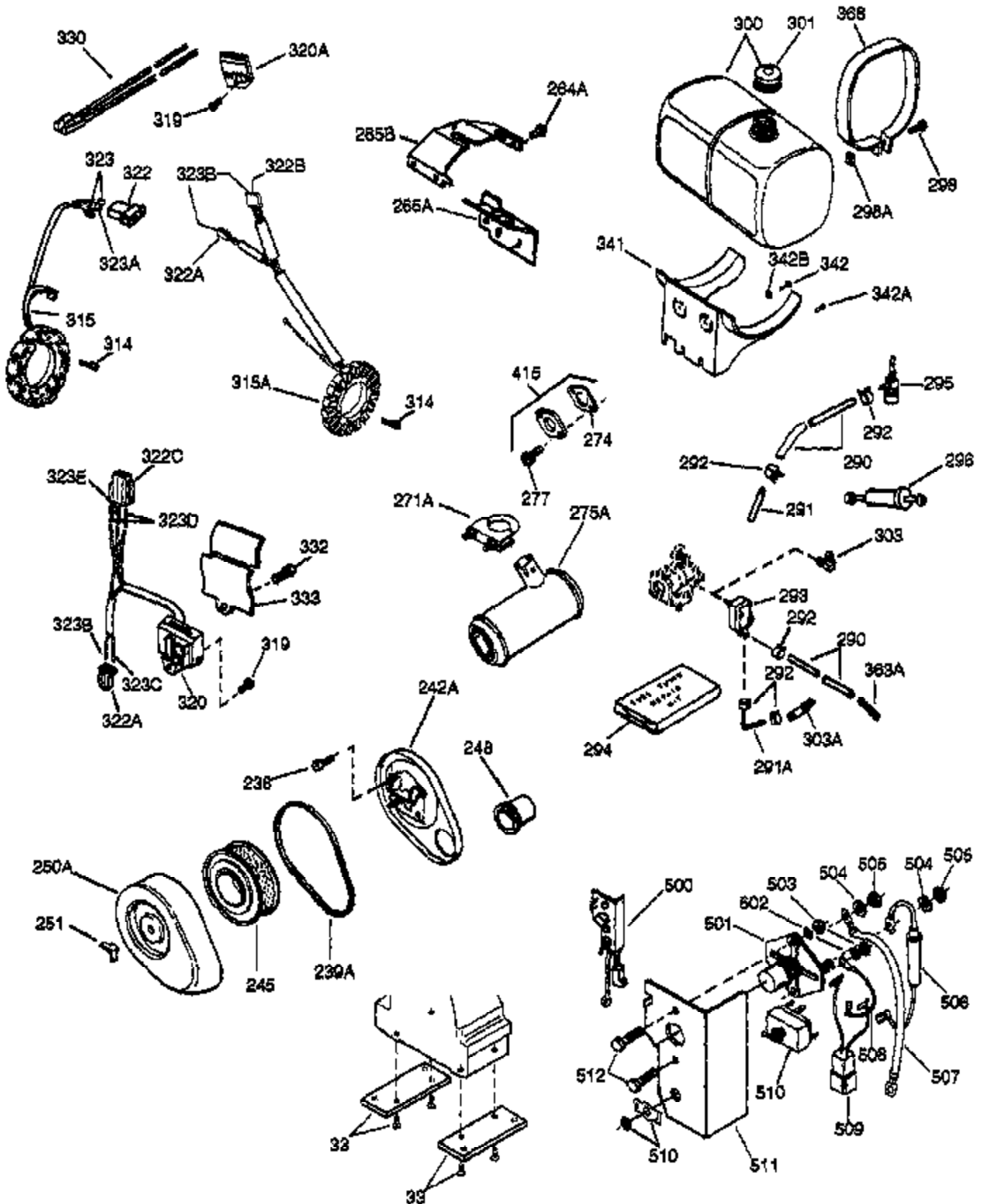
| Ref # | Part Number | Qty | Description |
|-------|-------------|-----|--|
| | 93 650594 | 1 | Flywheel Nut |
| | 100 610906 | 1 | Solid State Ignition |
| | 101A 610750 | 1 | Grommet |
| | 101 610118 | 1 | Spark Plug Cover |
| | 103 650661 | 2 | Screw, 1/4-20 x 3/4" |
| | 108 29783 | 1 | Crankshaft Pin |
| | 109 34692 | 1 | Crankshaft Gear |
| | 119 34641A | 1 | * Cylinder Head Gasket |
| | 120 34771 | 1 | Cylinder Head |
| | 121 730218 | 2 | Valve Guide Kit (Incl. 2 of 122) |
| | 122 792035 | 2 | Retaining Ring |
| | 125 33506 | 1 | Exhaust Valve (Std.) (Incl. 151) |
| | 125 33646 | 1 | Exhaust Valve (1/32" OS) (Incl. 151) |
| | 126 34643 | 1 | Intake Valve (Std.) (Incl. 151) |
| | 126 34644 | 1 | Intake Valve (1/32" OS) (Incl. 151) |
| | 127 650691 | 6 | Washer |
| | 128 650690 | 6 | Belleville Washer |
| | 129 650692 | 4 | Screw, 5/16-18 x 1-3/4" |
| | 130 650746 | 2 | Screw, 5/16-18 x 1-3/8" |
| | 133C 650595 | 1 | Screw 5/16-24 x 3/8" |
| | 133B 8274 | 1 | Lock Washer |
| | 135 34645 | 1 | Resistor Spark Plug (RN4C) |
| | 141 33481 | 4 | * "O" Ring (Also Incl. in 401) |
| | 142 35475 | 2 | Push Rod Tube |
| | 143 34754 | 1 | Rocker Arm Housing |
| | 144 33484 | 3 | * "O" Ring (Also Incl. in 401) |
| | 145 650168 | 3 | Washer |
| | 146 32610A | 3 | Screw, 1/4-20 x 29/32" |
| | 147 33509 | 1 | * "O" Ring (Also Incl. in 401) |
| | 148 34410 | 1 | * "O" Ring (Also Incl. in 401) |
| | 149 33510 | 2 | Valve Spring Cap |
| | 150 33507 | 2 | Valve Spring |
| | 151 33508 | 2 | Valve Spring Keeper |
| | 154 650756 | 2 | Rocker Arm Stud |
| | 155 33485 | 1 | Rocker Arm |
| | 157 33486 | 2 | Retaining Ring |
| | 158 33471 | 2 | Push Rod |
| | 159 33487 | 1 | * "O" Ring (Also Incl. in 401) |
| | 160 33488 | 1 | Rocker Arm Housing |
| | 161 650755 | 1 | Screw, 1/4-20 x 3/4" |
| | 162 650864 | 1 | Nut, 1/4-20 |
| | 169 31958A | 1 | * Valve Cover Gasket (Also Incl. in 401) |
| | 170 33489 | 1 | Breather Body |
| | 173 33490 | 1 | Breather Tube |
| | 174 30102 | 2 | * Screw, 10-32 x 5/8" (Also Incl. in 40 1) |
| | 182 651049 | 2 | Screw, Torx T-30, 5/16-18 x 1-3/32" |
| | 184 33476A | 2 | * Carburetor To Intake Pipe Gasket |
| | 185 33475 | 1 | Intake Pipe |
| | 186 33478 | 1 | Governor Link |
| | 200A 34404 | 1 | Control Bracket |
| | 200 34403 | 1 | Speed Control Ass'y |
| | 203 33099 | 1 | Compression Spring |
| | 204 650591 | 1 | Screw, 10-24 x 2" |
| | 209A 650641 | 1 | Hex Nut, 9/16-18 |
| | 209 650561 | 1 | Screw, 1/4-20 x 19/32" |
| | 212 31966 | 1 | Bushing |
| | 213 650597 | 1 | Screw, 10-24 x 5/8" |
| | 216 31984A | 1 | R.P.M. Adjusting Lever |

Engine Parts List #1

| Ref # | Part Number | Qty | Description |
|-------|-------------|-----|--|
| 223 | 650971 | 2 | Screw, Torx T-30, 5/16-18 x 7/8" |
| 224 | 33515A | 1 | * Intake Pipe Gasket |
| 238 | 650399 | 4 | Screw, 10-32 x 5/8" |
| 239 | 35471 | 1 | * Air Cleaner Gasket |
| 242 | 35473 | 1 | Air Cleaner Bracket |
| 245 | 32008 | 1 | Air Cleaner Element |
| 250 | 34193 | 1 | Air Cleaner Cover |
| 251 | 650513 | 1 | Wing Nut, 1/4-20 |
| 260 | 34195B | 1 | Blower Housing |
| 261 | 650752 | 1 | Screw, 1/4-20 x 7/16" |
| 262 | 650751 | 1 | Screw, 1/4-20 x 7/16" |
| 264 | 650736 | 2 | Screw, 10-16 x 3/8" |
| 275 | 35731 | 1 | Muffler |
| 286 | 33776 | 1 | Starter Screen |
| 287A | 650680 | 1 | Screw, 1/4-20 x 1-1/2" |
| 287 | 27070 | 1 | Lock Washer |
| 305 | 32352 | 1 | Oil Fill Tube |
| 306 | 29673 | 1 | "O" Ring |
| 306 | 29985 | 1 | * "O" Ring |
| 310 | 33068 | 1 | Dipstick |
| 319A | 650595 | 1 | Screw, 5/16-24 x 3/8" |
| 324 | 610908 | 1 | Terminal |
| 324A | 610408 | 2 | Nut, 8-32 |
| 342B | 650787 | 2 | Washer |
| 361 | 650781 | 2 | Screw, 5/16-18 x 11/16" |
| 361A | 650797 | 1 | Screw, 5/16-18 x 1/2" |
| 366A | 32143 | 1 | Exhaust Pipe Nipple |
| 367 | 650590 | 1 | Lock Nut |
| 370 | 36261 | 1 | Lubrication Decal |
| 370B | 35274 | 1 | Caution Decal |
| 370A | 35532 | 1 | Name Decal |
| 380 | 632456A | 1 | Carburetor (Incl. 184) |
| 392 | 32046 | 1 | Starter Rope |
| 393 | 31980 | 1 | Starter Rope Pulley |
| 395 | 33835 | 1 | Electric Starter Motor (12 Volt) |
| 400 | 33516F | 1 | * Gasket Set (Incl. items marked PK in notes) Incl. part #'s 29673 (1), 30102 (2), 31950 (2), 31956B (1), 31958A (1), 31971 (2), 31972 (1), 32031 (1), 32599 (1), 33476A (2), 33481 (4), 33484 (3), 33487 (1), 33509 (1), 33515A (1), 34225A (1), 34302A (1), 34410 (1), 34641A (1), 35471 (1) |
| 401 | 35075A | 1 | * "O" Ring Set (Also Incl. in 400) 30102 (2), 31958A (1), 33481(4), 33484 (3), 33487 (1), 33509 (1) 34410 (1) |
| 409 | 31992 | 1 | Spacer |
| 420 | 730225 | 1 | SAE 30 4-Cycle Engine Oil (Quart) |
| 480 | 31971 | 2 | * Shim Gasket (.004/.005) (See Repair Manual) |
| 481 | 31972 | 1 | * Shim Gasket (.005/.007) (See Repair Manual) |
| 482 | 32031 | 1 | * Steel Spacer (.010) (See Repair Manual) |

(Page 2 of 2)

IMAGE FILE: ENOH160.2



| Ref # | Part Number | Qty | Description |
|-------|-------------|-----|--|
| 144 | 33484 | 3 | * "O" Ring (Also Incl. in 401) |
| 238 | 650399 | 4 | Screw, 10-32 x 5/8" |
| 239A | 34197 | 1 | Air Cleaner Gasket |
| 245 | 32008 | 1 | Air Cleaner Element |
| 248 | 34194A | 1 | Air Cleaner Tube |
| 251 | 650513 | 1 | Wing Nut, 1/4-20 |
| 262 | 650751 | 1 | Screw, 1/4-20 x 7/16" |
| 264A | 650128 | 2 | Screw, 10-24 x 1/2" |
| 265B | 34284 | 1 | Cylinder Head Cover |
| 265A | 34283 | 1 | Cylinder Head Cover |
| 271A | 35732 | 1 | Muffler Clamp |
| 290 | 29774 | 1 | Fuel Line |
| 291A | 29774 | 1 | Fuel Line (6.00") |
| 291 | 30962 | 1 | Fuel Line |
| 292 | 26460 | 4 | Fuel Line Clamp |
| 293 | 35807 | 1 | Fuel Pump (Incl. 294) |
| 294 | 35791 | 1 | Pulse Pump Repair Kit |
| 295 | 29683 | 1 | Fuel Shut-Off Valve |
| 298A | 650456 | 2 | Lock Nut, 1/4-20 |
| 298 | 650488 | 2 | Screw, 1/4-20 x 1-1/4" |
| 300 | 33979 | 1 | Fuel Tank (Incl. 301) |
| 301 | 410144B | 1 | Fuel Cap |
| 303 | 29634 | 2 | Fuel Fitting |
| 314 | 650521 | 2 | Screw, 10-32 x 1-1/8" |
| 315 | 611214 | 1 | Alternator Coil (20 Amp)(Incl. 322 - 323) |
| 319 | 8274 | 1 | Lock Washer |
| 319 | 651026 | 1 | Screw, 1/4-20 x 1/2" |
| 320 | 611215 | 1 | Regulator (20 Amp) |
| 322 | 610824 | 1 | Connector Body |
| 322A | 610921 | 1 | Connector Body |
| 323 | 610922 | 5 | Terminal |
| 341 | 33978 | 1 | Fuel Tank Bracket |
| 342A | 650785 | 2 | Screw, 5/16-18 x 5/8" |
| 342B | 650787 | 2 | Washer |
| 342 | 650786 | 2 | Screw, 1/4-20 x 5/8" |
| 366A | 32143 | 1 | Exhaust Pipe Nipple |
| 368 | 33980 | 2 | Fuel Tank Strap |
| 500 | 730198 | 1 | Electric Starter Switch Kit (Incl. 50 1 - 512) |
| 501 | 34616 | 1 | Starter Switch |
| 502 | 27513 | 2 | Lock Washer |
| 503 | 650864 | 2 | Nut |
| 504 | 8274 | 1 | Lock Washer |
| 505 | 650586 | 1 | Nut |
| 506 | 34620 | 1 | Wire & Fuse |
| 507 | 34618 | 1 | Starter Wire |
| 508 | 34619 | 1 | Ground Wire |
| 509 | 34617 | | Adapter Cord |
| 510 | 34615 | 1 | Toggle Switch |
| 511 | 34614 | 1 | Starter Button Bracket |
| 512 | 792026 | 2 | Screw, 1/4-20 x 7/8" |