

Engine Parts List #1

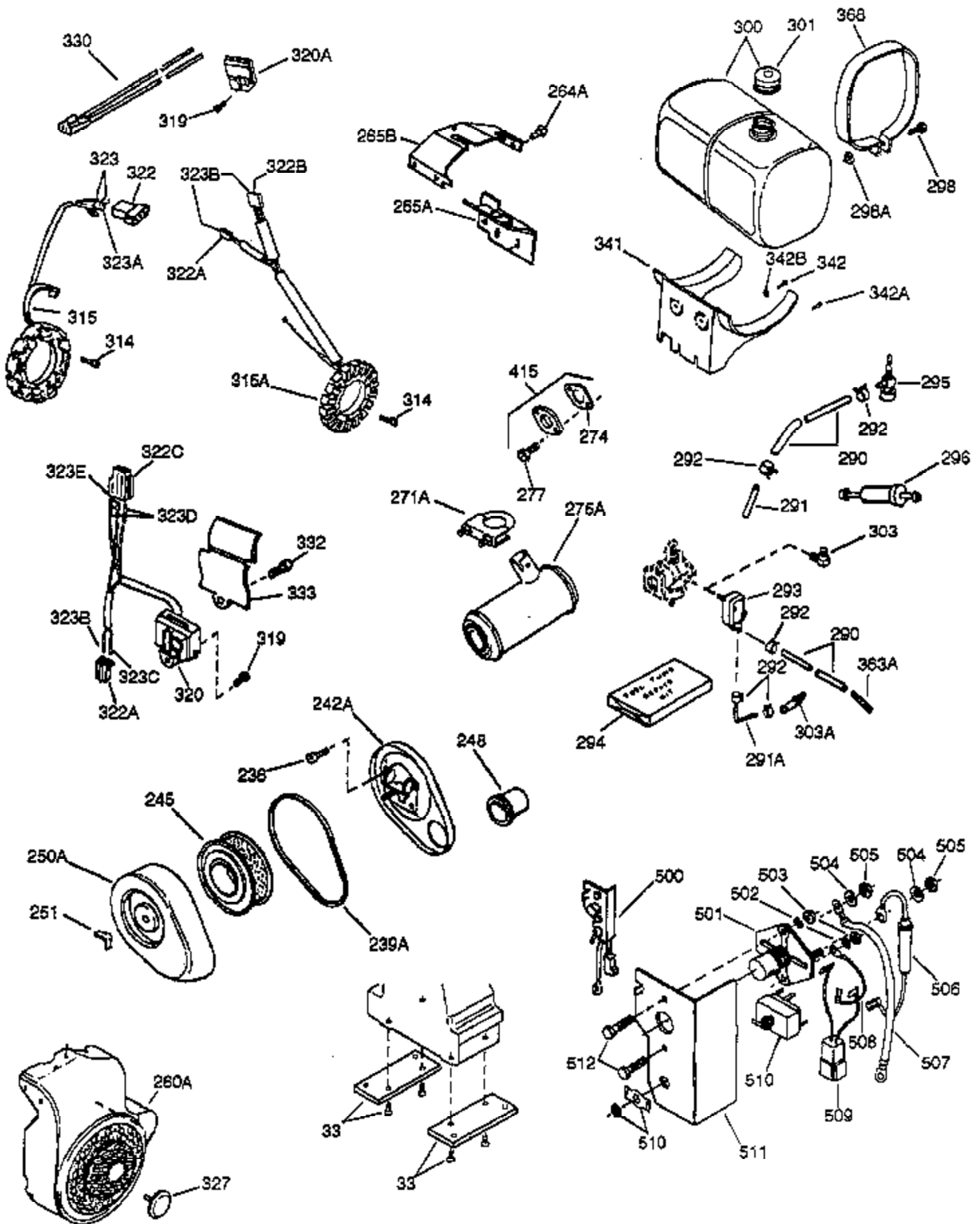
Ref #	Part Number	Qty	Description
1	34648A	1	Cylinder (Incl. 2, 20 & 72)
2	27652	2	Dowel Pin
14A	28558	1	Washer
15D	34223	1	Needle Bearing
15	32425	1	Governor Rod
15C	34222	1	Needle Bearing
16B	31965	1	Governor Spring Plate
16	31963	1	Governor Lever
17	31964	1	Governor Lever Clamp
18	650544	1	Screw, Torx T-25, 10-24 x 7/8"
19	31967	1	Extension Spring
20	31950	1	* Oil Seal
20A	32599	1	* "O" Ring
24	31932	2	Tapered Roller Bearing
24A	31928	2	Bearing Cup
25	32579	1	Blower Housing Baffle
25B	651031	1	Screw, 1/4-20 x 5/8"
25A	33477A	1	Air Baffle
26	650561	3	Screw, 1/4-20 x 5/8"
30	34402A	1	Crankshaft
35	30312	1	Screw, 10-32 x 1/2"
36	8345	1	Flat Washer
37	7975	1	Lock Nut, 10-24
38A	650518	1	Washer
38	29193	1	Retaining Ring
40	34624	1	Piston, Pin & Ring Set (Std.)
40	34625	1	Piston, Pin & Ring Set (.010" OS)
40	34626	1	Piston, Pin & Ring Set (.020" OS)
41	34629	1	Piston & Pin Ass'y (Std.) (Incl. 43)
41	34630	1	Piston & Pin Ass'y (.010" OS) (Incl. 43)
41	34631	1	Piston & Pin Ass'y (.020" OS) (Incl. 43)
42	34635	1	Ring Set (Std.)
42	34636	1	Ring Set (.010" OS)
42	34637	1	Ring Set (.020" OS)
43	34634	2	Piston Pin Retaining Ring
45	34640	1	Connecting Rod Ass'y (Incl.46 - 46B)
45	35243	1	Connecting Rod Ass'y (.010" US)(Incl. 46-46B)
45	35244	1	Connecting Rod Ass'y (.020" US)(Incl. 46-46B)
46B	28264	2	Nut
46A	26073	2	Washer
46	32077	2	Connecting Rod Bolt
48	33472	2	Valve Lifter
50	34752	1	Camshaft (MCR)
60	33479	1	Air Baffle
69	31956B	1	* Cylinder Cover Gasket
70A	32577	1	Cylinder Cover (See Ref. #'s 480-482)
70	34221	1	Cylinder Cover (Incl. 15,15C,15D,36,3 8,75,88)
72A	28534	1	Oil Drain Plug
72	31927	2	Oil Drain Plug
75	31950	1	Oil Seal
81	35479A	1	Washer
81A	650745	1	Washer
82	34751	1	Governor Gear Ass'y
83	35322	1	Governor Spool
86	650588	1	Screw 1/4-20 x 2"
86A	792028	3	Screw, 5/16-18 x 7/8"
87	650451	8	Screw 1/4-20 x 1"
88	32426	1	Spacer

Engine Parts List #1

Ref #	Part Number	Qty	Description
	89 650592	1	Flywheel Key
	90 610909	1	Flywheel (Incl. 90A)
	90A 730201	1	Trigger Pin Kit
	92 650666	1	Washer
	93 650594	1	Flywheel Nut
	100 610906	1	Solid State Ignition
	101A 610750	1	Grommet
	101 610118	1	Spark Plug Cover
	103 650661	2	Screw, 1/4-20 x 3/4"
	108 29783	1	Crankshaft Pin
	109 34692	1	Crankshaft Gear
	119 34641A	1	* Cylinder Head Gasket
	120 34771	1	Cylinder Head
	121 730218	2	Valve Guide Kit (Incl. 2 of 122)
	122 792035	2	Retaining Ring
	125 33646	1	Exhaust Valve (1/32" OS) (Incl. 151)
	125 33506	1	Exhaust Valve (Std.) (Incl. 151)
	126 34643	1	Intake Valve (Std.) (Incl. 151)
	126 34644	1	Intake Valve (1/32" OS) (Incl. 151)
	127 650691	6	Washer
	128 650690	6	Belleville Washer
	129 650692	4	Screw, 5/16-18 x 1-3/4"
	130 650746	2	Screw, 5/16-18 x 1-3/8"
	133C 650595	1	Screw 5/16-24 x 3/8"
	133B 8274	1	Lock Washer
	135 34645	1	Resistor Spark Plug (N4C)
	141 33481	4	* "O" Ring (Also Incl. in 401)
	142 35475	2	Push Rod Tube
	143 34754	1	Rocker Arm Housing
	144 33484	3	* "O" Ring (Also Incl. in 401)
	145 650168	3	Washer
	146 32610A	3	Screw, 1/4-20 x 29/32"
	147 33509	1	* "O" Ring (Also Incl. in 401)
	148 34410	1	* "O" Ring (Also Incl. in 401)
	149 33510	2	Valve Spring Cap
	150 33507	2	Valve Spring
	151 33508	2	Valve Spring Keeper
	154 650756	2	Rocker Arm Stud
	155 33485	1	Rocker Arm
	157 33486	2	Retaining Ring
	158 33471	2	Push Rod
	159 33487	1	* "O" Ring (Also Incl. in 401)
	160 33488	1	Rocker Arm Housing
	161 650755	1	Screw, 1/4-20 x 3/4"
	162 650864	1	Nut, 1/4-20
	169 31958A	1	* Valve Cover Gasket (Also Incl. in 401)
	170 33489	1	Breather Body
	173 33490	1	Breather Tube
	174 30102	2	* Screw, 10-32 x 5/8" (Also Incl. in 40 1)
	182 651049	2	Screw, Torx T-30, 5/16-18 x 1-3/32"
	184 33476A	2	* Carburetor To Intake Pipe Gasket
	185 33475	1	Intake Pipe
	186 33478	1	Governor Link
	203 33099	1	Compression Spring
	204 650591	1	Screw, 10-24 x 2"
	212 31966	1	Bushing
	213 650597	1	Screw, 10-24 x 5/8"
	216 31984A	1	R.P.M. Adjusting Lever

Engine Parts List #1

Ref #	Part Number	Qty	Description
223	650971	2	Screw, Torx T-30, 5/16-18 x 7/8"
224	33515A	1	* Intake Pipe Gasket
238	650399	4	Screw, 10-32 x 5/8"
239	35471	1	* Air Cleaner Gasket
242	35472	1	Air Cleaner Bracket
245	32008	1	Air Cleaner Element
250	32810	1	Air Cleaner Cover
251	650513	1	Wing Nut, 1/4-20
260	34314B	1	Blower Housing
261	650752	1	Screw, 1/4-20 x 7/16"
261A	650751	1	Screw, 1/4-20 x 7/16"
264	650650	2	Screw 10-16 x 3/8"
265	33495	1	Cylinder Head Cover
275	35731	1	Muffler
286	33776	1	Starter Screen
287A	650680	3	Screw, 1/4-20 x 1-1/2"
287	27070	3	Washer
305	35574	1	Oil Fill Tube
307	35499	1	"O" Ring
310	35599	1	Oil Dipstick
319B	650595	1	Screw, 5/16-24 x 3/8"
319A	8274	1	Lock Washer
324A	610408	2	Nut, 8-32
324	610908	1	Terminal
355	590701	1	Starter Handle
361A	650797	1	Screw, 5/16-18 x 1/2"
361	650781	2	Screw, 5/16-18 x 11/16"
366A	32143	1	Muffler Nipple
367	650590	1	Nut
370B	35274	1	Instruction Decal
370A	35532	1	Name Decal
370	36261	1	Instruction Decal
380	632477	1	Carburetor (Incl. 184)
392	32046	1	Starter Rope
393	31980	1	Starter Rope Pulley
395	33835	1	Electric Starter Motor (12 Volt)
400	33516F	1	* Gasket Set (Incl. items marked PK in notes) Incl. part #'s 29673 (1), 30 102 (2), 31950 (2), 31956B (1), 31958A (1), 31971 (2), 31972 (1), 32031 (1), 32599 (1), 33476A (2), 33481 (4), 33484 (3), 33487 (1), 33509 (1), 335 15A (1), 34225A (1), 34302A (1), 34410 (1), 34641A (1), 35471 (1)
401	35075A	1	* "O" Ring Set (Also Incl. in 400) 30102 (2), 31958A (1), 33481(4), 33484 (3), 33487 (1), 33509 (1) 34410 (1)
409	31992	3	Spacer
420	730225	1	SAE 30 4-Cycle Engine Oil (Quart)
480	31971	2	* Shim Gasket (.004/.005) (See Repair Manual)
481	31972	1	* Shim Gasket (.005/.007) (See Repair Manual)
482	32031	1	* Steel Spacer (.010) (See Repair Manual)



Ref #	Part Number	Qty	Description
16B	31965	1	Governor Spring Plate
238	650399	4	Screw, 10-32 x 5/8"
245	32008	1	Air Cleaner Element
251	650513	1	Wing Nut, 1/4-20
261A	650751	1	Screw, 1/4-20 x 7/16"
271A	35732	1	Muffler Clamp
290	29774	1	Fuel Line
291A	29774	1	Fuel Line (6.00")
291	30962	1	Fuel Line (21.00")
292	26460	4	Fuel Line Clamp
293	35807	1	Pulse Pump
294	35791	1	Fuel Pump Repair Kit
295	29683	1	Fuel Shut-off Valve
298A	650456	2	Lock Nut, 1/4-20
298	650488	2	Screw, 1/4-20 x 1-1/4"
300	33979	1	Fuel Tank (Incl. 301)
303	29634	2	Fuel Fitting
314	650521	2	Screw, 10-32 x 1-1/8"
315	611214	1	Alternator Coil (20 Amp)(Incl. 322 32 2 & 323)
319	651026	1	Screw 1/4-20 x 1/2"
320	611215	1	Regulator (20 Amp)
322	610824	1	Connector Body
323A	610922	2	Terminal
323	610921	1	Connector Body
330	34393	1	Alternator Cord
341	33978	1	Fuel Tank Bracket
342	650786	2	Screw, 1/4-20 x 5/8"
342B	650787	2	Washer
342A	650785	2	Screw, 5/16-18 x 5/8"
355	590701	1	Starter Handle
368	33980	1	Fuel Tank Strap
500	730198	1	Electric Starter Switch Kit (Incl. 50 1 - 512)
501	34616	1	Starter Switch
502	27513	2	Lock Washer
503	650864	2	Hex Nut
504	8274	2	Lock Washer
505	650586	2	Jam Nut
506	34620	1	Wire & Fuse
507	34618	1	Starter Wire
508	34619	1	Ground Wire
509	34617	1	Adapter Cord
510	34615	1	Toggle Switch
511	34614	1	Starter Button Bracket
512	792026	2	Screw