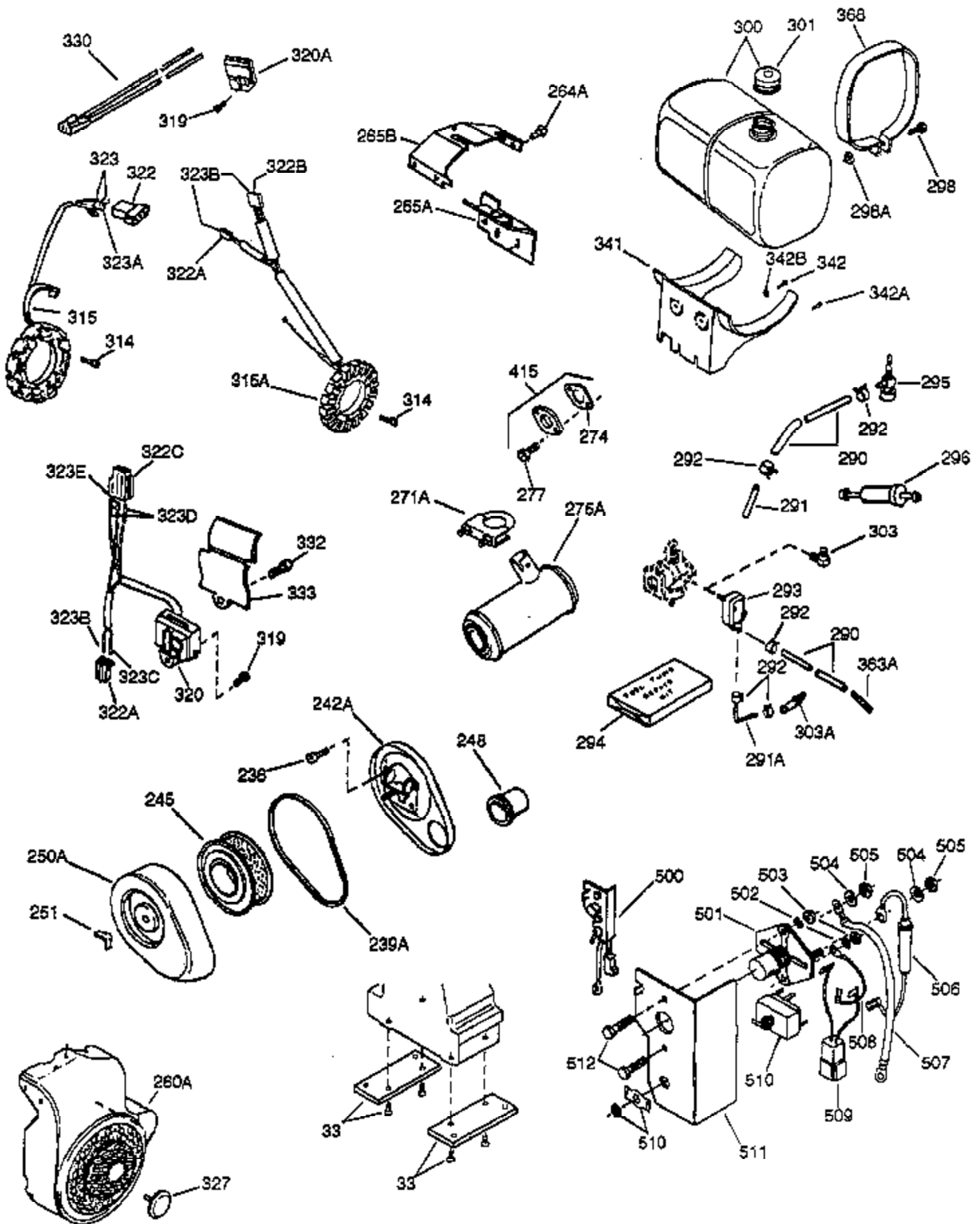


## Engine Parts List #1

| Ref # | Part Number | Qty | Description                                   |
|-------|-------------|-----|---|
|       | 1 34648A    | 1   | Cylinder (Incl. 2, 20, 72 & 72A)              |
|       | 2 27652     | 2   | Dowel Pin                                     |
|       | 14A 28558   | 1   | Washer  |
|       | 15 32425    | 1   | Governor Rod                                  |
|       | 16B 31965   | 1   | Governor Spring Plate                         |
|       | 16 31963    | 1   | Governor Lever                                |
|       | 17 31964    | 1   | Governor Lever Clamp                          |
|       | 18 650544   | 1   | Screw, Torx T-25, 10-24 x 7/8"                |
|       | 19 31967    | 1   | Extension Spring                              |
|       | 20 31950    | 1   | * Oil Seal                                    |
|       | 20A 32599   | 1   | * "O" Ring                                    |
|       | 24A 31928   | 2   | Bearing Cup                                   |
|       | 24 31932    | 2   | Tapered Roller Bearing                        |
|       | 25 32579    | 1   | Blower Housing Baffle                         |
|       | 25B 651031  | 1   | Screw, 1/4-20 x 5/8"                          |
|       | 25A 33477A  | 1   | Air Baffle                                    |
|       | 26 650561   | 3   | Screw, 1/4-20 x 5/8"                          |
|       | 30 33393A   | 1   | Crankshaft                                    |
|       | 35 30312    | 1   | Screw, 10-32 x 1/2"                           |
|       | 37 7975     | 1   | Lock Nut, 10-24                               |
|       | 38 29193    | 1   | Retaining Ring                                |
|       | 38A 650518  | 1   | Washer  |
|       | 40 34624    | 1   | Piston, Pin & Ring Set (Std.)                 |
|       | 40 34625    | 1   | Piston, Pin & Ring Set (.010" OS)             |
|       | 40 34626    | 1   | Piston, Pin & Ring Set (.020" OS)             |
|       | 41 34629    | 1   | Piston & Pin Ass'y (Std.) (Incl. 43)          |
|       | 41 34630    | 1   | Piston & Pin Ass'y (.010" OS) (Incl. 43)      |
|       | 41 34631    | 1   | Piston & Pin Ass'y (.020" OS) (Incl. 43)      |
|       | 42 34635    | 1   | Ring Set (Std.)                               |
|       | 42 34636    | 1   | Ring Set (.010" OS)                           |
|       | 42 34637    | 1   | Ring Set (.020" OS)                           |
|       | 43 34634    | 2   | Piston Pin Retaining Ring                     |
|       | 45 34640    | 1   | Connecting Rod Ass'y (Incl.46 - 46B)          |
|       | 45 35243    | 1   | Connecting Rod Ass'y (.010" US)(Incl. 46-46B) |
|       | 45 35244    | 1   | Connecting Rod Ass'y (.020" US)(Incl. 46-46B) |
|       | 46A 26073   | 2   | Washer  |
|       | 46 32077    | 2   | Connecting Rod Bolt                           |
|       | 46B 28264   | 2   | Nut   |
|       | 48 33472    | 2   | Valve Lifter                                  |
|       | 50 34752    | 1   | Camshaft (MCR)                                |
|       | 60 33479    | 1   | Blower Housing Extension                      |
|       | 69 31956B   | 1   | * Cylinder Cover Gasket                       |
|       | 70A 32577   | 1   | Cylinder Cover (See Ref. #'s 480-482)         |
|       | 70 32685    | 1   | Cylinder Cover (Incl. 15,38,72,75,88)         |
|       | 72 31927    | 2   | Oil Drain Plug                                |
|       | 72A 28534   | 1   | Oil Drain Plug                                |
|       | 75 31950    | 1   | Oil Seal                                      |
|       | 81 30590A   | 1   | Washer  |
|       | 81A 650745  | 1   | Washer  |
|       | 82 34751    | 1   | Governor Gear Ass'y                           |
|       | 83 35322    | 1   | Governor Spool                                |
|       | 86 650588   | 1   | Screw, 1/4-20 x 2"                            |
|       | 86A 792028  | 3   | Screw, 5/16-18 x 7/8"                         |
|       | 87 650451   | 8   | Screw, 1/4-20 x 1"                            |
|       | 88 32426    | 1   | Spacer  |
|       | 89 650592   | 1   | Flywheel Key                                  |
|       | 90A 730201  | 1   | Trigger Pin Kit                               |
|       | 90 610909   | 1   | Flywheel (Incl. 90A)                          |

| Ref # | Part Number | Qty | Description                                |
|-------|-------------|-----|--|
| 92    | 650666      | 1   | Washer                                     |
| 93    | 650594      | 1   | Flywheel Nut                               |
| 100   | 610906      | 1   | Solid State Ignition                       |
| 101A  | 610750      | 1   | Grommet                                    |
| 101   | 610118      | 1   | Spark Plug Cover                           |
| 103   | 650661      | 2   | Screw, 1/4-20 x 3/4"                       |
| 108   | 29783       | 1   | Crankshaft Pin                             |
| 109   | 34692       | 1   | Crankshaft Gear                            |
| 119   | 34641A      | 1   | * Cylinder Head Gasket                     |
| 120   | 34771       | 1   | Cylinder Head                              |
| 121   | 730218      | 2   | Valve Guide Kit (Incl. 2 of 122)           |
| 122   | 792035      | 2   | Retaining Ring                             |
| 125   | 33506       | 1   | Exhaust Valve (Std.) (Incl. 151)           |
| 125   | 33646       | 1   | Exhaust Valve (1/32" OS) (Incl. 151)       |
| 126   | 34643       | 1   | Intake Valve (Std.) (Incl. 151)            |
| 126   | 34644       | 1   | Intake Valve (1/32" OS) (Incl. 151)        |
| 127   | 650691      | 6   | Washer                                     |
| 128   | 650690      | 6   | Belleville Washer                          |
| 129   | 650692      | 4   | Screw, 5/16-18 x 1-3/4"                    |
| 130   | 650746      | 2   | Screw, 5/16-18 x 1-3/8"                    |
| 133C  | 650595      | 1   | Screw 5/16-24 x 3/8"                       |
| 133B  | 8274        | 1   | Lock Washer                                |
| 135   | 34645       | 1   | Resistor Spark Plug (RN4C)                 |
| 141   | 33481       | 4   | * "O" Ring (Also Incl. in 401)             |
| 142   | 35475       | 2   | Push Rod Tube                              |
| 143   | 34754       | 1   | Rocker Arm Housing                         |
| 144   | 33484       | 3   | * "O" Ring (Also Incl. in 401)             |
| 145   | 650168      | 3   | Washer                                     |
| 146   | 32610A      | 3   | Screw, 1/4-20 x 29/32"                     |
| 147   | 33509       | 1   | * "O" Ring (Also Incl. in 401)             |
| 148   | 34410       | 1   | * "O" Ring (Also Incl. in 401)             |
| 149   | 33510       | 2   | Valve Spring Cap                           |
| 150   | 33507       | 2   | Valve Spring                               |
| 151   | 33508       | 2   | Valve Spring Keeper                        |
| 154   | 650756      | 2   | Rocker Arm Stud                            |
| 155   | 33485       | 1   | Rocker Arm                                 |
| 157   | 33486       | 2   | Retaining Ring                             |
| 158   | 33471       | 2   | Push Rod                                   |
| 159   | 33487       | 1   | * "O" Ring (Also Incl. in 401)             |
| 160   | 33488       | 1   | Rocker Arm Housing                         |
| 161   | 650755      | 1   | Screw, 1/4-20 x 3/4"                       |
| 162   | 650864      | 1   | Nut, 1/4-20                                |
| 169   | 31958A      | 1   | * Valve Cover Gasket (Also Incl.in 401)    |
| 170   | 33489       | 1   | Breather Body                              |
| 173   | 33490       | 1   | Breather Tube                              |
| 174   | 30102       | 2   | * Screw, 10-32 x 5/8" (Also Incl. in 40 1) |
| 182   | 650378      | 2   | Screw, Torx T-30, 5/16-18 x 1-1/8"         |
| 184   | 33476A      | 2   | * Carburetor To Intake Pipe Gasket         |
| 185   | 33475       | 1   | Intake Pipe                                |
| 186   | 33478       | 1   | Governor Link                              |
| 200   | 34403       | 1   | Speed Control                              |
| 200A  | 34404       | 1   | Control Bracket                            |
| 203   | 33099       | 1   | Compression Spring                         |
| 204   | 650591      | 1   | Screw, 10-24 x 2"                          |
| 209A  | 650641      | 1   | Hex Nut                                    |
| 209   | 650561      | 1   | Screw 1/4-20 x 19/32"                      |
| 212   | 31966       | 1   | Bushing                                    |
| 213   | 650597      | 1   | Screw, 10-24 x 5/8"                        |

| Ref # | Part Number | Qty | Description  |
|-------|-------------|-----|--|
| 216   | 31984A      | 1   | R.P.M. Adjusting Lever   |
| 223   | 650971      | 2   | Screw, Torx T-30, 5/16-18 x 7/8"   |
| 224   | 33515A      | 1   | * Intake Pipe Gasket   |
| 238   | 650399      | 4   | Screw, 10-32 x 5/8"  |
| 239   | 35471       | 1   | * Air Cleaner Gasket   |
| 242   | 35473       | 1   | Air Cleaner Bracket  |
| 245   | 32008       | 1   | Air Cleaner Element  |
| 250   | 34193       | 1   | Air Cleaner Cover  |
| 251   | 650513      | 1   | Wing Nut, 1/4-20   |
| 260   | 34195B      | 1   | Blower Housing   |
| 261A  | 650751      | 1   | Screw, 1/4-20 x 7/16"  |
| 261   | 650752      | 1   | Screw, 1/4-20 x 7/16"  |
| 264   | 650650      | 2   | Screw, 10-16 x 3/8"  |
| 265   | 33495       | 1   | Cylinder Head Cover  |
| 275   | 35731       | 1   | Muffler  |
| 286   | 33776       | 1   | Starter Screen   |
| 287   | 27070       | 3   | Washer   |
| 287A  | 650680      | 3   | Screw, 1/4-20 x 1-1/2"   |
| 298B  | 650456      | 2   | Lock Nut   |
| 305   | 32352       | 1   | Oil Fill Tube  |
| 306   | 29673       | 1   | * "O" Ring   |
| 307   | 29985       | 1   | "O" Ring   |
| 310   | 33068       | 1   | Dipstick   |
| 319A  | 8274        | 1   | Lock Washer  |
| 319B  | 650595      | 1   | Screw, 5/16-24 x 3/8"  |
| 324A  | 610408      | 2   | Nut, 8-32  |
| 324   | 610908      | 1   | Terminal   |
| 339   | 650787      | 2   | Washer   |
| 340   | 33978       | 1   | Fuel Tank Bracket  |
| 355   | 590701      | 1   | Starter Handle   |
| 361   | 650781      | 2   | Screw, 5/16-18 x 11/16"  |
| 361A  | 650797      | 1   | Screw, 5/16-18 x 1/2"  |
| 366A  | 32143       | 1   | Muffler Nipple   |
| 367   | 650590      | 1   | Nut  |
| 370   | 36261       | 1   | Instruction Decal  |
| 370A  | 35532       | 1   | Name Decal   |
| 370G  | 35274       | 1   | Oil Instruction Decal  |
| 380   | 632477      | 1   | Carburetor (Incl. 184)   |
| 392   | 32046       | 1   | Starter Rope   |
| 393   | 31980       | 1   | Starter Rope Pulley  |
| 395   | 33835       | 1   | Electric Starter Motor (12 Volt)   |
| 400   | 33516F      | 1   | * Gasket Set (Incl. items marked PK in notes) Incl. part #'s<br>29673 (1), 30102 (2), 31950 (2), 31956B (1), 31958A (1),<br>31971 (2), 31972 (1), 32031 (1), 32599 (1), 33476A (2),<br>33481 (4), 33484 (3), 33487 (1), 33509 (1), 33515A (1),<br>34225A (1), 34302A (1), 34410 (1), 34641A (1), 35471 (1) |
| 401   | 35075A      | 1   | * "O" Ring Set (Also Incl. in 400) 30102 (2), 31958A (1),<br>33481(4), 33484 (3), 33487 (1), 33509 (1) 34410 (1)   |
| 409   | 31992       | 3   | Spacer   |
| 420   | 730225      | 1   | SAE 30 4-Cycle Engine Oil (Quart)  |
| 480   | 31971       | 2   | * Shim Gasket (.004/.005) (See Repair Manual)  |
| 481   | 31972       | 1   | * Shim Gasket (.005/.007) (See Repair Manual)  |
| 482   | 32031       | 1   | * Steel Spacer (.010) (See Repair Manual)  |



| Ref # | Part Number | Qty | Description                               |
|-------|-------------|-----|---|
| 16B   | 31965       | 1   | Governor Spring Plate                     |
| 238   | 650399      | 4   | Screw, 10-32 x 5/8"                       |
| 239A  | 34197       | 1   | * Air Cleaner Gasket                      |
| 245   | 32008       | 1   | Air Cleaner Element                       |
| 248   | 34194A      | 1   | Air Cleaner Tube                          |
| 251   | 650513      | 1   | Wing Nut, 1/4-20                          |
| 261A  | 650751      | 1   | Screw, 1/4-20 x 7/16"                     |
| 271A  | 35732       | 1   | Muffler Clamp                             |
| 290   | 29774       | 1   | Fuel Line                                 |
| 291   | 30962       | 1   | Fuel Line                                 |
| 291A  | 29774       | 1   | Fuel Line (6.00")                         |
| 292   | 26460       | 42  | Fuel Line Clamp                           |
| 293   | 35807       | 1   | Pulse Pump                                |
| 294   | 35791       | 1   | Pulse Pump Repair Kit                     |
| 295   | 29683       | 1   | Fuel Shut-Off Valve                       |
| 298A  | 650488      | 2   | Screw, 1/4-20 x 1-1/4"                    |
| 298B  | 650456      | 2   | Lock Nut                                  |
| 300   | 33979       | 1   | Fuel Tank                                 |
| 303   | 29634       | 2   | Fuel Fitting                              |
| 314   | 650521      | 2   | Screw, 10-32 x 1-1/8"                     |
| 315   | 611214      | 1   | Alternator Coil (20 Amp)(Incl. 322 - 323) |
| 319   | 651026      | 1   | Screw, 1/4-20 x 1/2"                      |
| 320   | 611215      | 1   | Regulator (20 Amp)                        |
| 322   | 610824      | 1   | Connector Body                            |
| 322A  | 610921      | 1   | Connector Body                            |
| 323   | 610922      | 5   | Terminal                                  |
| 339   | 650787      | 2   | Washer                                    |
| 340   | 33978       | 1   | Fuel Tank Bracket                         |
| 342A  | 650785      | 2   | Screw, 5/16-18 x 5/8"                     |
| 342   | 650786      | 2   | Screw, 1/4-20 x 5/8"                      |
| 355   | 590701      | 1   | Starter Handle                            |
| 368   | 33980       | 2   | Fuel Tank Strap                           |
| 370G  | 35274       | 1   | Oil Instruction Decal                     |
| 500   | 730198      | 1   | Switch Ass'y.                             |
| 501   | 34616       | 1   | Starter Switch                            |
| 502   | 27513       | 2   | Lock Washer                               |
| 503   | 650864      | 2   | Nut, 1/4-20                               |
| 504   | 8274        | 2   | Lock Washer                               |
| 505   | 650586      | 2   | Nut, 5/16-24                              |
| 506   | 34620       | 1   | Wire & Fuse                               |
| 507   | 34618       | 1   | Starter Wire                              |
| 508   | 34619       | 1   | Ground Wire                               |
| 509   | 34617       | 1   | Adapter Cord                              |
| 511   | 34614       | 1   | Starter Button Bracket                    |
| 512   | 792026      | 2   | Screw, 1/4-20 x 7/8"                      |