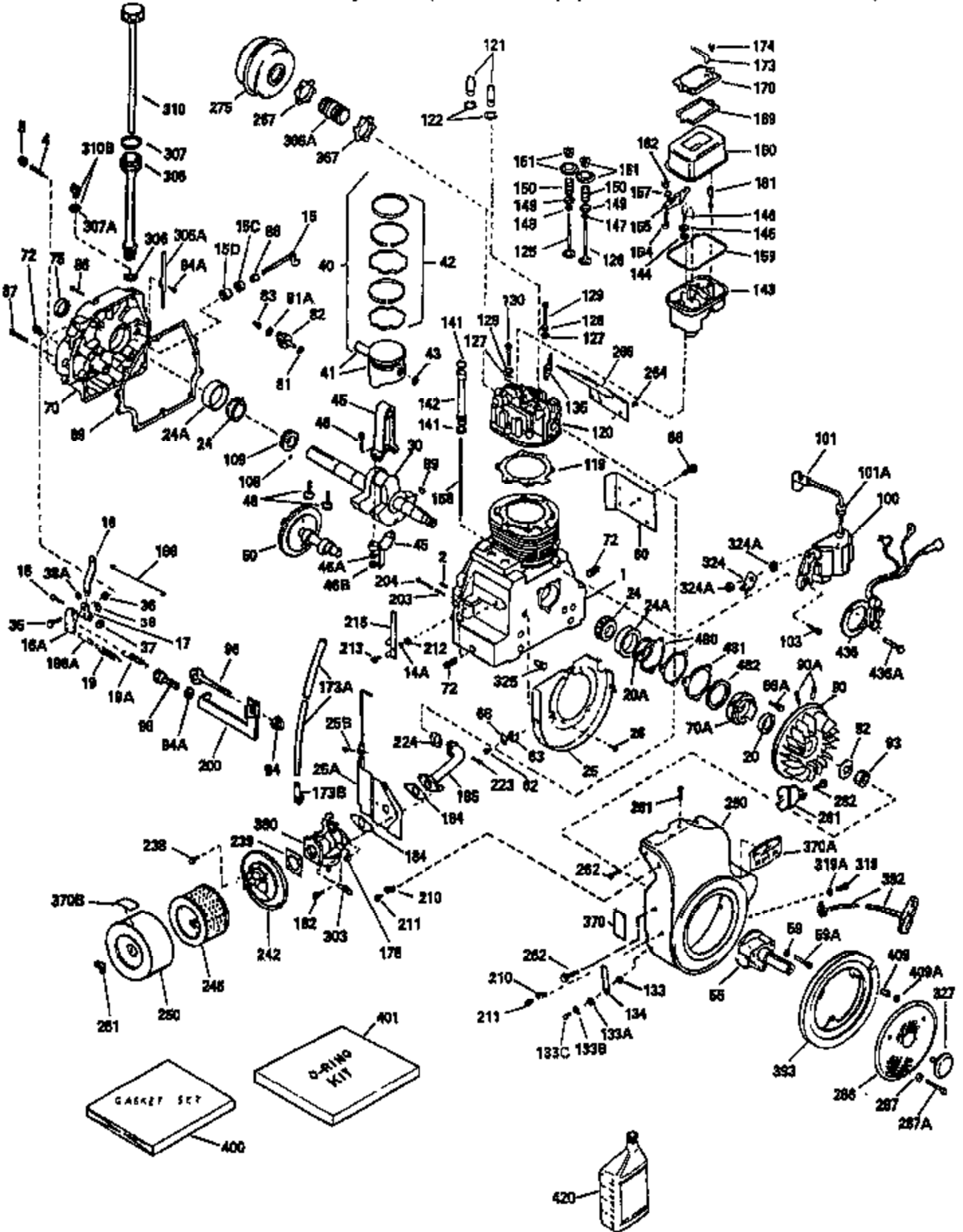


VIEW 1 of 3 ... this illustration may not depict actual equipment and is for reference only!



Engine Parts List #1

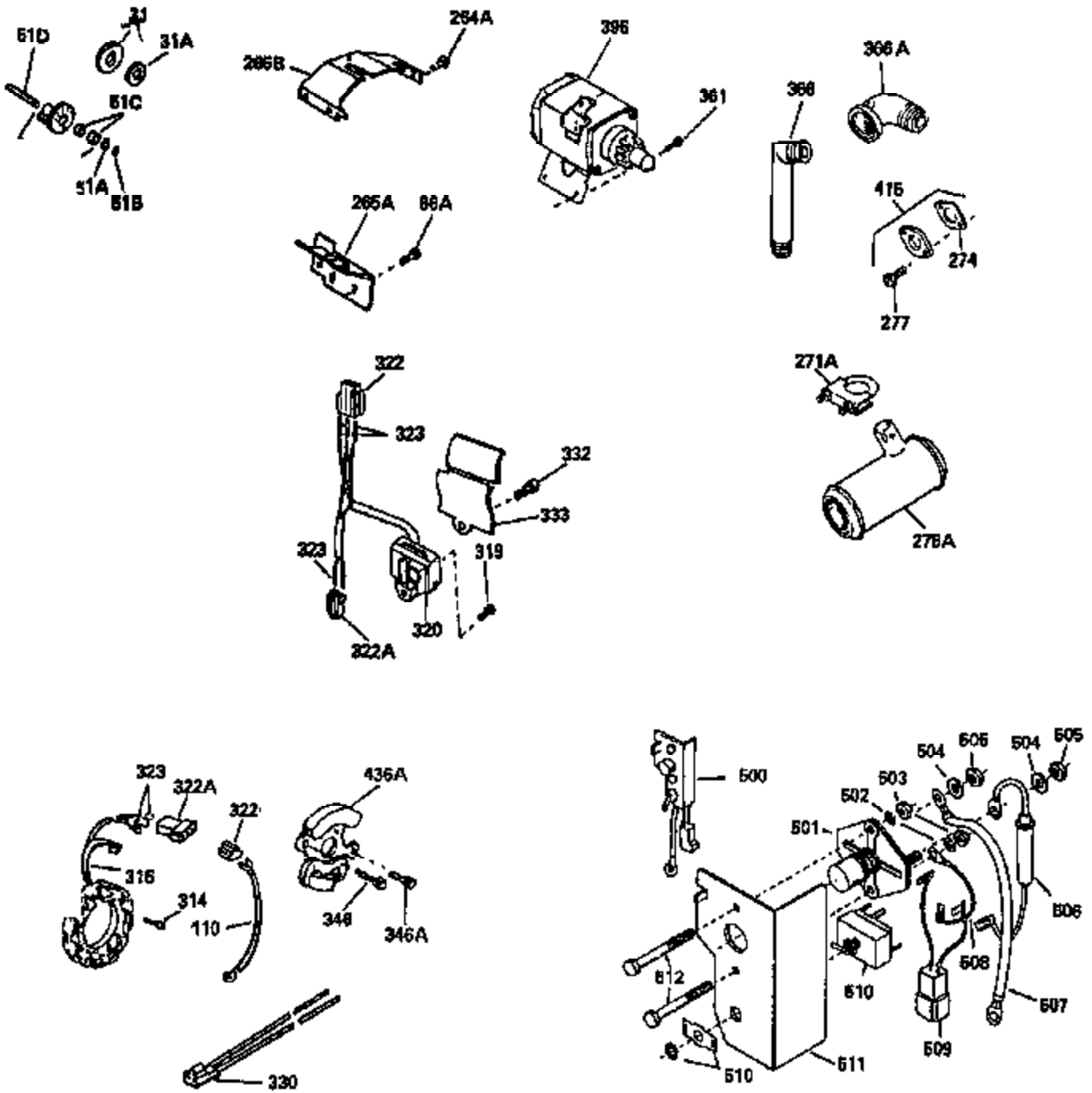
Ref #	Part Number	Qty	Description
	1 34648A	1	Cylinder (Incl. 2, 20, 72 & 72A)
	2 27652	2	Dowel Pin
	15D 34223	1	Needle Bearing
	15 32425	1	Governor Rod
	15C 34222	1	Needle Bearing
	16A 31965	1	Governor Spring Plate
	16 31963	1	Governor Lever
	17 31964	1	Governor Lever Clamp
	18 650544	1	Screw, Torx T-25, 10-24 x 7/8"
	19A 33982	1	Extension Spring
	19 34458	1	Extension Spring
	20A 32599	1	* "O" Ring
	20 31950	1	* Oil Seal
	24 31932	2	Tapered Roller Bearing
	24A 31928	2	Bearing Cup
	25A 33477A	1	Air Baffle
	25B 650738	1	Screw, 1/4-20 x 5/8"
	25 32579	1	Blower Housing Baffle
	26 650561	3	Screw, 1/4-20 x 5/8"
	30 33423B	1	Crankshaft
	35 30312	1	Screw, 10-32 x 1/2"
	36 8345	1	Flat Washer
	37 7975	1	Lock Nut, 10-24
	38A 650518	1	Washer
	38 29193	1	Retaining Ring
	40 34624	1	Piston, Pin & Ring Set (Std.)
	40 34625	1	Piston, Pin & Ring Set (.010" OS)
	40 34626	1	Piston, Pin & Ring Set (.020" OS)
	41 34629	1	Piston & Pin Assy (Std.)(Incl. 43)
	41 34630	1	Piston & Pin Assy (.010" OS)(Incl.43)
	41 34631	1	Piston & Pin Assy (.020" OS)(Incl.43)
	42 34635	1	Ring Set (Std.)
	42 34636	1	Ring Set (.010" OS)
	42 34637	1	Ring Set (.020" OS)
	43 34634	2	Piston Pin Retaining Ring
	45 34640	1	Connecting Rod Ass'y (Incl.46 - 46B)
	45 35243	1	Connecting Rod Assy (.010" US)(Incl. 46-46B)
	45 35244	1	Connecting Rod Assy (.020" US)(Incl. 46-46B)
	46 32077	2	Connecting Rod Bolt
	46A 26073	2	Washer
	46B 28264	2	Nut
	48 33472	2	Valve Lifter
	50 34752	1	Camshaft (MCR)
	60 33479	1	Blower Housing Extension
	69 31956B	1	* Cylinder Cover Gasket
	70 34095	1	Cylinder Cover (Incl. 15,15C,15D,36,3 8,75,88)
	70A 32577	1	Cylinder Cover (See Ref. #'s 480-482)
	72A 28534	1	Oil Drain Plug
	72 31927	2	Oil Drain Plug
	75 31950	1	Oil Seal
	81A 650745	1	Washer
	81 30590A	1	Washer
	82 34751	1	Governor Gear Assy
	83 35322	1	Governor Spool
	86A 792028	3	Screw, 5/16-18 x 7/8"
	86 650588	1	Screw, 1/4-20 x 2"
	87 650451	8	Screw, 1/4-20 x 1"
	88 32426	1	Spacer

Engine Parts List #1

Ref #	Part Number	Qty	Description
89	650592	1	Flywheel Key
90A	730201	1	Trigger Pin Kit
90	610901	1	Flywheel (Incl. 90A)
92	650666	1	Washer
93	650594	1	Flywheel Nut
94A	650168	1	Flat Washer
94	651016	1	Nut
96	30845A	1	R.P.M. Adjusting Bolt
98	650488	1	Screw 1/4-20 x 1-1/4"
100	610906	1	Solid State Ignition
101A	610750	1	Grommet
101	610118	1	Spark Plug Cover
103	650661	2	Screw, 1/4-20 x 3/4"
108	29783	1	Crankshaft Pin
109	34692	1	Crankshaft Gear
119	34641A	1	* Cylinder Head Gasket
120	34771	1	Cylinder Head
121	730218	2	Valve Guide Kit (Incl. 2 of 122)
122	792035	2	Retaining Ring
125	33506	1	Exhaust Valve (Std.) (Incl. 151)
125	33646	1	Exhaust Valve (1/32" OS) (Incl. 151)
126	34643	1	Intake Valve (Std.) (Incl. 151)
126	34644	1	Intake Valve (1/32" OS) (Incl. 151)
127	650691	6	Washer
128	650690	6	Belleville Washer
129	650692	4	Screw, 5/16-18 x 1-3/4"
130	650746	2	Screw, 5/16-18 x 1-3/8"
133B	8274	1	Lock Washer
133C	650595	1	Screw 5/16-24 x 3/8"
135	34645	1	Resistor Spark Plug (RN4C)
141	33481	4	* "O" Ring (Also Incl. in 401)
142	35475	2	Push Rod Tube
143	34754	1	Rocker Arm Housing
144	33484	3	* "O" Ring (Also Incl. in 401)
145	650168	3	Washer
146	32610A	3	Screw, 1/4-20 x 29/32"
147	33509	1	* "O" Ring (Also Incl. in 401)
148	34410	1	* "O" Ring (Also Incl. in 401)
149	33510	2	Valve Spring Cap
150	33507	2	Valve Spring
151	33508	2	Valve Spring Keeper
154	650756	2	Rocker Arm Stud
155	33485	1	Rocker Arm
157	33486	2	Retaining Ring
158	33471	2	Push Rod
159	33487	1	* "O" Ring (Also Incl. in 401)
160	33488	1	Rocker Arm Housing
161	650755	1	Screw, 1/4-20 x 3/4"
162	650864	1	Nut, 1/4-20
169	31958A	1	* Valve Cover Gasket(Also Incl.in 401)
170	33489	1	Breather Body
173	33490	1	Breather Tube
174	30102	2	* Screw 10-32 x 5/8"(Also Incl. in 401)
182	650378	2	Screw, Torx T-30, 5/16-18 x 1-1/8"
184	33476A	2	* Carburetor To Intake Pipe Gasket
185	33475	1	Intake Pipe
186A	33983	1	Governor Link
186	33478	1	Governor Link

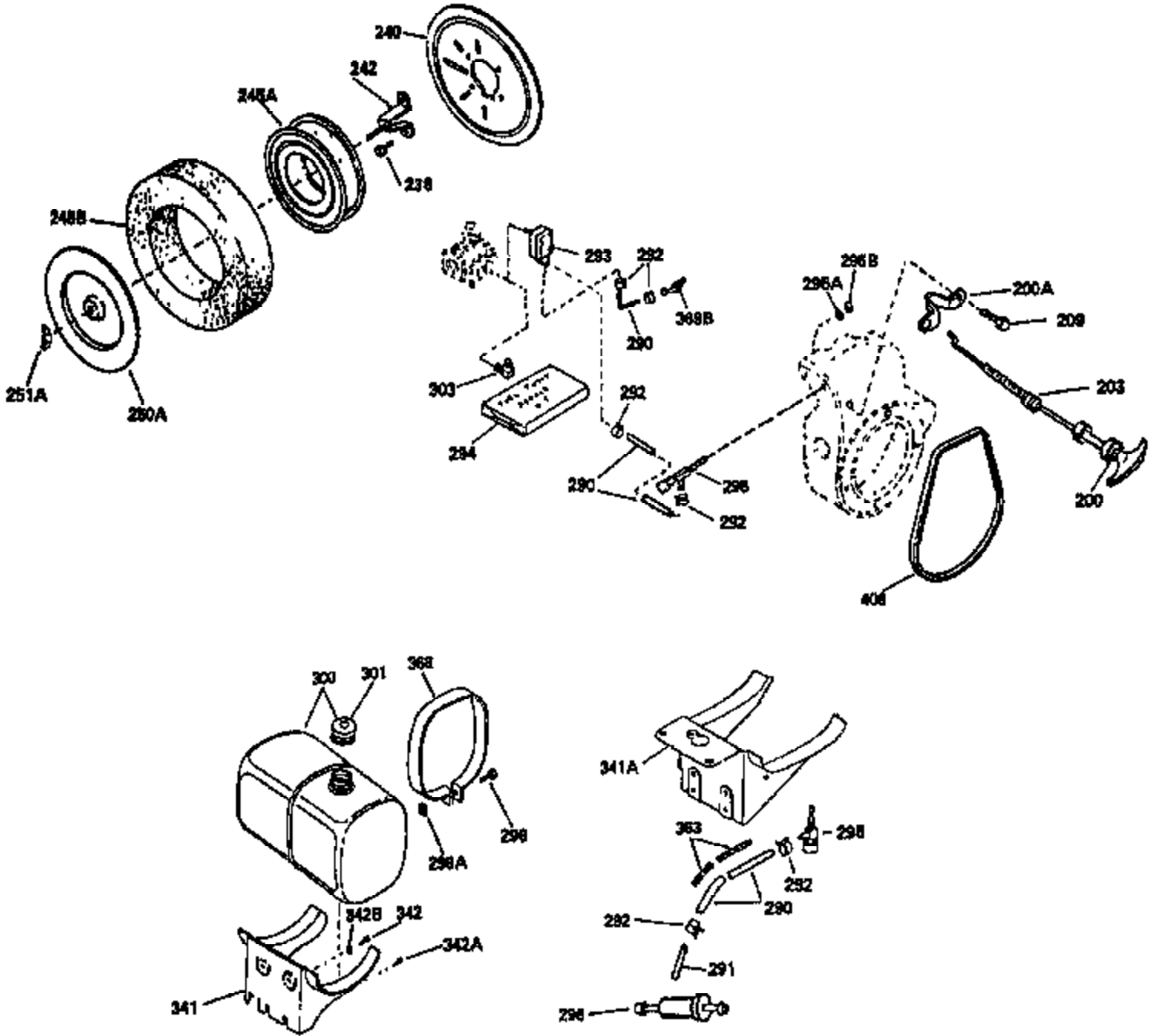
Ref #	Part Number	Qty	Description
200	34457	1	Control Bracket
203	33099	2	Compression Spring
204	650591	2	Screw, 10-24 x 2"
212	31966	1	Bushing
213	650597	1	Screw, 10-24 x 5/8"
216	34456	1	R.P.M. Adjusting Lever
223	650971	2	Screw, Torx T-30, 5/16-18 x 7/8"
224	33515A	1	* Intake Pipe Gasket
238	650399	4	Screw, 10-32 x 5/8"
239	35471	1	* Air Cleaner Gasket
242	35472	1	Air Cleaner Bracket
245	32008	1	Air Cleaner Element
250	32810	1	Air Cleaner Cover
251	650513	1	Wing Nut, 1/4-20
260	35674	1	Blower Housing
261	650752	1	Screw, 1/4-20 x 7/16"
261A	650751	1	Screw, 1/4-20 x 7/16"
264	650736	2	Screw, 10-16 x 3/8"
265	33495	1	Cylinder Head Cover
275	35731	1	Muffler
286	33776	1	Starter Screen
287A	650680	3	Screw, 1/4-20 x 1-1/2"
287	27070	3	Washer
291A	29774	1	Fuel Line
298A	650456	2	Lock Nut, 1/4-20
303	29634	2	Fuel Fitting
303	29634	1	Fuel Fitting
305	35574	1	Oil Fill Tube
307	35499	1	"O" Ring
310	35599	1	Oil Dipstick
319B	650595	1	Screw, 5/16-24 x 3/8"
319A	8274	1	Lock Washer
319	651026	1	Screw, 1/4-20 x 1/2"
324	610908	1	Terminal
324A	610408	2	Nut, 8-32
361A	650797	1	Screw, 5/16-18 x 1/2"
366A	33192	1	Muffler Nipple
370	36261	1	Instruction Decal
370A	35532	1	Name Decal
370B	35274	1	Instruction Decal
380	632477	1	Carburetor (Incl. 184)
392	32046	1	Starter Rope
393	31980	1	Starter Rope Pulley
400	33516G	1	* Gasket Set (Incl. items marked PK in notes) Incl. part #'s 29673 (1), 30 102 (2), 31950 (2), 31956B (1), 31958A (1), 31971 (2), 31972 (1), 32031 (1), 32599 (1), 33476A (2), 33481 (4), 33484 (3), 33487 (1), 33509 (1), 33515A (1), 34225A (1), 34410 (1), 34641A (1), 35471 (1)
401	35075A	1	* "O" Ring Set (Also Incl. in 400) 30102 (2), 31958A (1), 33481(4), 33484 (3), 33487 (1), 33509 (1) 34410 (1)
409	31992	3	Spacer
420	730225	1	SAE 30 4-Cycle Engine Oil (Quart)
480	31971	2	* Shim Gasket (.004/.005) (See Repair Manual)
481	31972	1	* Shim Gasket (.005/.007) (See Repair Manual)
482	32031	1	* Steel Spacer(.010)(See Repair Manual)
503	650864	2	Nut, 1/4-20

VIEW 2 of 3 ... this illustration may not depict actual equipment and is for reference only!



Ref #	Part Number	Qty	Description
72A	28534	1	Oil Drain Plug
88	32426	1	Spacer
133C	650595	1	Screw 5/16-24 x 3/8"
135	34645	1	Resistor Spark Plug (RN4C)
147	33509	1	* "O" Ring (Also Incl. in 401)
251	650513	1	Wing Nut, 1/4-20
261A	650751	1	Screw, 1/4-20 x 7/16"
265	33495	1	Cylinder Head Cover
271A	35732	1	Muffler Clamp
291A	29774	1	Fuel Line
298A	650456	2	Lock Nut, 1/4-20
305	35574	1	Oil Fill Tube
314	650521	2	Screw, 10-32 x 1-1/8"
315	611214	1	Alternator Coil (20 Amp)(Incl.322,322 A & 323)
319B	650595	1	Screw, 5/16-24 x 3/8"
319	651026	1	Screw, 1/4-20 x 1/2"
320	611215	1	Regulator (20 Amp)
322A	610921	1	Connector Body
322	610824	1	Connector Body
323	610922	2	Terminal
361A	650797	1	Screw, 5/16-18 x 1/2"
361	650781	2	Screw, 5/16-18 x 11/16"
366A	33192	1	Muffler Nipple
395	33835	1	Electric Starter Motor (12 Volt)
500	730198	1	Switch Assembly
501	34616	1	Starter Switch
502	27513	2	Lock Washer
503	650864	2	Nut, 1/4-20
504	8274	2	Lock Washer
505	650586	2	Nut, 5/16-24
506	34620	1	Wire & Fuse
507	34618	1	Starter Wire
508	34619	1	Ground Wire
509	34617	1	Adapter Cord
510	34615	1	Toggle Switch
511	34614	1	Starter Button Bracket
512	792026	1	Screw, 1/4-20 x 7/8"
512	792026	1	Screw, 1/4-20 x 7/8"

VIEW 3 of 3 ... this illustration may not depict actual equipment and is for reference only!



Ref #	Part Number	Qty	Description
72A	28534	1	Oil Drain Plug
88	32426	1	Spacer
133C	650595	1	Screw 5/16-24 x 3/8"
135	34645	1	Resistor Spark Plug (RN4C)
147	33509	1	* "O" Ring (Also Incl. in 401)
200	34457	1	Control Bracket
203	33099	2	Compression Spring
238	650399	4	Screw, 10-32 x 5/8"
242	35472	1	Air Cleaner Bracket
251	650513	1	Wing Nut, 1/4-20
261A	650751	1	Screw, 1/4-20 x 7/16"
265	33495	1	Cylinder Head Cover
290	29774	1	Fuel Line
291A	29774	1	Fuel Line
291	30962	1	Fuel Line
292	26460	4	Fuel Line Clamp
293	35807	1	Pulse Pump
295	29683	1	Fuel Shut-Off Valve
298	650488	3	Screw, 1/4-20 x 1-1/4"
298A	650456	2	Lock Nut, 1/4-20
300	33979	1	Fuel Tank (Incl. 301)
301	410144B	1	Fuel Cap
303	29634	2	Fuel Fitting
303	29634	1	Fuel Fitting
305	35574	1	Oil Fill Tube
319B	650595	1	Screw, 5/16-24 x 3/8"
341	33978	1	Fuel Tank Bracket
342A	650785	2	Screw, 5/16-18 x 5/8"
342	650786	2	Screw, 1/4-20 x 5/8"
342B	650787	2	Washer
361A	650797	1	Screw, 5/16-18 x 1/2"
368	33980	1	Fuel Tank Strap
503	650864	2	Nut, 1/4-20