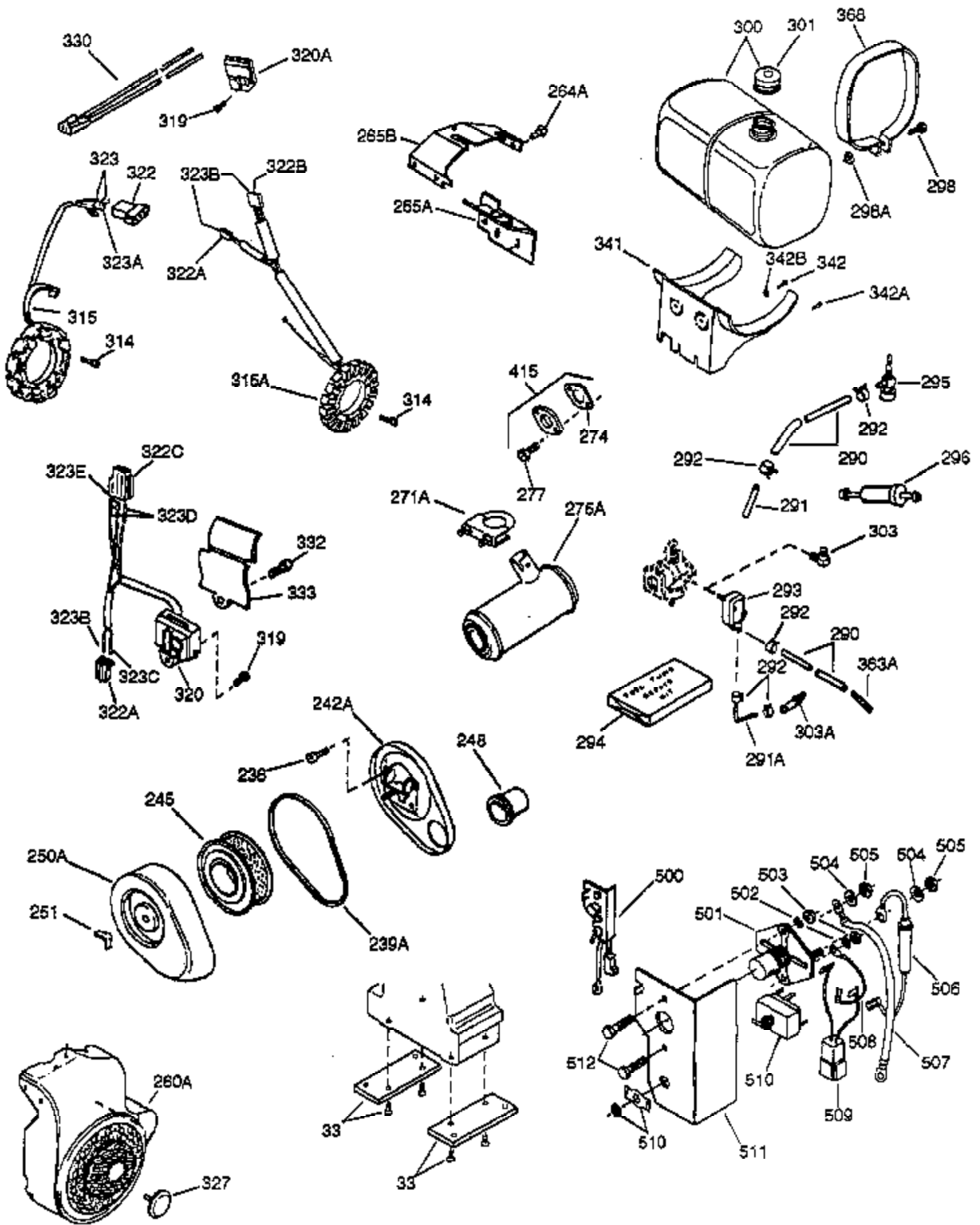


Ref #	Part Number	Qty	Description
	1 34648A	1	Cylinder (Incl. 2, 20 & 72)
	2 27652	2	Dowel Pin
	15C 34222	1	Needle Roller Bearing
	15D 34223	1	Needle Roller Bearing
	15 32425	1	Governor Rod
	16 31963	1	Governor Lever
	16A 31965	1	Governor Spring Plate
	17 31964	1	Governor Lever Clamp
	18 650544	1	Screw, Torx T-25, 10-24 x 7/8"
	19A 33982	1	Extension Spring
	19 34458	1	Extension Spring
	19 34458	1	Extension Spring
	20 31950	1	* Oil Seal
	20A 32599	1	* "O" Ring
	24A 31928	2	Bearing Cup
	24 31932	2	Tapered Roller Bearing
	25A 33477A	1	Air Baffle
	25B 650738	1	Screw, 1/4-20 x 5/8"
	25 32579	1	Blower Housing Baffle
	26 650561	3	Screw, 1/4-20 x 5/8"
	30 33423B	1	Crankshaft
	35 30312	1	Screw, 10-32 x 1/2"
	36 8345	1	Flat Washer
	37 7975	1	Lock Nut, 10-24
	38A 650518	1	Washer
	38 29193	1	Retaining Ring
	40 34624	1	Piston, Pin & Ring Set (Std.)
	40 34625	1	Piston, Pin & Ring Set (.010" OS)
	40 34626	1	Piston, Pin & Ring Set (.020" OS)
	41 34629	1	Piston & Pin Ass'y (Std.) (Incl. 43)
	41 34630	1	Piston & Pin Ass'y (.010" OS) (Incl. 43)
	41 34631	1	Piston & Pin Ass'y (.020" OS) (Incl. 43)
	42 34635	1	Ring Set (Std.)
	42 34636	1	Ring Set (.010" OS)
	42 34637	1	Ring Set (.020" OS)
	43 34634	2	Piston Pin Retaining Ring
	45 34640	1	Connecting Rod Ass'y (Incl.46 - 46B)
	45 35243	1	Connecting Rod Ass'y (.010" US)(Incl. 46-46B)
	45 35244	1	Connecting Rod Ass'y (.020" US)(Incl. 46-46B)
	46 32077	2	Connecting Rod Bolt
	46A 26073	2	Washer
	46B 28264	2	Nut
	48 33472	2	Valve Lifter
	50 34752	1	Camshaft (MCR)
	60 33479	1	Blower Housing Extension
	62 30063	1	Screw, Torx T-30, 1/4-20 x 1/2"
	66 30063	2	Screw, Torx T-30, 1/4-20 x 1/2"
	69 31956B	1	* Cylinder Cover Gasket
	70 34095	1	Cylinder Cover (Incl. 15,38,72,75,88)
	70A 32577	1	Cylinder Cover (See Ref. #'s 480-482)
	72 31927	2	Oil Drain Plug
	75 31950	1	Oil Seal
	81A 650745	1	Washer
	81 30590A	1	Washer
	82 34751	1	Governor Gear Ass'y
	83 35322	1	Governor Spool
	86 650588	1	Screw, 1/4-20 x 2"
	86A 792028	3	Screw, 5/16-18 x 7/8"

Engine Parts List #1

Ref #	Part Number	Qty	Description
87	650451	8	Screw, 1/4-20 x 1"
88	32426	1	Spacer
89	650592	1	Flywheel Key
90A	730201	1	Trigger Pin Kit
90	610901	1	Flywheel (Incl. 90A)
92	650666	1	Washer
93	650594	1	Flywheel Nut
94	651016	1	Nut
94A	650168	1	Flat Washer
96	30845A	1	R.P.M. Adjusting Bolt
98	650488	1	Screw 1/4-20 x 1-1/4"
100	610906	1	Solid State Ignition
101A	610750	1	Grommet
101	610118	1	Spark Plug Cover
103	650661	2	Screw, 1/4-20 x 3/4"
108	29783	1	Crankshaft Pin
109	34692	1	Crankshaft Gear
119	34641A	1	* Cylinder Head Gasket
120	34771	1	Cylinder Head
121	730218	2	Valve Guide Kit (Incl. 2 of 122)
122	792035	2	Retaining Ring
125	33506	1	Exhaust Valve (Std.) (Incl. 151)
125	33646	1	Exhaust Valve (1/32" OS) (Incl. 151)
126	34643	1	Intake Valve (Std.) (Incl. 151)
126	34644	1	Intake Valve (1/32" OS) (Incl. 151)
127	650691	6	Washer
128	650690	6	Belleville Washer
129	650692	4	Screw, 5/16-18 x 1-3/4"
130	650746	2	Screw, 5/16-18 x 1-3/8"
133C	650595	1	Screw 5/16-24 x 3/8"
133B	8274	1	Lock Washer
135	34645	1	Resistor Spark Plug (RN4C)
141	33481	4	* "O" Ring (Also Incl. in 401)
142	35475	2	Push Rod Tube
143	34754	1	Rocker Arm Housing
144	33484	3	* "O" Ring (Also Incl. in 401)
145	650168	3	Washer
146	32610A	3	Screw, 1/4-20 x 29/32"
147	33509	1	* "O" Ring (Also Incl. in 401)
148	34410	1	* "O" Ring (Also Incl. in 401)
149	33510	2	Valve Spring Cap
150	33507	2	Valve Spring
151	33508	2	Valve Spring Keeper
154	650756	2	Rocker Arm Stud
155	33485	1	Rocker Arm
157	33486	2	Retaining Ring
158	33471	2	Push Rod
159	33487	1	* "O" Ring (Also Incl. in 401)
160	33488	1	Rocker Arm Housing
161	650755	1	Screw, 1/4-20 x 3/4"
162	650864	1	Nut, 1/4-20
169	31958A	1	* Valve Cover Gasket (Also Incl. in 401)
170	33489	1	Breather Body
173	33490	1	Breather Tube
174	30102	2	* Screw, 10-32 x 5/8" (Also Incl. in 40 1)
182	650378	2	Screw, Torx T-30, 5/16-18 x 1-1/8"
184	33476A	2	* Carburetor To Intake Pipe Gasket
185	33475	1	Intake Pipe

Ref #	Part Number	Qty	Description
186A	33983	1	Governor Link
186	33478	1	Governor Link
200	34457	1	Control Bracket
203	33099	1	Compression Spring
204	650591	1	Screw, 10-24 x 2"
212	31966	1	Bushing
213	650597	1	Screw, 10-24 x 5/8"
216	34456	1	Governor Lever
223	650971	2	Screw, Torx T-30, 5/16-18 x 7/8"
238	650399	4	Screw, 10-32 x 5/8"
239	35471	1	* Air Cleaner Gasket
242	35472	1	Air Cleaner Bracket
245	32008	1	Air Cleaner Element
250	32810	1	Air Cleaner Cover
251	650513	1	Wing Nut, 1/4-20
260	35674	1	Blower Housing
261	650752	1	Screw, 1/4-20 x 7/16"
261A	650751	1	Screw, 1/4-20 x 7/16"
264	650650	2	Screw, 10-16 x 3/8"
265	33495	1	Cylinder Head Cover
275	35731	1	Muffler
286	33776	1	Starter Screen
287	27070	3	Washer
287A	650680	3	Screw, 1/4-20 x 1-1/2"
305	35574	1	Oil Fill Tube
306	35499	1	* "O" Ring
310	35599	1	Dipstick
319A	8274	1	Lock Washer
319B	650595	1	Screw, 5/16-24 x 3/8"
324	610908	1	Terminal
324A	610408	2	Nut, 8-32
361	650781	2	Screw, 5/16-18 x 11/16"
361A	650797	1	Screw, 5/16-18 x 1/2"
366A	33192	1	Muffler Nipple
370B	35274	1	Instruction Decal
370A	35532	1	Name Decal
370	36261	1	Instruction Decal
380	632477	1	Carburetor (Incl. 184)
392	32046	1	Starter Rope
393	31980	1	Starter Rope Pulley
395	33835	1	Electric Starter Motor (12 Volt)
400	33516F	1	* Gasket Set (Incl. items marked PK in notes) Incl. part #'s 29673 (1), 30102 (2), 31950 (2), 31956B (1), 31958A (1), 31971 (2), 31972 (1), 32031 (1), 32599 (1), 33476A (2), 33481 (4), 33484 (3), 33487 (1), 33509 (1), 33515A (1), 34225A (1), 34302A (1), 34410 (1), 34641A (1), 35471 (1)
401	35075A	1	* "O" Ring Set (Also Incl. in 400) 30102 (2), 31958A (1), 33481(4), 33484 (3), 33487 (1), 33509 (1) 34410 (1)
409	31992	3	Spacer
420	730225	1	SAE 30 4-Cycle Engine Oil (Quart)
480	31971	2	* Shim Gasket (.004/.005) (See Repair Manual)
481	31972	1	* Shim Gasket (.005/.007) (See Repair Manual)
482	32031	1	* Steel Spacer (.010) (See Repair Manual)



Ref #	Part Number	Qty	Description
238	650399	4	Screw, 10-32 x 5/8"
245	32008	1	Air Cleaner Element
251	650513	1	Wing Nut, 1/4-20
261A	650751	1	Screw, 1/4-20 x 7/16"
271A	35732	1	Muffler Clamp
274	33515A	1	* Exhaust Gasket
290	29774	1	Fuel Line
290	30962	1	Fuel Line
292	26460	4	Fuel Line Clamp
293	35807	1	Pulse Pump
295	29683	1	Fuel Shut-Off Valve
298A	650456	2	Lock Nut, 1/4-20
298	650488	2	Screw, 1/4-20 x 1-1/4"
300	33979	1	Fuel Tank (Incl. 301)
301	410144B	1	Fuel Cap
303	29634	2	Fuel Fitting
314	650521	2	Screw, 10-32 x 1-1/8"
315	610902	1	Alternator Coil (20 Amp)(Incl. 322,32 3&323A)
319	30063	1	Screw, Torx T-30, 1/4-20 x 1/2"
320	610996	1	Regulator
322	611201	1	Connector Body
323	610904	1	Terminal
323A	610905	2	Terminal
341	33978	1	Fuel Tank Bracket
342	650786	2	Screw, 1/4-20 x 5/8"
342B	650787	2	Washer
342A	650785	2	Screw, 5/16-18 x 5/8"
368	33980	1	Fuel Tank Strap
500	730198	1	Switch Assembly
501	34616	1	Starter Switch
502	27513	2	Lock Washer
503	650864	2	Nut, 1/4-20
504	8274	2	Lock Washer
505	650586	2	Nut, 5/16-24
506	34620	1	Wire & Fuse
507	34618	1	Starter Wire
508	34619	1	Ground Wire
509	34617	1	Adapter Cord
510	34615	1	Toggle Switch
511	34614	1	Starter Button Bracket
512	792026	1	Screw, 1/4-20 x 7/8"
512	792026	1	Screw, 1/4-20 x 7/8"