

Engine Parts List #1

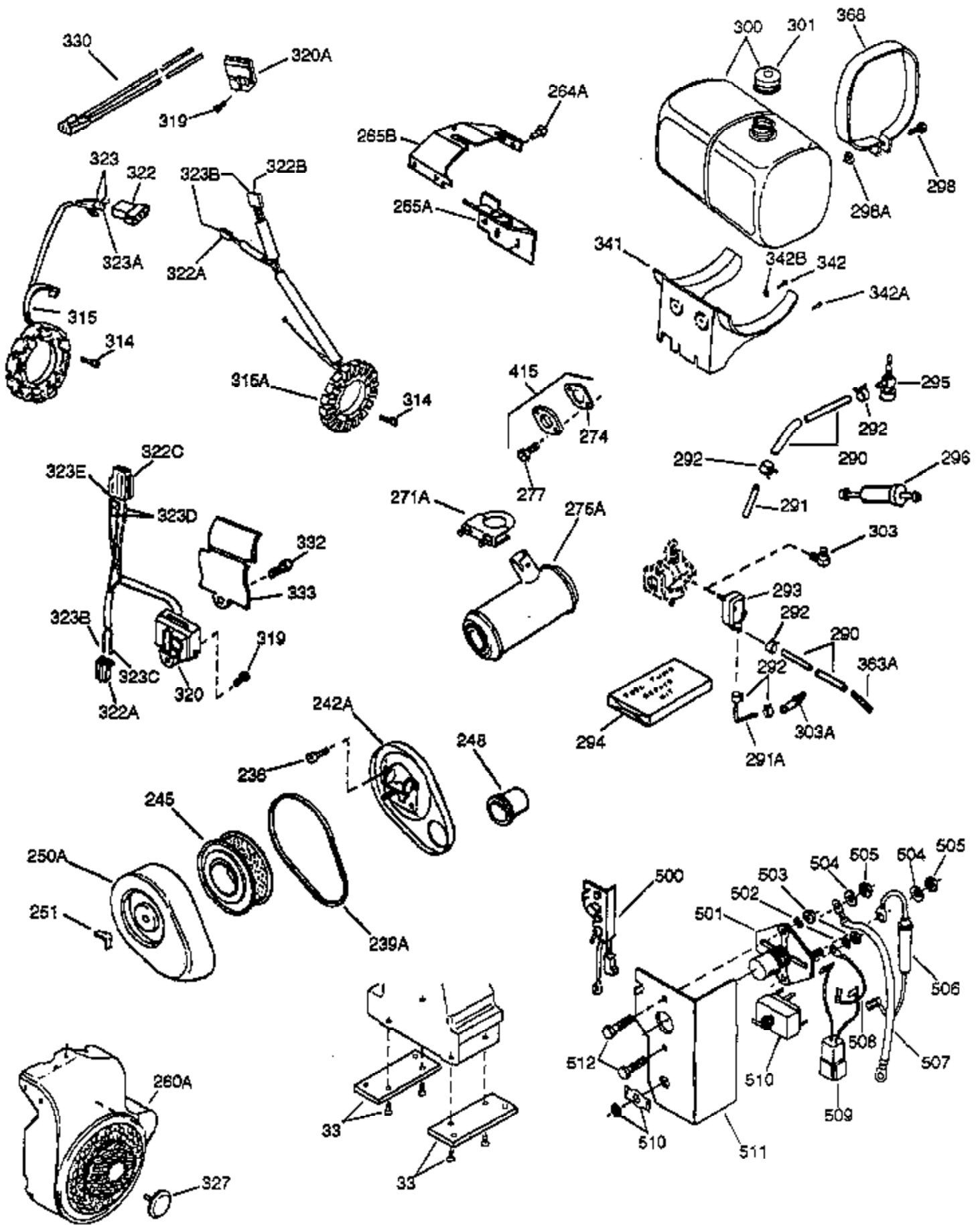
Ref #	Part Number	Qty	Description
1	34648A	1	Cylinder (Incl. 2, 20, 72 & 72A)
2	27652	2	Dowel Pin
14A	28558	1	Washer
15	32425	1	Governor Rod
15C	34222	1	Needle Roller Bearing
15D	34223	1	Needle Roller Bearing
16	31963	1	Governor Lever
16B	31965	1	Governor Spring Plate
17	31964	1	Governor Lever Clamp
18	650544	1	Screw, Torx T-25, 10-24 x 7/8"
19	31967	1	Extension Spring
20A	32599	1	* "O" Ring
20	31950	1	* Oil Seal
24A	31928	2	Bearing Cup
24	31932	2	Tapered Roller Bearing
25B	650738	1	Screw, 1/4-20 x 5/8"
25A	33477A	1	Air Baffle
25	32579	1	Blower Housing Baffle
26	650561	3	Screw, 1/4-20 x 5/8"
30	34402A	1	Crankshaft
35	30312	1	Screw, 10-32 x 1/2"
36	8345	1	Flat Washer
37	7975	1	Lock Nut, 10-24
38	29193	1	Retaining Ring
38A	650518	1	Washer
40	34624	1	Piston, Pin & Ring Set (Std.)
40	34625	1	Piston, Pin & Ring Set (.010" OS)
40	34626	1	Piston, Pin & Ring Set (.020" OS)
41	34629	1	Piston & Pin Ass'y (Std.) (Incl. 43)
41	34630	1	Piston & Pin Ass'y (.010" OS) (Incl. 43)
41	34631	1	Piston & Pin Ass'y (.020" OS) (Incl. 43)
42	34635	1	Ring Set (Std.)
42	34636	1	Ring Set (.010" OS)
42	34637	1	Ring Set (.020" OS)
43	34634	2	Piston Pin Retaining Ring
45	34640	1	Connecting Rod Ass'y (Incl.46 - 46B)
45	35243	1	Connecting Rod Ass'y (.010" US)(Incl. 46-46B)
45	35244	1	Connecting Rod Ass'y (.020" US)(Incl. 46-46B)
46B	28264	2	Nut
46A	26073	2	Washer
46	32077	2	Connecting Rod Bolt
48	33472	2	Valve Lifter
50	34752	1	Camshaft (MCR)
60	33479	1	Blower Housing Extension
62	650760	1	Screw, 8-32 x 3/8"
63	28545	1	Grommet
66	30063	2	Screw, Torx T-30, 1/4-20 x 1/2"
68	33356	1	Ground Terminal
69	31956B	1	* Cylinder Cover Gasket
70A	32577	1	Cylinder Cover (See Ref. #'s 480-482)
70	34095	1	Cylinder Cover (Incl. 15,15C,15D,36,3 8,75&88)
72A	28534	2	Oil Drain Plug
72	31927	2	Oil Drain Plug
75	31950	1	Oil Seal
81A	650745	1	Washer
81	30590A	1	Washer
82	34751	1	Governor Gear Ass'y
83	35322	1	Governor Spool

Engine Parts List #1

Ref #	Part Number	Qty	Description
86	650588	1	Screw, 1/4-20 x 2"
86A	792028	3	Screw, 5/16-18 x 7/8"
87	650451	8	Screw, 1/4-20 x 1"
88	32426	1	Spacer
89	650592	1	Flywheel Key
90A	730201	1	Trigger Pin Kit
90	610967	1	Flywheel (Incl. 90A)
92	650666	1	Washer
93	650594	1	Flywheel Nut
100	610906	1	Solid State Ignition
101A	610750	1	Grommet
101	610118	1	Spark Plug Cover
103	650661	2	Screw, 1/4-20 x 3/4"
108	29783	1	Crankshaft Pin
109	34692	1	Crankshaft Gear
119	34641A	1	* Cylinder Head Gasket
120	34771	1	Cylinder Head
121	730218	2	Valve Guide Kit (Incl. 2 of 122)
122	792035	2	Retaining Ring
125	33506	1	Exhaust Valve (Std.) (Incl. 151)
125	33646	1	Exhaust Valve (1/32" OS) (Incl. 151)
126	34643	1	Intake Valve (Std.) (Incl. 151)
126	34644	1	Intake Valve (1/32" OS) (Incl. 151)
127	650691	6	Washer
128	650690	6	Belleville Washer
129	650692	4	Screw, 5/16-18 x 1-3/4"
130	650746	2	Screw, 5/16-18 x 1-3/8"
133C	650595	1	Screw, 5/16-24 x 3/8"
133B	8274	1	Lock Washer
135	34645	1	Resistor Spark Plug (RN4C)
141	33481	4	* "O" Ring (Also Incl. in 401)
142	35475	2	Push Rod Tube
143	34754	1	Rocker Arm Housing
144	33484	3	* "O" Ring (Also Incl. in 401)
145	650168	3	Washer
146	32610A	3	Screw, 1/4-20 x 29/32"
147	33509	1	* "O" Ring (Also Incl. in 401)
148	34410	1	* "O" Ring (Also Incl. in 401)
149	33510	2	Valve Spring Cap
150	33507	2	Valve Spring
151	33508	2	Valve Spring Keeper
154	650755	1	Screw, 1/4-20 x 3/4"
155	33485	1	Rocker Arm
157	33486	2	Retaining Ring
158	33471	2	Push Rod
159	33487	1	* "O" Ring (Also Incl. in 401)
160	33488	1	Rocker Arm Housing
161	650756	2	Rocker Arm Stud
162	650864	1	Nut, 1/4-20
169	31958A	1	* Valve Cover Gasket (Also Incl. in 401)
170	33489	1	Breather Body
173	33490	1	Breather Tube
174	30102	2	* Screw, 10-32 x 5/8" (Also Incl. in 40 1)
182	651049	2	Screw, Torx T-30, 5/16-18 x 1-1/8"
184	33476A	2	* Carburetor To Intake Pipe Gasket
185	33475	1	Intake Pipe
186	33478	1	Governor Link
203	33099	1	Compression Spring

Engine Parts List #1

Ref #	Part Number	Qty	Description
204	650591	1	Screw, 10-24 x 2"
212	31966	1	Bushing
213	650597	1	Screw, 10-24 x 5/8"
216	31984A	1	R.P.M. Adjusting Lever
223	650971	2	Screw, Torx T-30, 5/16-18 x 7/8"
224	33515A	1	* Intake Pipe Gasket
238	650399	4	Screw, 10-32 x 5/8"
239	35471	1	* Air Cleaner Gasket
242	35472	1	Air Cleaner Bracket
245	32008	1	Air Cleaner Element
250	32810	1	Air Cleaner Cover
251	650513	1	Wing Nut, 1/4-20
260	33775A	1	Blower Housing
261A	650751	1	Screw, 1/4-20 x 7/16"
261	650752	1	Screw, 1/4-20 x 7/16"
264	650650	2	Screw, 10-16 x 3/8"
265	33495	1	Cylinder Head Cover
281	33013	1	Starter Bubble Cover
282	650701	1	Screw, 8-18 x 7/16"
286	33776	1	Starter Screen
287A	650680	3	Screw, 1/4-20 x 1-1/2"
287	27070	3	Washer
305	32352	1	Oil Fill Tube
307	29673	1	* Fill Plug Gasket
310	33068	1	Dipstick
319B	650595	1	Screw, 5/16-24 x 3/8"
319A	8274	1	Lock Washer
324A	610408	2	Nut, 8-32
324	610908	1	Terminal
325	29443	1	Wire Clip
370B	35274	1	Instruction Decal
370	36261	1	Instruction Decal
370A	35532	1	Name Decal
380	632456	1	Carburetor (Incl. 184)
393	31980	1	Starter Rope Pulley
400	33516G	1	* Gasket Set (Incl. items marked PK in notes) Incl. part #'s 29673 (1), 30102 (2), 31950 (2), 31956B (1), 31958A (1), 31971 (2), 31972 (1), 32031 (1), 32599 (1), 33476A (2), 33481 (4), 33484 (3), 33487 (1), 33509 (1), 33515A (1), 34225A (1), 34302A (1), 34410 (1), 34641A (1), 35471 (1)
401	35075A	1	* "O" Ring Set (Also Incl. in 400) 30102 (2), 31958A (1), 33481(4), 33484 (3), 33487 (1), 33509 (1) 34410 (1)
409	31992	3	Spacer
420	730225	1	SAE 30 4-Cycle Engine Oil (Quart)
436	610965	1	Stator Plate Ass'y
436B	650399	2	Screw, 10-32 x 5/8"
480	31971	2	* Shim Gasket (.004/.005) (See Repair Manual)
481	31972	1	* Shim Gasket (.005/.007) (See Repair Manual)
482	32031	1	* Steel Spacer (.010) (See Repair Manual)



Ref #	Part Number	Qty	Description
16B	31965	1	Governor Spring Plate
238	650399	4	Screw, 10-32 x 5/8"
245	32008	1	Air Cleaner Element
251	650513	1	Wing Nut, 1/4-20
261A	650751	1	Screw, 1/4-20 x 7/16"
436B	650399	2	Screw, 10-32 x 5/8"