

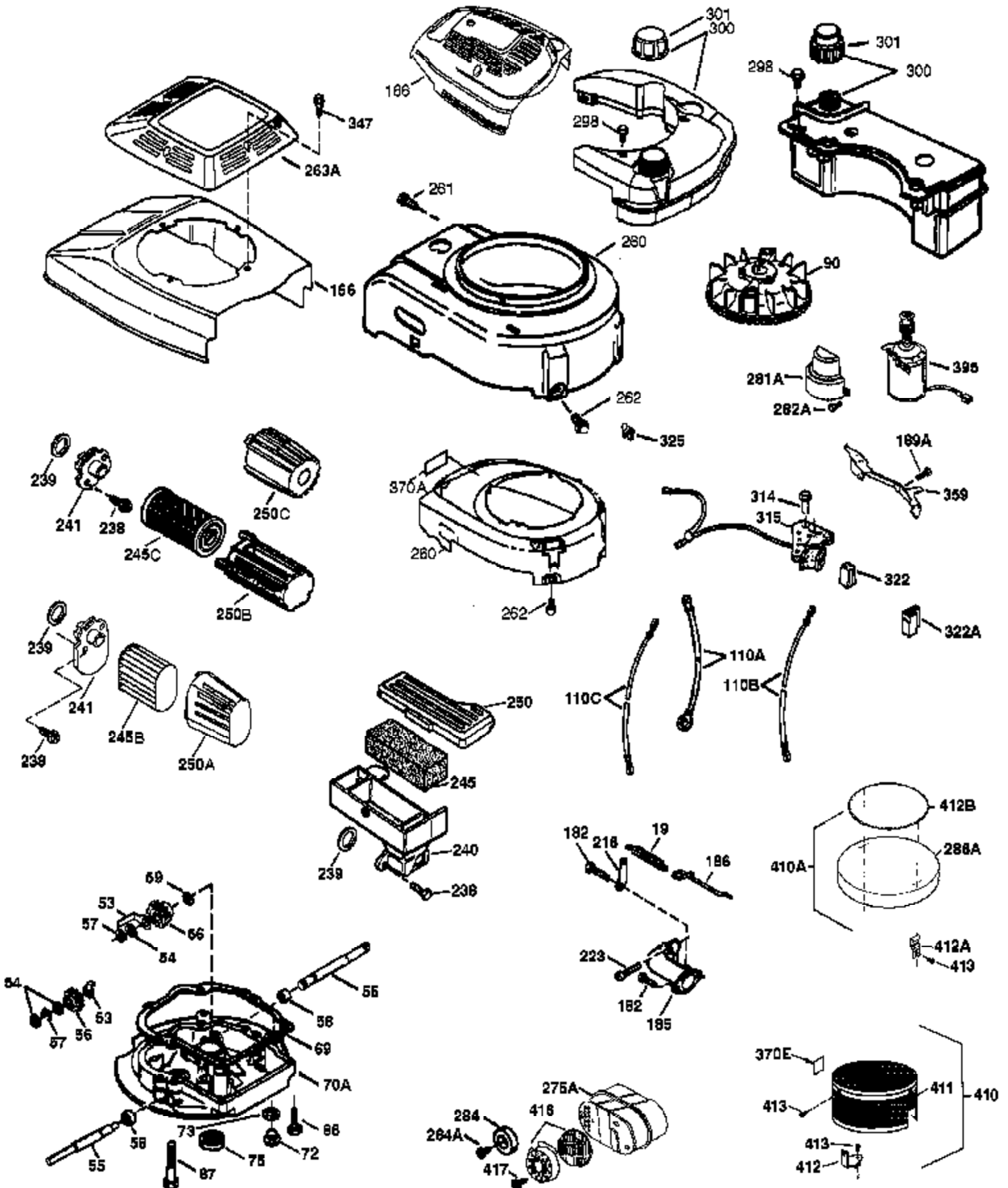
## Engine Parts List #1

| Ref # | Part Number | Qty | Description                                   |
|-------|-------------|-----|---|
| 1     | 37266       | 1   | Cylinder (Incl. 2,20 & 150)                   |
| 2     | 26727       | 2   | Dowel Pin                                     |
| 6     | 33734       | 1   | Breather Element                              |
| 7     | 36557       | 1   | Breather Ass'y. (Incl. 6 & 12A)               |
| 12B   | 36694       | 1   | Breather Fitting                              |
| 12A   | 36558       | 1   | Breather Cover & Tube                         |
| 12    | 36775       | 1   | Breather Tube                                 |
| 14    | 28277       | 1   | Washer  |
| 15    | 30589       | 1   | Governor Rod (Incl. 14)                       |
| 16    | 34839A      | 1   | Governor Lever                                |
| 17    | 31335       | 1   | Governor Lever Clamp                          |
| 18    | 651018      | 1   | Screw, Torx T-15, 8-32 x 19/64"               |
| 19    | 36281       | 1   | Extension Spring                              |
| 20    | 32600       | 1   | Oil Seal                                      |
| 30    | 36793       | 1   | Crankshaft                                    |
| 40    | 40004       | 1   | Piston, Pin & Ring Set (Std.)                 |
| 40    | 40005       | 1   | Piston, Pin & Ring Set (.010" OS)             |
| 41    | 36070       | 1   | Piston & Pin Ass'y. (Std.) (Incl. 43)         |
| 41    | 36071       | 1   | Piston & Pin Ass'y. (.010" OS) (Incl. 43)     |
| 42    | 40006       | 1   | Ring Set (Std.)                               |
| 42    | 40007       | 1   | Ring Set (.010" OS)                           |
| 43    | 20381       | 2   | Piston Pin Retaining Ring                     |
| 45    | 36777       | 1   | Connecting Rod Ass'y. (Incl. 46)              |
| 46    | 32610A      | 2   | Connecting Rod Bolt                           |
| 48    | 27241       | 2   | Valve Lifter                                  |
| 50    | 37460       | 1   | Camshaft (Exhaust MCR)(Inc. Ref 104)          |
| 52    | 29914       | 1   | Oil Pump Ass'y.                               |
| 69    | 37609       | 1   | * Mounting Flange Gasket                      |
| 70    | 37677       | 1   | Mounting Flange (Incl. 72 thru 83,306 & 311A) |
| 72A   | 28534       | 1   | Oil Drain Plug (Flush)                        |
| 72    | 37614       | 1   | Oil Drain Plug                                |
| 75    | 28460       | 1   | Oil Seal                                      |
| 80    | 30574A      | 1   | Governor Shaft                                |
| 81    | 30590A      | 1   | Washer  |
| 82    | 30591       | 1   | Governor Gear Ass'y. (Incl. 81)               |
| 83    | 30588A      | 1   | Governor Spool                                |
| 86    | 650488      | 6   | Screw, 1/4-20 x 1-1/4"                        |
| 89    | 610961      | 1   | Flywheel Key                                  |
| 90    | 611213      | 1   | Flywheel                                      |
| 92    | 650815      | 1   | Belleville Washer                             |
| 93    | 650816      | 1   | Flywheel Nut                                  |
| 100   | 34443C      | 1   | Solid State Ignition                          |
| 101   | 610118      | 1   | Spark Plug Cover                              |
| 103   | 651007      | 2   | Screw, Torx T-15, 10-24 x 15/16"              |
| 104   | 37480       | 1   | Cam Bushing                                   |
| 110   | 35183       | 1   | Ground Wire                                   |
| 119   | 36787       | 1   | * Cylinder Head Gasket                        |
| 120   | 36825       | 1   | Cylinder Head                                 |
| 125   | 37288       | 1   | Exhaust Valve (Std.) (Incl. 151)              |
| 126   | 37289       | 1   | Intake Valve (Std.) (Incl. 151)               |
| 130   | 6021A       | 8   | Screw, 5/16-18 x 1-1/2"                       |
| 135   | 37598       | 1   | Resistor Spark Plug (RJ19LM4)                 |
| 150   | 31672       | 2   | Valve Spring                                  |
| 151A  | 40017       | 1   | Intake Valve Seal                             |
| 151   | 31673       | 2   | Valve Spring Cap                              |
| 169   | 36783       | 1   | * Valve Cover Gasket                          |
| 172   | 36784       | 1   | Valve Cover                                   |
| 174   | 30200       | 2   | Screw, 10-24 x 9/16"                          |

## Engine Parts List #1

| Ref # | Part Number | Qty | Description   |
|-------|-------------|-----|---|
| 178   | 29752       | 2   | Nut & Lock Washer, 1/4-28   |
| 179   | 30593       | 1   | Retainer Clip   |
| 182   | 6201        | 2   | Screw, 1/4-28 x 7/8"  |
| 184   | 26756       | 1   | * Carburetor To Intake Pipe Gasket  |
| 185   | 36785       | 1   | Intake Pipe   |
| 186   | 34337       | 1   | Governor Link   |
| 189   | 650356      | 1   | Screw,T-30, 1/4-20 x 3/8"   |
| 200   | 33131A      | 1   | Control Bracket (Incl. 202 thru 206)  |
| 202   | 36482       | 1   | Compression Spring  |
| 203   | 31342       | 1   | Compression Spring  |
| 204   | 651029      | 1   | Screw, Torx T-10, 5-40 x 7/16"  |
| 205   | 651019      | 1   | Screw, Torx T-10, 6-32 x 41/64"   |
| 206   | 610973      | 1   | Terminal  |
| 207   | 34336       | 1   | Throttle Link   |
| 209   | 30200       | 2   | Screw, 10-32 x 9/16"  |
| 210   | 27793       | 1   | Conduit Clip  |
| 211   | 28942       | 1   | Screw, 10-32 x 3/8"   |
| 223   | 650451      | 2   | Screw, 1/4-20 x 1"  |
| 224   | 36786       | 1   | * Intake Pipe Gasket  |
| 238   | 650932      | 2   | Screw, 10-32 x 49/64"   |
| 239   | 34338       | 1   | * Air Cleaner Gasket  |
| 245   | 35066       | 1   | Air Filter (Conical)  |
| 250   | 35986       | 1   | Air Cleaner Cover   |
| 260   | 36798       | 1   | Blower Housing  |
| 261A  | 650737      | 1   | Screw, 1/4-20 x 1/2"  |
| 261   | 30200       | 2   | Screw, 10-24 x 9/16"  |
| 262   | 650831      | 2   | Screw, 1/4-20 x 1/2"  |
| 263   | 36240       | 1   | Trim Ring   |
| 275   | 36790A      | 1   | Muffler   |
| 277   | 650988      | 2   | Screw, 1/4-20 x 2-5/16"   |
| 279   | 30200       | 1   | Screw, 10-24 x 9/16"  |
| 279A  | 650902      | 1   | Screw, 10-32 x 7/16"  |
| 280   | 37171A      | 1   | Heat Shield   |
| 281   | 37211       | 1   | Guard Cover   |
| 282   | 650926      | 1   | Screw, 8-32 x 21/64"  |
| 285   | 35000A      | 1   | Starter Cup   |
| 287   | 650926      | 2   | Screw, 8-32 x 21/64"  |
| 290   | 34357       | 1   | Fuel Line   |
| 292   | 26460       | 2   | Fuel Line Clamp   |
| 292   | 26460       | 2   | Fuel Line Clamp   |
| 300   | 35586       | 1   | Fuel Tank (Incl. 292 & 301)   |
| 301   | 37656       | 1   | Fuel Cap  |
| 305   | 35577       | 1   | Oil Fill Tube   |
| 306   | 37610       | 1   | * "O"-Ring  |
| 307   | 35499       | 1   | "O"-Ring  |
| 309   | 650562      | 1   | Screw, 10-32 x 1/2"   |
| 309A  | 650783      | 1   | Screw, 10-24 x 3.4"   |
| 310   | 35578       | 1   | Dipstick  |
| 311A  | 37611       | 1   | Hold Down Bracket   |
| 313   | 34080       | 1   | Spacer  |
| 359   | 36773       | 1   | Starter Guard   |
| 370A  | 36261       | 1   | Lubrication Decal   |
| 370C  | 37318       | 1   | Primer Decal (3X)   |
| 370K  | 36695       | 1   | Starter Decal   |
| 380   | 640262A     | 1   | Carburetor (Incl. 184)  |
| 390   | 590732      | 1   | Rewind Starter (NOTE: This engine could have been built with 590738 starter). |

| Ref # | Part Number | Qty | Description                                     |
|-------|-------------|-----|---|
| 400   | 37613       | 1   | * Gasket Set (Incl. items marked PK i n notes). |
| 416   | 36085       | 1   | Spark Arrestor Kit (Incl. 417)(Option al)       |
| 417   | 650821      | 1   | Screw, 10-32 x 1/2" (Optional)                  |
| 420   | 730225A     | 1   | SAE 30 4-Cycle Engine Oil (Quart)               |



| Ref # | Part Number | Qty | Description                               |
|-------|-------------|-----|---|
| 19    | 36281       | 1   | Extension Spring                          |
| 41    | 36070       | 1   | Piston & Pin Ass'y. (Std.) (Incl. 43)     |
| 41    | 36071       | 1   | Piston & Pin Ass'y. (.010" OS) (Incl. 43) |
| 69    | 37609       | 1   | * Mounting Flange Gasket                  |
| 72    | 37614       | 1   | Oil Drain Plug                            |
| 75    | 28460       | 1   | Oil Seal                                  |
| 86    | 650488      | 6   | Screw, 1/4-20 x 1-1/4"                    |
| 90    | 611213      | 1   | Flywheel                                  |
| 182   | 6201        | 2   | Screw, 1/4-28 x 7/8"                      |
| 185   | 36785       | 1   | Intake Pipe                               |
| 186   | 34337       | 1   | Governor Link                             |
| 189A  | 650765      | 1   | Screw, 10-32 x 1/2"                       |
| 223   | 650451      | 2   | Screw, 1/4-20 x 1"                        |
| 238   | 650932      | 2   | Screw, 10-32 x 49/64"                     |
| 239   | 34338       | 1   | * Air Cleaner Gasket                      |
| 241   | 35797       | 1   | Air Cleaner Collar                        |
| 245   | 35066       | 1   | Air Filter (Conical)                      |
| 250   | 35986       | 1   | Air Cleaner Cover                         |
| 260   | 36798       | 1   | Blower Housing                            |
| 261   | 30200       | 2   | Screw, 10-24 x 9/16"                      |
| 262   | 650831      | 2   | Screw, 1/4-20 x 1/2"                      |
| 300   | 35586       | 1   | Fuel Tank (Incl. 292 & 301)               |
| 301   | 37656       | 1   | Fuel Cap                                  |
| 359   | 36773       | 1   | Starter Guard                             |
| 370A  | 36261       | 1   | Lubrication Decal                         |
| 416   | 36085       | 1   | Spark Arrestor Kit (Incl. 417)(Optional)  |
| 417   | 650821      | 1   | Screw, 10-32 x 1/2" (Optional)            |