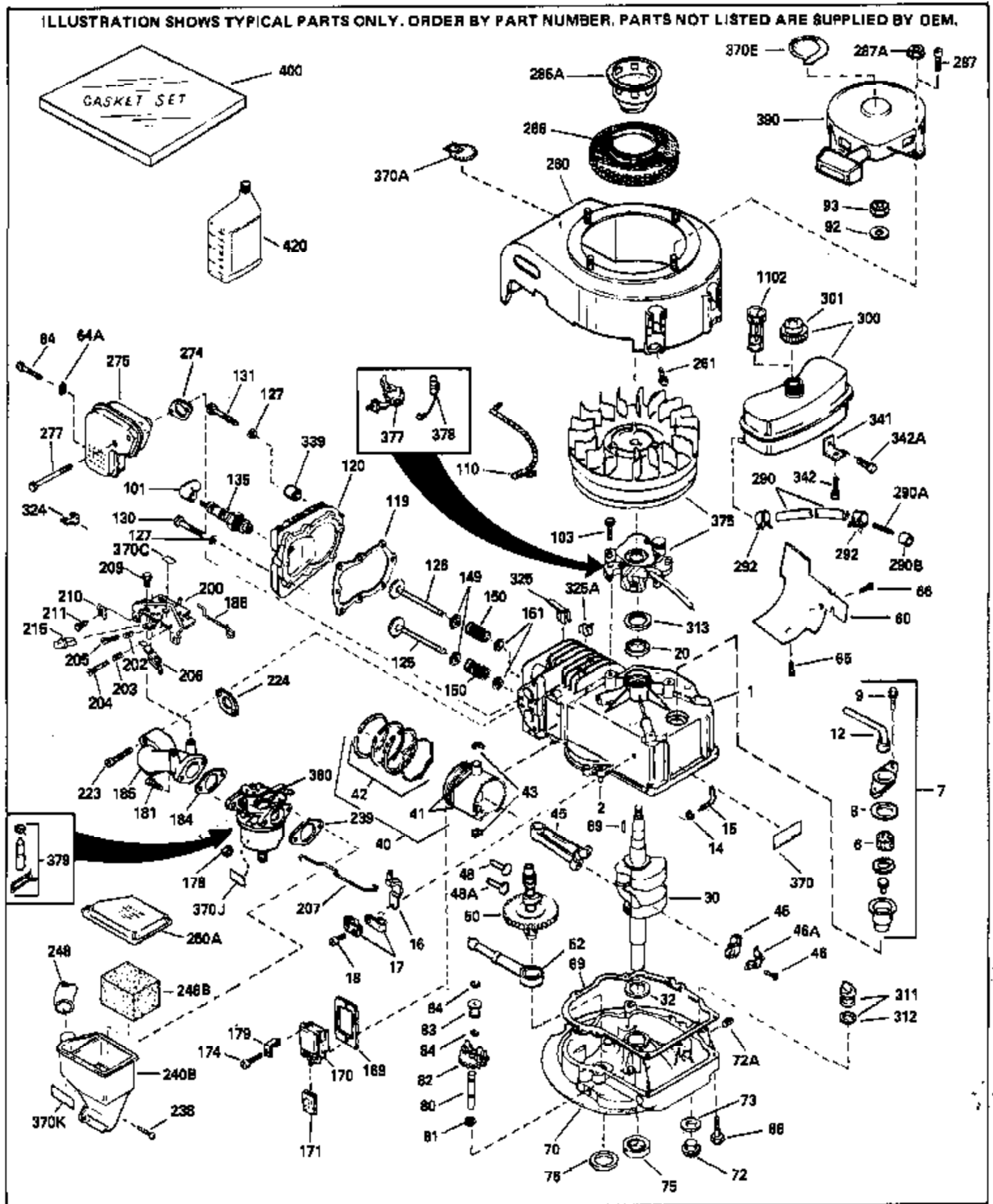


ILLUSTRATION SHOWS TYPICAL PARTS ONLY. ORDER BY PART NUMBER. PARTS NOT LISTED ARE SUPPLIED BY OEM.



Ref #	Part Number	Qty	Description
	1 35010		Cylinder (Incl. 2 & 20) (2-5/8" Bore)
	2 26727		Pin, Dowel
	14 28277		Washer, Flat
	15 31513		Rod, Governor
	16 32651		Lever, Governor
	17 31335		Clamp, Governor lever (Clamp is positioned towardspark plug end on 1977-78 and latermodels. It is positioned opposite spark plugend on earlier models.)
	18 650548		Screw, 8-32 x 5/16"
	19 31386		Spring, Governor
	20 32600		Seal, Oil
	30 33768		Crankshaft
	40 34851		Piston, Pin & Ring Set (Std.) (2-5/8" Bore)
	40 34852		Piston, Pin & Ring Set (.010" OS)
	40 34853		Piston, Pin & Ring Set (.020" OS)
	41 32603B		Piston & Pin Ass'y.(Std.)(Incl. 43)(2 -5/8")
	41 32604B		Piston & Pin Ass'y. (.010" OS) (Incl. 43)
	41 32605B		Piston & Pin Ass'y. (.020" OS) (Incl. 43)
	42 34854		Ring Set (Std.) (2-5/8" Bore)
	42 34855		Ring Set (.010" OS)
	42 34856		Ring Set (.020" OS)
	43 20381		Ring, Piston pin retaining
	45 32875		Rod Assy., Connecting (Incl. 18)
	46A 32609		Plate, Lock (Do not use with 32610A locking type screw)
	46 32610		Connecting Rod Bolt (Early Production)
	46 32610A		Bolt, Connecting rod
	48 27241		Lifter, Exhaust valve
	48A 27241		Lifter, Intake valve
	50 33639		Camshaft
	52 29914		Pump Assy., Oil
	60 29745		Extension, Blower housing
	66 30063		Screw, Torx T-30, 1/4-20 x 1/2"
	69 35261		* Gasket, Mounting flange
	70 33653A		Flange Ass'y. (Incl. 58, 72, 75 & 80)
	72 30572		Plug, Oil drain (Incl. 73)
	72A 9556		Oil Drain Plug (Use as required)
	73 28833		* Drain Plug Gasket (Do not use w/plastic plug)
	75 26208		Seal, Oil
	80 30574		Shaft, Mechanical governor
	81 30590A		Washer, Flat
	82 30591		Gear Assy., Governor (Incl. 81)
	83 30588A		Spool, Governor
	84 29193		Ring, Retaining
	86 650488		Screw, 1/4-20 x 1-1/4"
	89 610951		Key, Flywheel
	92 650815		Washer, Belleville
	93 650607		Nut, Flywheel
	103 650489		Screw, 1/4-20 x 5/8"
	110 35349		Ground Wire
	119 33015A		* Gasket, Cylinder head
	120 33016A		Head, Cylinder (Incl. 131)
	125 29313C		Exhaust Valve (STD)(Incl. 151) (Conventional Ports)
	125 29315C		Exhaust Valve (1/32" OS)(Incl. 151) (Conventional Ports)
	126 29314B		Intake Valve (STD)(Incl. 151) (Conventional Ports)
	126 29315C		Intake Valve (1/32" OS)(Incl. 151) (Conventional Ports)
	127 26073		Washer (Not used in late production)
	127 650691		Washer (Used on late production)

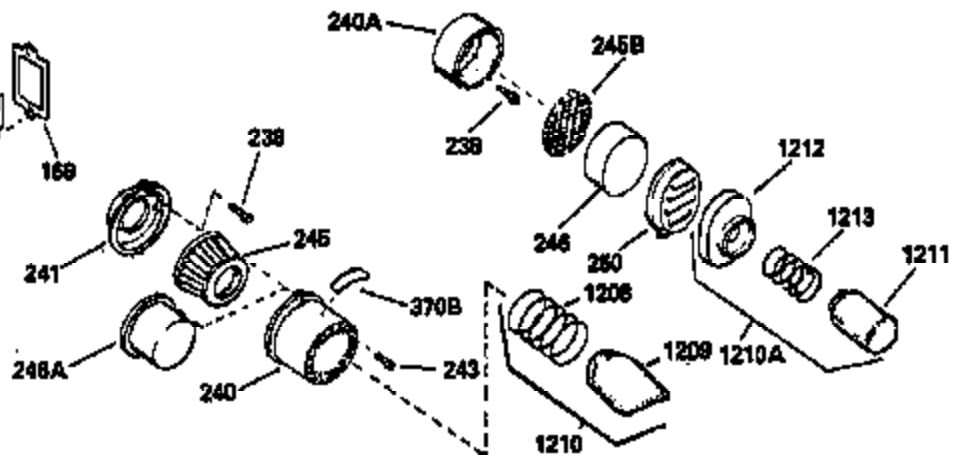
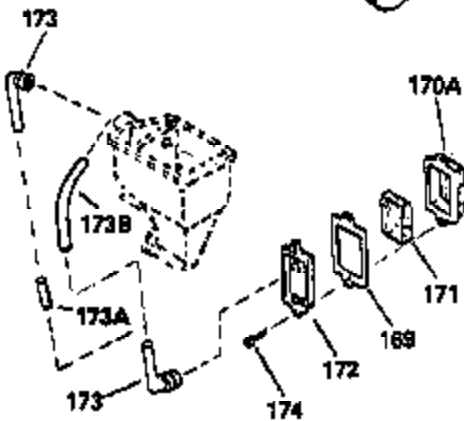
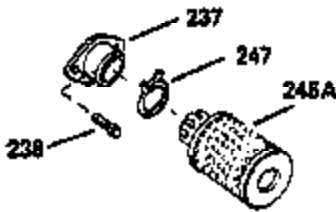
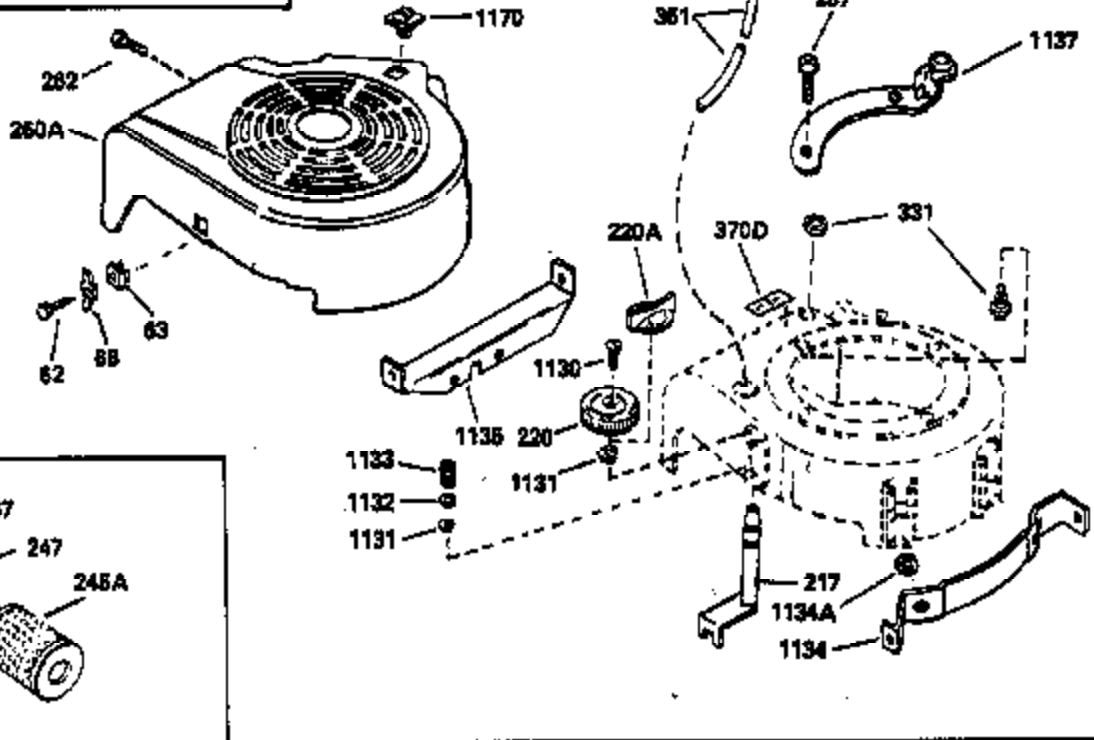
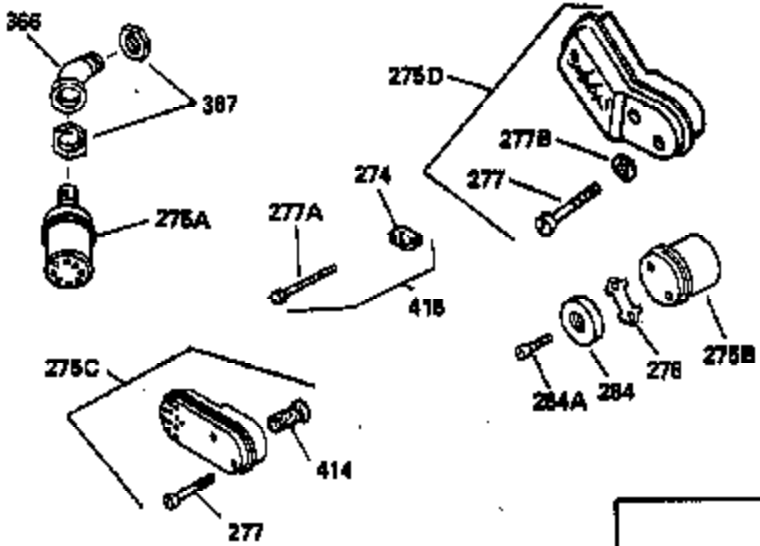
Engine Parts List #1

Ref #	Part Number	Qty	Description
130	6021A		Screw, 5/16-18 x 1-1/2" (Use as required)
130	650818		Screw, 5/16-18 x 1-1/2" (Use as required)
131	650694A		Screw, 5/16-18 x 2" (Use as required)
131	650697A		Screw, 5/16-18 x 2-1/2" (Use as required)
135	33636		Spark Plug (J-8C)
149	31671		Valve Spring Cap) (Used in early production)
150	31672		Spring, Valve
151	31673		Cap, Lower valve spring
169	31619A		* Gasket, Valve spring cover
170	31337A		Body Assy., Breather (Incl. 169 & 171)
171	31410		Element, Breather
174	650128		Screw, 10-24 x 1/2"
178	29752		Nut & Lockwasher, 1/4-28
181	6201		Screw, 1/4-28 x 7/8"
182	6201		Screw, 1/4-28 x 7/8"
184	26756		* Gasket, Carburetor
185	33004A		Pipe, Intake (Incl. 224)
186	32653		Link, Governor spring
200	33131A		Control Bracket (Incl. 203 thru 206)
202	33802		Spring, Compression
203	31342		Spring, Compression
204	650549		Screw, 5-40 x 7/16"
205	650777		Screw, 6-32 x 21/32"
206	610973		Terminal Assy.
207	33133		Link, Governor-to-throttle
209	30200		Screw, 10-24 x 9/16"
210	27793		Clip, Conduit
211	28942		Screw, 10-32 x 3/8"
223	650451		Screw, 1/4-20 x 1"
224	32649A		* Gasket, Intake
238	650707		Screw, 10-32 x 5/8"
239	33051		* Gasket, Air cleaner
240B	33005		Body, Air cleaner
246B	33006		Element, Air cleaner
248	33008		Tube, Air cleaner
250A	33007		Cover, Air cleaner
260	32455B		Housing, Blower NOTE: Replacement hardware may differ when servicing starter assy. or blower housing. Refer to Service Bulletin 508.
261	650561		Screw, 1/4 20 x 5/8"
277	30063		Screw, Torx T-30, 1/4-20 x 1/2" (Use as req.)
285A	590416		Cup, Starter
286	590417		Screen, Starter cup
287	29716		Screw, 1/4-28 x 7/16" (Use as required)
287	30513		Screw & Lockwasher, 1/4-28 x 1/2"
287			Pop Rivet (Purchase locally) (3/16" dia.)
287A	29752		Nut & Lockwasher, 1/4-28 (Use as required)
290	29774		Fuel Line(Braided 8-1/4")(21 cm)(Use as req.)
290	34357		Fuel Line (Epichlorohydrin 6-3/4") (1 7 cm)
290	30705		Fuel Line (Braided 16")(40 cm)(Use as req.)
292	26460		Fuel Line Clamp (Use as required)
300	32170A		Fuel Tank (Incl. 292 & 301)
301	410144B		Fuel Cap (Std.) (Use as required)
301	33032		Fuel Cap (Use as required)
301	34210		Fuel Cap (use as required)
311	27625		Plug, Oil filler (Incl. 312)
312	29673		* Gasket, Oil filler

Ref #	Part Number	Qty	Description
325A	27275		Clip, Hi-tension wire (Use as require d)
	370 34346		Decal, Instruction
370A	550223		Name & Instruction Decal
	375 610964		Magneto (W/Ring Gear) NOTE: This magneto is not available as an assembly. The magneto number is shown for reference purposes only. Order component parts individually, as shown in parts breakdown. Refer to Division 5, Section B, page35 or Fiche 6, Grid F-13 for breakdown)
	377 30547A		Contact Assy., Breaker
	378 30548B		Condenser
	379 631021		Inlet Needle, Seat & Clip Assy.
	380 631699		Carburetor (Incl. 184) (Refer to Division 5, Section A, page 112 or Fiche 6, Grid E-5 for breakdown)
	400 33238D		* Gasket Set (Incl. items marked *)
	420 730225		SAE 30 4-Cycle Engine Oil (Quart)

Ref #	Part Number	Qty	Description
19	31386		Spring, Governor
53	31745		Washer, Tang
55A	33793		PTO Shaft
56	31746		Gear, Worm
57	33537		Ring, Retaining
58	31744		Seal, Oil
59	31747		Washer, Flat
87	650492		Screw, 1/4-20 x 2-1/4"
92	650815		Washer, Belleville
93	650607		Nut, Flywheel
182	6201		Screw, 1/4-28 x 7/8"
261	650561		Screw, 1/4 20 x 5/8"
262	650561		Screw, 1/4-20 x 5/8"
287	29716		Screw, 1/4-28 x 7/16" (Use as require d)
287	30513		Screw & Lockwasher, 1/4-28 x 1/2"
287			Pop Rivet (Purchase locally) (3/16" d ia.)
306	34282		"O" Ring (This "O" ring is required with metal fill tube only when replacement mounting flange with .777 dia. oil fill hole has been used.)
327	32236		Plug, Screen
370A	550223		Name & Instruction Decal
370	34346		Decal, Instruction
379	631021		Inlet Needle, Seat & Clip Assy.
390A	590450A		Side Mount Rewind Starter NOTE: Replacement hardware may differ when servicing starter assy. or blower housing. Refer to Service Bulletin 508. (Refer to Division 5, Section C, page 27 or Fiche 6, Grid G-4 for breakdown)
1171	650737		Screw, 1/4-20 x 1/2"
1175	590441		Bracket Ass'y. (Use as required)
1176	650639		Open End Rivet (Use as required)

ILLUSTRATION SHOWS TYPICAL PARTS ONLY. ORDER BY PART NUMBER. PARTS NOT LISTED ARE SUPPLIED BY OEM.



Ref #	Part Number	Qty	Description
19	31386		Spring, Governor
169	31619A		* Gasket, Valve spring cover
171	31410		Element, Breather
174	650128		Screw, 10-24 x 1/2"
182	6201		Screw, 1/4-28 x 7/8"
238	650707		Screw, 10-32 x 5/8"
243	650152		Screw, 8-32 x 3/8"
262	650561		Screw, 1/4-20 x 5/8"
277	30063		Screw, Torx T-30, 1/4-20 x 1/2" (Use as req.)
287	29716		Screw, 1/4-28 x 7/16" (Use as require d)
287	30513		Screw & Lockwasher, 1/4-28 x 1/2"
287			Pop Rivet (Purchase locally) (3/16" d ia.)
290	29774		Fuel Line(Braided 8-1/4")(21 cm)(Use as req.)
290	34357		Fuel Line (Epichlorohydrin 6-3/4") (1 7 cm)
290	30705		Fuel Line (Braided 16")(40 cm)(Use as req.)
292	26460		Fuel Line Clamp (Use as required)
415	730162		Muffler Adapter Kit (Incl. 274 & 277A) (Inverted Ports)