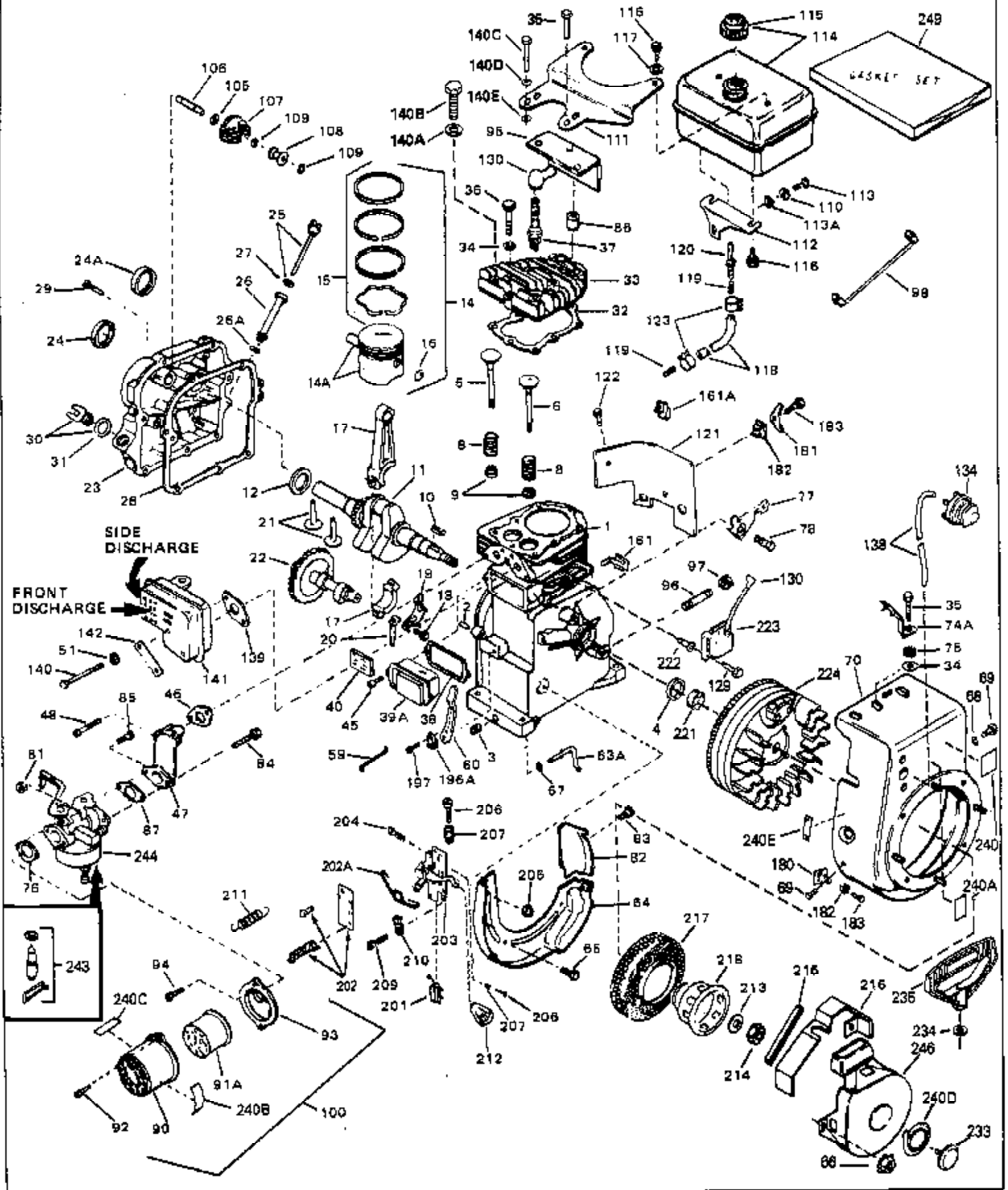


ILLUSTRATION SHOWS TYPICAL PARTS ONLY. ORDER BY PART NUMBER. PARTS NOT LISTED ARE SUPPLIED BY OEM.



Engine Parts List #1

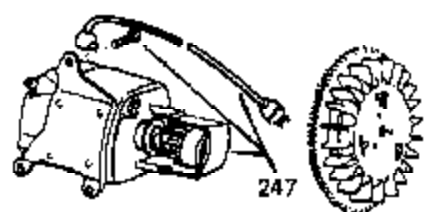
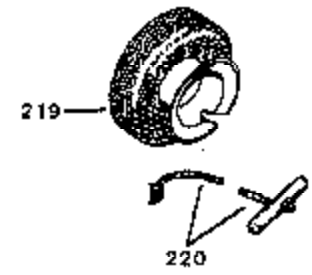
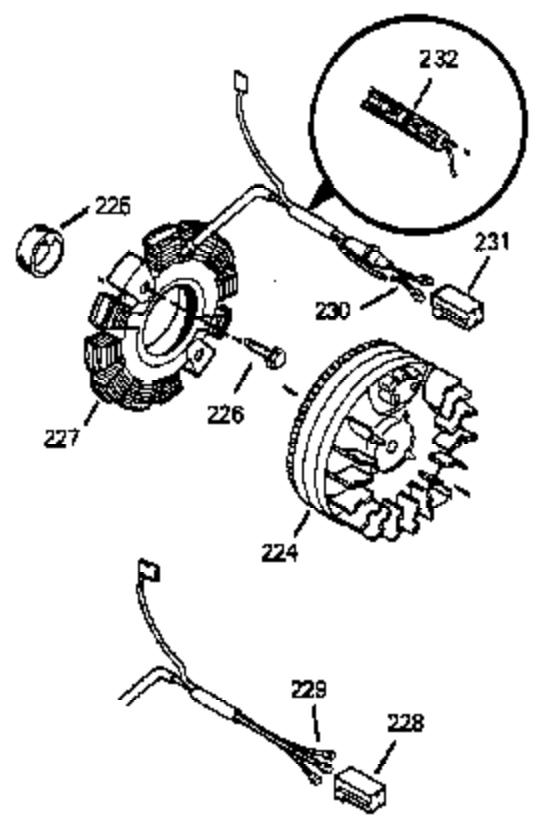
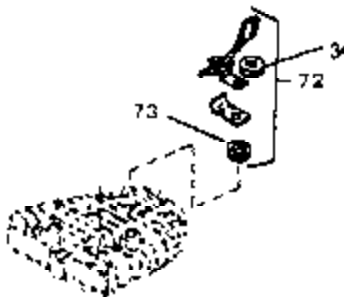
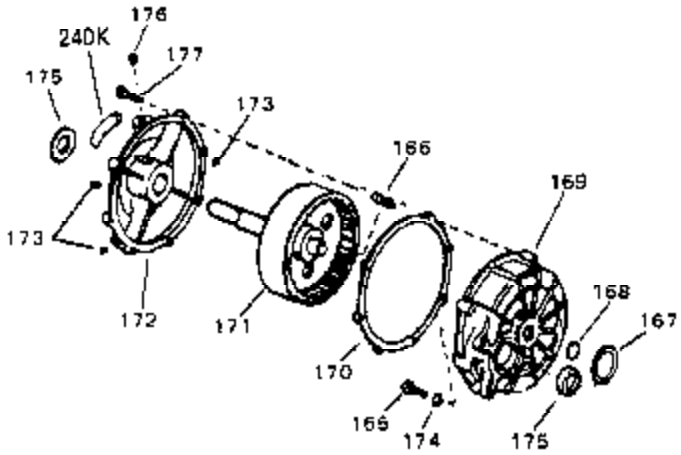
| Ref # | Part Number | Qty | Description |
|-------|-------------|-----|--|
| 1 | 33674B | | Cylinder (Incl. 2, 3 & 4) (2-13/16" B ore) |
| 2 | 26727 | | Pin, Dowel |
| 3 | 27642 | | Oil Drain Plug |
| 3 | 28582 | | Oil Drain Plug |
| 4 | 32600 | | Seal, Oil |
| 5 | 32644A | | Intake Valve (Std.) (Incl. 9) |
| 5 | 32645A | | Intake Valve (1/32" OS) (Incl. 9) |
| 6 | 29313C | | Exhaust Valve (Std.) (Incl. 9) |
| 6 | 29315C | | Exhaust Valve (1/32" OS) (Incl. 9) |
| 8 | 31672 | | Spring, Valve |
| 9 | 31673 | | Cap, Lower valve spring |
| 10 | 610961 | | Key Flywheel |
| 11 | 34740 | | Crankshaft |
| 12 | 32323 | | Washer, Thrust |
| 13 | 33876 | | Gasket, Stator |
| 14 | 34535 | | Piston, Pin & Ring Set (Std.) (2-13/16" Bore) |
| 14 | 34536 | | Piston, Pin & Ring Set (.010" OS) |
| 14 | 34537 | | Piston, Pin & Ring Set (.020" OS) |
| 14A | 33562B | | Piston & Pin Ass'y.(Std.)(Incl.16)(2- 13/16") |
| 14A | 33563B | | Piston & Pin Ass'y. (.010" OS) (Incl. 16) |
| 14A | 33564B | | Piston & Pin Ass'y. (.020" OS) (Incl. 16) |
| 15 | 33567 | | Ring Set (Std.) (2-13/16" Bore) |
| 15 | 33568 | | Ring Set (.010" OS) |
| 15 | 33569 | | Ring Set (.020" OS) |
| 16 | 20381 | | Ring, Piston pin retaining |
| 17 | 32875 | | Rod Assy., Connecting (Incl. 18 & 20) |
| 18 | 32610A | | Bolt, Connecting Rod |
| 20 | 32654 | | Dipper, Oil |
| 21 | 27241 | | Lifter, Valve |
| 22 | 34688 | | Camshaft (Extended) |
| 23 | 34678 | | Cover, Cylinder (Incl. 24, 24A & 106) |
| 24 | 27897 | | Seal, Oil |
| 24A | 30318 | | Seal, Oil |
| 25 | 34676 | | Dipstick (Incl. 27) |
| 26 | 33893A | | Tube Oil filler |
| 27 | 33590 | | "O" Ring |
| 28 | 27677A | | * Gasket, Cylinder cover |
| 29 | 650451 | | Screw, 1/4-20 x 1" (Use as required) |
| 29 | 650488 | | Screw, 1/4-20 x 1-1/4" (Use as required) |
| 32 | 33554A | | Gasket, Cylinder head |
| 33 | 33016A | | Head, Cylinder (Incl. 35) |
| 34 | 26073 | | Washer (Not used on late production) |
| 34 | 650691 | | Washer (Use as required) |
| 35 | 650694A | | Screw, 5/16-18 x 2" (Use as required) |
| 35 | 650818 | | Screw, 5/16-18 x 1-1/2" (Use as required) |
| 35 | 650865 | | Screw, 5/16-18 x 2" (Use as required) |
| 36 | 6021A | | Screw, 5/16-18 x 1-1/2" (As req;not w /650691) |
| 37 | 33636 | | Resistor Spark Plug (RJ-8C) |
| 38 | 31619A | | * Gasket, Breather |
| 39A | 31337A | | Breather Ass'y. (Incl. 38 & 40) |
| 40 | 31410 | | Element, Breather |
| 45 | 650128 | | Screw, 10-24 x 1/2" |
| 46 | 33673A | | * Gasket, Intake (1/32" thick) |
| 47 | 33691 | | Pipe, Intake |
| 48 | 650664 | | Screw, 1/4-20 x 1-19/32" |
| 59 | 32698 | | Link, Governor-to-throttle |
| 60 | 31510 | | Lever, Governor |
| 63A | 31334 | | Rod, Governor (Incl. 67) |

| Ref # | Part Number | Qty | Description |
|-------|-------------|-----|--|
| 64 | 33342 | | Baffle, Blower housing |
| 65 | 650561 | | Screw, 1/4-20 x 5/8" |
| 66 | 29752 | | Nut & Lockwasher Assy., 1/4-28 (As re quired) |
| 66 | | | Pop Rivet (Purchase locally)(Use as r equired) |
| 67 | 28277 | | Washer, Flat |
| 68 | 650168 | | Washer, Flat |
| 69 | 29212 | | Screw, 1/4-28 x 7/16" |
| 70 | 34813A | | Blower Housing (For electric starter) NOTE: In original production some starters are riveted to the blower housing. Replacement housing has threaded studs. Order four nuts (29752) for remounting of starter. |
| 77 | 34212 | | Bracket, Holddown |
| 78 | 30200 | | Screw, 10-24 x 9/16" |
| 81 | 29752 | | Nut & Lockwasher Assy., 1/4-28 |
| 82 | 33341 | | Extension, Baffle |
| 83 | 650701 | | Screw, 8-18 x 7/16" |
| 84 | 6201 | | Screw, 1/4-28 x 7/8" |
| 85 | 650870 | | Screw, 1/4-28 x 1-11/16" |
| 86 | 28212 | | Spacer |
| 87 | 26756 | | * Gasket, Carburetor |
| 94 | 28820 | | Screw, 10-32 x 1/2" |
| 98 | 34241 | | Ground Wire |
| 100 | 730127 | | Air Cleaner Ass'y. (Incl.76,76A,90A,91A,92,93,94, & 221A)(Use as required) |
| 105 | 30590A | | Washer, Flat |
| 106 | 30574 | | Shaft, Mechanical governor |
| 107 | 30591 | | Gear Assy.,Governor (Incl. 105) |
| 108 | 30588A | | Spool Governor |
| 109 | 29193 | | Ring, Retaining |
| 111 | 28371B | | Fuel Tank Bracket |
| 113 | 650561 | | Screw, 1/4-20 x 5/8" |
| 113 | 650805 | | Screw, 1/4-20 x 11/16" |
| 113A | 650675 | | Washer, Flat |
| 114 | 34711 | | Fuel Tank (Incl. 115 & 123) |
| 115 | 410144B | | Fuel Cap (Std.)(Wh.Plastic)(1-1/2" I. D.) |
| 115 | 33032 | | Fuel Cap (Red Plastic)(1-3/16" I.D.) (Spurt resistant, Low profile) |
| 115 | 34210 | | Fuel Cap (Red Plastic)(1-3/16" I.D.) (Spurt resistant, High profile) |
| 116 | 650665 | | Screw, 1/4-15 x 7/8" |
| 118 | 30795 | | Line, Fuel (Braided 16") |
| 118 | 30962 | | Line, Fuel (Braided 32") |
| 118 | 29774 | | Line, Fuel (Braided 8.25") |
| 119 | 28819 | | Spring, Fuel line (Use as required) |
| 121 | 29745 | | Extension, Blower housing |
| 122 | 650128 | | Screw, 10-24 x 1/2" |
| 123 | 26460 | | Clamp, Fuel line (Use as required) |
| 129 | 650489 | | Screw, 1/4-20 x 5/8" |
| 130 | 610118 | | Cover, Spark plug |
| 134 | 34814 | | Primer Assy. |
| 138 | 32180C | | Line, Primer |
| 139 | 33670A | | * Gasket, Muffler |
| 140B | 30063 | | Screw, 1/4-20 x 1/2" |
| 140C | 650628A | | 5/16-18 x 2-3/8" |
| 140D | 26073 | | Washer, flat |
| 140 | 650327 | | Screw, 1/4-20 x 2-1/2" |

| Ref # | Part Number | Qty | Description |
|-------|-------------|-----|---|
| 140 | 30063 | | Screw, 1/4-20 x 1/2" (Use as required) |
| 140A | 8345 | | Flatwasher, 1/4" |
| 141 | 33671A | | Muffler (Side Discharge) |
| 180 | 34126 | | Bracket, Grommet mounting |
| 182 | 28545 | | Grommet, Plastic |
| 183 | 650760 | | Screw, 8-32 x 3/8" |
| 196A | 31335 | | Clamp, Governor lever |
| 197 | 650548 | | Screw, 8-32 x 5/16" |
| 201 | 610973 | | Terminal Assy. (Use as required) |
| 203 | 33858A | | Control Bracket(Incl.201,204,205,206, 207) |
| 204 | 650139 | | Screw, 8-32 x 1/2" (Use as required) |
| 204 | 650152 | | Screw, 8-32 x 3/8" (Use as required) |
| 204 | 30200 | | Screw, 10-24 9/16" (Use as required) |
| 205 | 30322 | | Nut & Lockwasher (Use as required) |
| 206 | 650688 | | Screw, 10-32 x 1" (Used on early production) |
| 206 | 650549 | | Screw, 5-40 x 7/16" (Used on late production) |
| 207 | 32924 | | Compression Spring (Used on early production) |
| 207 | 31342 | | Compression Spring (Used on late production) |
| 211 | 31426 | | Spring, Extension |
| 212 | 32410 | | Knob, Speed control |
| 213 | 650815 | | Washer, Belleville |
| 214 | 650816 | | Nut, Flywheel |
| 215 | 32576 | | Seal, Snow guard |
| 216 | 31680 | | Guard, Starter |
| 217 | 33668 | | Screen, Starter |
| 218 | 34694 | | Cup, Starter |
| 221 | 34080 | | Spacer, Flywheel key |
| 222 | 650872 | | Stud, Solid State Assy. |
| 240 | 34346 | | Decal, Instruction |
| 240A | 34170 | | Decal, Instruction |
| 240E | 35344 | | Decal, Control |
| 243 | 631021 | | Inlet Needle, Seat & Clip Assy. |
| 244 | 632107 | | Carburetor (Incl. 87) (Refer to Division 5, Section A, page 168 for breakdown) |
| 245 | 611025 | | Magneto NOTE: The complete magneto is not available as an assembly. The magneto number is shown for reference purposes only. Order component parts individually, as shown in partslist. (Refer to Division 5, Section B, page 39 for breakdown) |
| 246 | 590473 | | Rewind Starter (Refer to Division 5, Section C, page 29 for breakdown) |
| 249 | 33683B | | * Gasket Set (Incl. items marked *) |

| Ref # | Part Number | Qty | Description |
|-------|-------------|-----|---|
| | 13 33876 | | Gasket, Stator |
| | 49 34134 | | Cover, Carburetor |
| | 52 33333 | | Bracket, Carburetor cover |
| | 53 650257 | | Screw, 8-32 x 5/16" |
| | 54 650732 | | Screw, 10-24 x 3/8" |
| | 94 28820 | | Screw, 10-32 x 1/2" |
| | 98A 35285 | | Ground Wire |
| | 100A 730164 | | Air Cleaner Ass'y. (Incl. 76, 90, 91, 92, 93, 94, & 221B) (Use as required) |
| | 111 28371B | | Fuel Tank Bracket |
| | 112B 34182 | | Fuel Tank Bracket |
| | 113A 650675 | | Washer, Flat |
| | 131 34582 | | Rod, Choke |
| | 132 34583 | | Bracket, Choke |
| | 133 35438 | | Knob, Choke |
| | 138 32180C | | Line, Primer |
| | 139 33670A | | * Gasket, Muffler |
| | 140 650327 | | Screw, 1/4-20 x 2-1/2" |
| | 140 30063 | | Screw, 1/4-20 x 1/2" (Use as required) |
| | 141D 391026 | | Muffler (Incl. 143, 144 & 145) (This spark arrester muffler can be used on any model.) |
| | 157 730165 | | Muff.Adapter Kit (Incl.139,140)(As required) |
| | 201 610973 | | Terminal Assy. (Use as required) |
| | 240G 34144 | | Decal, Primer |
| | 240G 34589 | | Decal, "Choke " |
| | 240J 34414 | | Decal, Warning |
| | 245 611025 | | Magneto NOTE: The complete magneto is not available as an assembly. The magneto number is shown for reference purposes only. Order component parts individually, as shown in partslist. (Refer to Division 5, Section B, page 39 for breakdown) |

ILLUSTRATION SHOWS TYPICAL PARTS ONLY. ORDER BY PART NUMBER. PARTS NOT LISTED ARE SUPPLIED BY OEM.



OPTIONAL 110-120
VOLT STARTER
MOTOR KIT
(SEE NOTE 2 AT END OF THE SECTION)

| Ref # | Part Number | Qty | Description |
|-------|-------------|-----|---|
| | 13 33876 | | Gasket, Stator |
| | 34 26073 | | Washer (Not used on late production) |
| | 34 650691 | | Washer (Use as required) |
| | 38 31619A | | * Gasket, Breather |
| | 40 31410 | | Element, Breather |
| | 45 650128 | | Screw, 10-24 x 1/2" |
| | 197 650548 | | Screw, 8-32 x 5/16" |
| | 219 34788 | | Pulley, Starter rope |
| | 225 35189 | | Spacer, Coil Assy. |
| | 241 30547A | | Contact Assy., Breaker |
| | 242 30548B | | Condenser |
| | 245 611025 | | Magneto NOTE: The complete magneto is not available as an assembly. The magneto number is shown for reference purposes only. Order component parts individually, as shown in partslist. (Refer to Division 5, Section B, page 39 for breakdown) |
| | 247 33290D | | Starter Motor Kit (110-120 Volt) This 110-120 volt starter motor kit may have been added to this engine. It can be added only if cylinder has drilled and tapped starter mounting bosses and a ring gear flywheel. Refer to service number stamped on end cap of motor, or on decal, for identification. Ref |