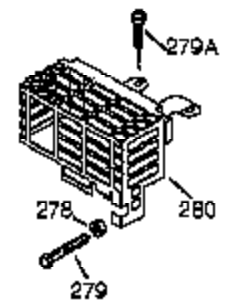
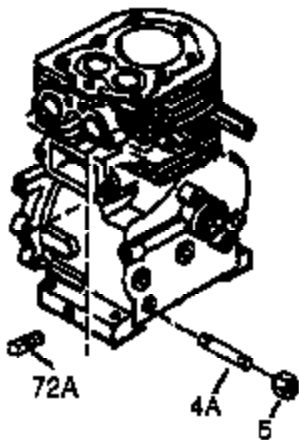
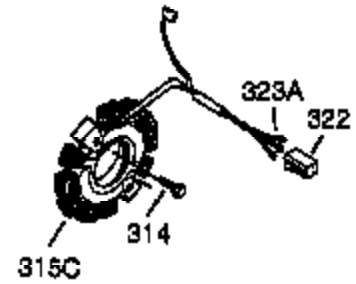
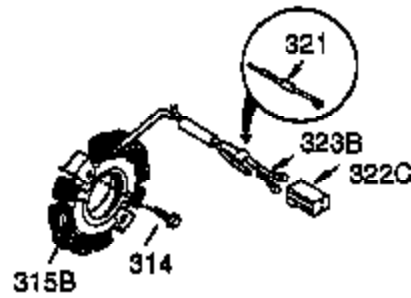
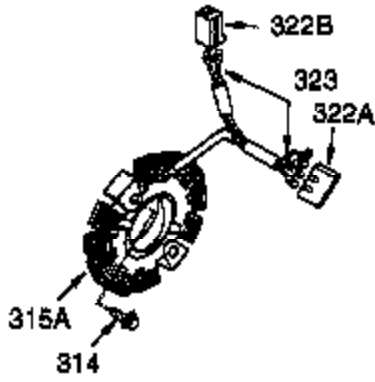


Ref #	Part Number	Qty	Description
1	35371	1	Cylinder (Incl. 2 & 20)
2	27652	2	Dowel Pin
3	650820	2	Screw, 1/4-20 x 1/2"
4	0	1	Oil Drain Extension (Purchase Locally)
5	30969	1	Extension Cap
14	28277	1	Washer
15A	30700	1	Governor Yoke
15B	650494	1	Screw, 6-40 x 5/16"
15	30699C	1	Governor Rod (Incl. 15A & 15B)
16	33454A	1	Governor Lever
17	29916	1	Governor Lever Clamp
18	651028	1	Screw, T-15, 8-32 x 7/16"
19	34663	1	Throttle Spring
20	35319	1	Oil Seal
25	37706	1	Blower Housing Baffle (Incl. 325)
26	650561	2	Screw, 1/4-20 x 19/32"
28	30322	1	Lock Nut, 8-32
30	35372A	1	Crankshaft
35	29826	1	Screw, 10-32 x 3/4"
36	29918	1	Lock Washer
37	29216	1	Lock Nut, 10-32
38	29642	1	Retaining Ring
40	35776A	1	Piston, Pin & Ring Set (Std.)
40	35777A	1	Piston, Pin & Ring Set (.010" OS)
40	35778A	1	Piston, Pin & Ring Set (.020" OS)
41	35773A	1	Piston & Pin Ass'y. (Std.) (Incl. 43)
41	35774A	1	Piston & Pin Ass'y. (.010" OS) (Incl. 43)
41	35775A	1	Piston & Pin Ass'y. (.020" OS) (Incl. 43)
42	35779	1	Ring Set (Std.)
42	35780	1	Ring Set (.010" OS)
42	35781	1	Ring Set (.020" OS)
43	35772	2	Piston Pin Retaining Ring
45	36898	1	Connecting Rod Ass'y. (Incl. 47 & 49)
47	651033	2	Connecting Rod Bolt
48	34034	2	Valve Lifter
49	36896	1	Oil Dipper
50	35375	1	Camshaft (MCR)
60	33273A	1	Blower Housing Extension
65	650128	1	Screw, 10-24 x 1/2"
69	37342	1	* Cylinder Cover Gasket
70	35376A	1	Cylinder Cover (Incl. 71, 75 & 80)
71	35377	1	Crankshaft Bushing
75	35319	1	Oil Seal
80	37587	1	Governor Shaft
81	651080	1	Washer
82	37588	1	Governor Gear Ass'y. (Incl. 81)
83	30588A	1	Governor Spool
84	29193	1	Retaining Ring
86	650833	7	Screw, 1/4-20 x 1-3/16"
87	650832	1	Screw, 1/4-20 x 1-11/16"
89	32589	1	Flywheel Key
90	611094	1	Flywheel (W/Ring Gear)
92	650880	1	Lock Washer
93	650881	1	Flywheel Nut
100	35135A	1	Solid State Ignition (Incl. 101)
101	610118	1	Spark Plug Cover
102	651024	2	Solid State Mounting Stud
103	651007	2	Screw, T-15, 10-24 x 15/16"

Ref #	Part Number	Qty	Description
110	35187	1	Ground Wire
110A	37047	1	Ground Wire
119	36451	1	* Cylinder Head Gasket
120	36449	1	Cylinder Head
125	27878A	1	Exhaust Valve (Std.) (Incl. 151)
125	27880A	1	Exhaust Valve (1/32" OS) (Incl. 151)
126	34035	1	Intake Valve (Std.) (Incl. 151)
127	650691	5	Washer
128	650690	3	Belleville Washer
130C	650727	2	Screw, 5/16-18 x 1-25/32"
130B	651055	2	Screw, 5/16-18 x 39/64"
130	6021A	4	Screw, 5/16-18 x 1-1/2"
130A	650694A	3	Screw, 5/16-18 x 2"
135	35395	1	Resistor Spark Plug (RJ19LM)
139	33369	1	Governor Gear Bracket
140	650836	2	Screw, 10-24 x 1/2"
149	27882	1	Valve Spring Cap
149A	35862	1	Valve Spring Cap
150	27881	2	Valve Spring
151	32581	2	Valve Spring Keeper
169	27896A	2	* Valve Cover Gasket
170	28423	1	Breather Body
171	28424	1	Breather Element
172	28425	1	Valve Cover
173	35350	1	Breather Tube
174	650128	2	Screw, 10-24 x 1/2"
178	29752	2	Nut & Lock Washer, 1/4-28
182	30088A	2	Screw, 1/4-28 x 1"
183	34587A	1	Choke Bracket
184	33263	1	* Carburetor To Intake Pipe Gasket
185	33877	1	Intake Pipe
186B	36652	1	Choke Spring
186	34667	1	Governor Link
200	34677	1	Control Bracket (Incl.19,203,204,206)
203	31342	1	Compression Spring
204	651029	1	Screw, T-10, 5-40 x 7/16"
206	610973	1	Terminal
207	33878	1	Throttle Link
209	650821	2	Screw, 10-32 x 1/2"
215	35440	1	Control Knob
219	34586	1	Choke Rod
220	35438	1	Choke Knob
222	28820	2	Screw, 10-32 x 1/2"
223	650378	2	Screw, T-30, 5/16-18 x 1-3/32"
224	27915A	1	* Intake Pipe Gasket
260	35447A	1	Blower Housing
261	650788	2	Screw, 5/16-18 x 3/4"
262	651084	2	Screw, 5/16-18 x 9/16"
264A	650802	1	Screw, 1/4-20 x 5/8"
265	33272D	1	Cylinder Head Cover
275	35056	1	Muffler
276	31588	1	Locking Plate
277	651002	2	Screw, 5/16-18 x 4-3/16"
281	33013	1	Starter Bubble Cover
282	650760	1	Screw, 8-32 x 3/8"
285	35985B	1	Starter Cup
287	29752	4	Nut & Lock Washer, 1/4-28
291	30962	1	Fuel Line

Ref #	Part Number	Qty	Description
292	26460	4	Fuel Line Clamp
298	650665	2	Screw, 1/4-15 x 3/4"
300	34186A	1	Fuel Tank (Incl. 292 & 301)
301	35355	1	Fuel Cap
305	35554	1	Oil Fill Tube
307	35499	1	"O" Ring
308	35540	1	Fill Tube Clip
310	36205	1	Dipstick
315	611104	1	Alternator Coil (3/5 Split)(Incl. 321 -323)
323	611118	2	Terminal
325	29443	1	Wire Clip
328	35062	2	Ignition Key
329	610973	1	Terminal
335	36547	1	Carburetor Cover
336	650765	1	Screw, 10-32 x 1/2"
338	28942	2	Screw, 10-32 x 3/8"
340	34154	1	Fuel Tank Bracket
341	34155	1	Fuel Tank Bracket
342	650561	1	Screw, 1/4-20 x 19/32"
343	35079A	1	Key Switch Bracket (Incl. 343A)
343A	651060	1	Screw, 10-32 x 23/64"
350	570682A	1	Primer Ass'y.
351	32180C	1	Primer Line
355	590574	1	Starter Handle (Mitten Grip)
364	37659	1	Carburetor Cover Bracket
365	650767	2	Screw, 8-32 x 27/64"
370K	36695	1	Starter Decal
380	640054	1	Carburetor (Incl. 184)
390	590749	1	Rewind Starter (NOTE: This engine could have been built with 590733 starter.)
400	36452B	1	* Gasket Set (Incl. items marked PK in notes)
420	730226A	1	SAE 5W/30 4-Cycle Engine Oil (Quart)



Ref #	Part Number	Qty	Description
5	30969	1	Extension Cap
92	650880	1	Lock Washer
93	650881	1	Flywheel Nut
130C	650727	2	Screw, 5/16-18 x 1-25/32"
285	35985B	1	Starter Cup
287	29752	4	Nut & Lock Washer, 1/4-28
314	650873	2	Screw, 1/4-20 x 3/4"
321	611161	1	Diode
322	611142	1	Connector Body
323	611118	2	Terminal
355	590574	1	Starter Handle (Mitten Grip)
390	590749	1	Rewind Starter (NOTE: This engine could have been built with 590733 starter.)