

Engine Parts List #1

Ref #	Part Number	Qty	Description
1	35966	1	Cylinder (Incl. 2 & 20)
2	27652	2	Dowel Pin
15	30699C	1	Governor Rod (Incl. 15A & 15B)
15B	650494	1	Screw, 6-40 x 5/16"
15A	30700	1	Governor Yoke
16	33454	1	Governor Lever
17	29916	1	Governor Lever Clamp
18	650548	1	Screw, 8-32 x 5/16"
20	35319	1	Oil Seal
25A	36244	1	Air Baffle
25	36460	1	Blower Housing Baffle
26	650561	2	Screw, 1/4-20 x 5/8"
28	30322	1	Lock Nut, 8-32
30	35441A	1	Crankshaft
35	29826	1	Screw, 10-32 x 3/4"
37	29216	1	Lock Nut, 10-32
38	29642	1	Retaining Ring
40	34552	1	Piston, Pin & Ring Set (Std.)
40	34553	1	Piston, Pin & Ring Set (.010" OS)
40	34554	1	Piston, Pin & Ring Set (.020" OS)
41	34329A	1	Piston & Pin Ass'y. (Std.) (Incl. 43)
41	34330A	1	Piston & Pin Ass'y. (.010" OS) (Incl. 43)
41	34331A	1	Piston & Pin Ass'y. (.020" OS) (Incl. 43)
42	34332	1	Ring Set (Std.)
42	34333	1	Ring Set (.010" OS)
42	34334	1	Ring Set (.020" OS)
43	27888	2	Piston Pin Retaining Ring
45	35373A	1	Connecting Rod Ass'y. (Incl.46,47,49)
46	650908	1	Connecting Rod Bolt
47	650882	1	Connecting Rod Bolt
48	34034	2	Valve Lifter
49	35374	1	Oil Dipper
50	35375	1	Camshaft (MCR)
60	33273A	1	Blower Housing Extension
65	650128	1	Screw, 10-24 x 1/2"
69	35262	1	* Cylinder Cover Gasket
70	35376	1	Cylinder Cover (Incl. 71, 75 & 80)
71	35377	1	Crankshaft Bushing
72	27642	2	Oil Drain Plug
80	31845	1	Governor Shaft
81	30590A	1	Washer
82	35378	1	Governor Gear Ass'y. (Incl. 81)
83	30588A	1	Governor Spool
84	29193	1	Retaining Ring
86	650833	7	Screw, 1/4-20 x 1-3/16"
87	650832	1	Screw, 1/4-20 x 1-11/16"
89	32589	1	Flywheel Key
90	611090	1	Flywheel
92	650880	1	Lock Washer
93	650881	1	Flywheel Nut
94	33450	1	Lock Nut, 10-32
95	30886A	1	Extension Spring
96	30845A	1	R.P.M. Adjusting Bolt
100	35135	1	Solid State Ignition
102	650872	2	Solid State Mounting Stud
103	650814	2	Screw, Torx T-15, 10-24 x 1"
110A	35987	1	Oil Shut-Down Wire & Terminal
110	36462	1	Ground Wire

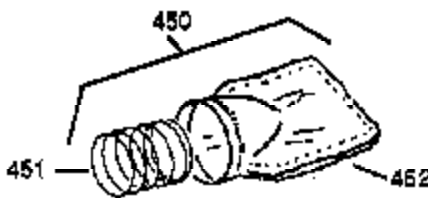
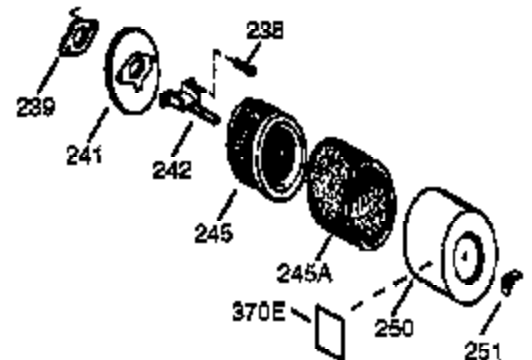
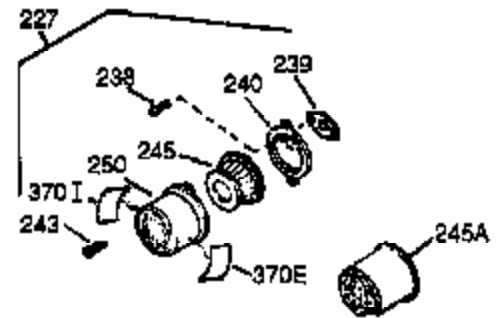
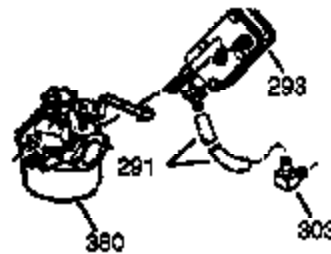
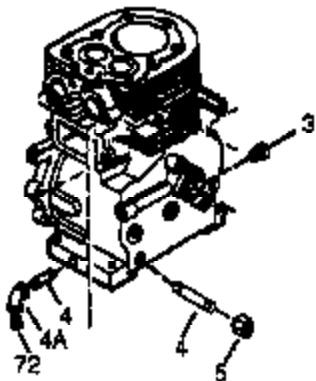
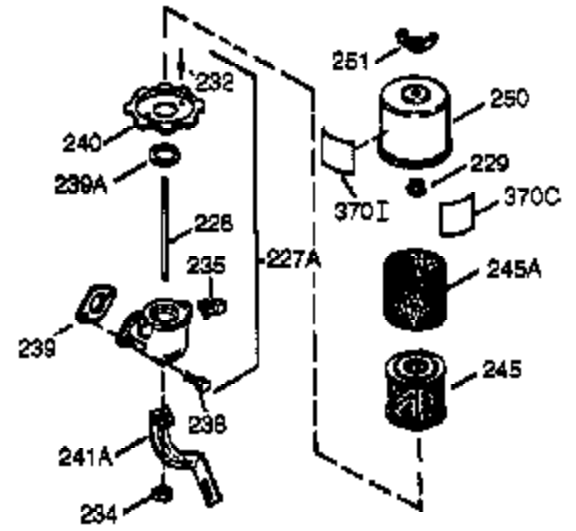
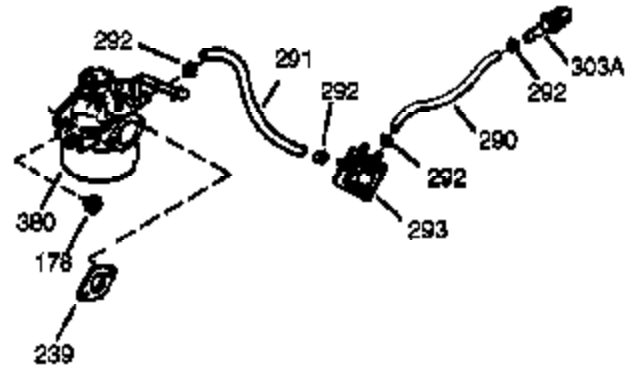
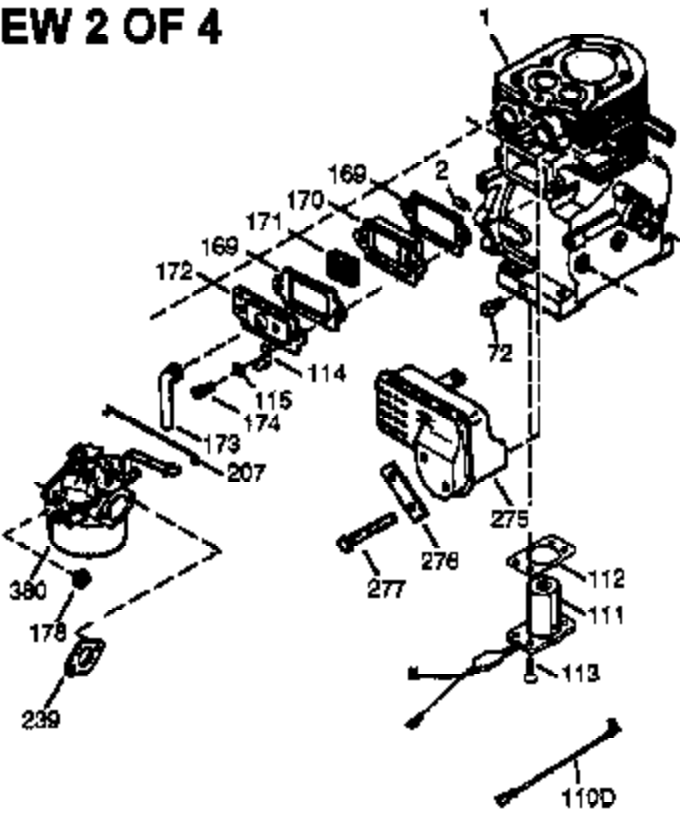
Engine Parts List #1

Ref #	Part Number	Qty	Description
	119 36448	1	* Cylinder Head Gasket
	120 36449	1	Cylinder Head
	125 27880A	1	Exhaust Valve (1/32" OS) (Incl. 151)
	125 27878A	1	Exhaust Valve (Std.) (Incl. 151)
	126 34035	1	Intake Valve (Std.) (Incl. 151)
	126 34036	1	Intake Valve (1/32" OS) (Incl. 151)
	127 650691	9	Washer
	128 650690	7	Belleville Washer
	129 650727	2	Screw, 5/16-18 x 1-3/4"
	130 650694A	7	Screw, 5/16-18 x 2"
	131A 650738	1	Screw, 1/4-20 x 5/8"
	135 33636	1	Resistor Spark Plug (RJ17LM)
	139 33369	1	Governor Gear Bracket
	140 650836	2	Screw, 10-24 x 1/2"
	149A 35862	1	Valve Spring Cap
	149 27882	1	Valve Spring Cap
	150 27881	2	Valve Spring
	151 32581	2	Valve Spring Keeper
	169 27896A	2	* Valve Cover Gasket
	170 28423	1	Breather Body
	171 28424	1	Breather Element
	172 28425	1	Valve Cover
	173 35350	1	Breather Tube
	174 650128	1	Screw, 10-24 x 1/2"
	174A 650597	1	Screw, 10-24 x 5/8"
	178 29752	2	Nut & Lock Washer, 1/4-28
	182 30088A	2	Screw, 1/4-28 x 1"
	184 33263	1	* Carburetor To Intake Pipe Gasket
	185 33877	1	Intake Pipe
	200 34677	1	Control Bracket
	206 610973	1	Terminal
	207 33878	1	Throttle Link
	209 650821	2	Screw, 10-32 x 1/2"
	215 32410	1	Control Knob
	223 650378	2	Screw, Torx T-30, 5/16-18 x 1-1/8"
	224 27915A	1	* Intake Pipe Gasket
	260 36468	1	Blower Housing
	261 650788	2	Screw, 5/16-18 x 3/4"
	262 29747B	2	Screw, Torx T-40, 5/16-24 x 21/32"
	264 650802	1	Screw, 1/4-20 x 5/8"
	265 33272B	1	Cylinder Head Cover
	275 34185A	1	Muffler
	276 31588	1	Locking Plate
	277 650729	2	Screw, 5/16-18 x 3-3/16"
	281 33013	1	Starter Bubble Cover
	282 650760	1	Screw, 8-32 x 3/8"
	285 35985	1	Starter Cup
	286 35446	1	Starter Screen
	287 29752	4	Nut & Lock Washer, 1/4-28
	311 35941	1	Oil Fill Plug (Incl. 312)
	312 29673	1	Oil Fill Plug Gasket
	324 33177	1	Terminal
	325 29443	1	Wire Clip
	327 35392	1	Starter Plug
	342 30063	1	Screw, Torx T-30, 1/4-20 x 1/2"
	370 36261	1	Instruction Decal
	370C 33107	1	Control Decal
	370B 35274	1	Instruction Decal

Ref #	Part Number	Qty	Description
370A	34686	1	Name Decal
380	632351	1	Carburetor (Incl. 184)
390	590671	1	Rewind Starter (NOTE: This engine could have been built with 590704 starter. Refer to the design of the air intake louvers for part identification. Individual starter parts do not interchange.)
400	36450B	1	* Gasket Set (Incl. items marked PK i n notes) Incl. part #'s 27272A (1), 27896A (2), 27915A (1), 29673 (1), 33263 (1), 33629 (1), 34698A (1), 35262 (1), 36448 (1)
420	730225	1	SAE 30 4-Cycle Engine Oil (Quart)

ILLUSTRATION SHOWS TYPICAL PARTS ONLY. ORDER BY PART NUMBER. PARTS NOT LISTED ARE SUPPLIED BY OEM.

VIEW 2 OF 4

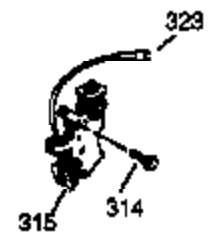
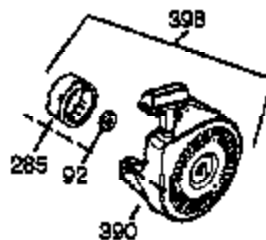
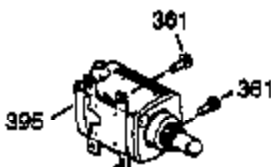
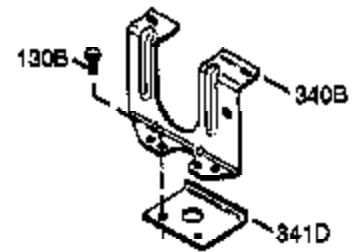
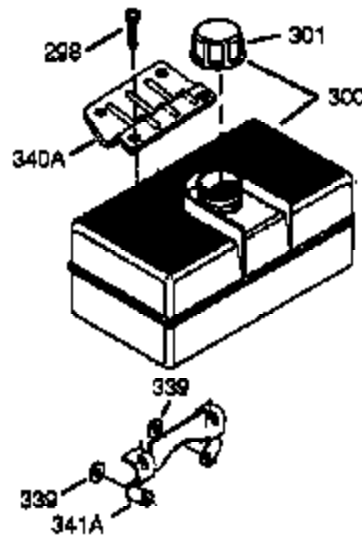
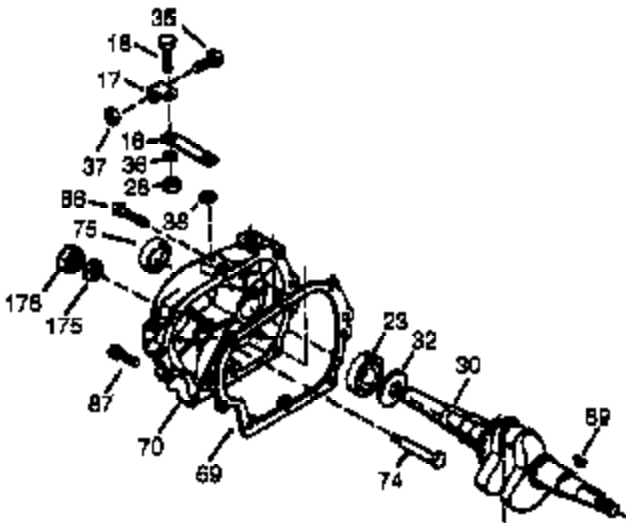
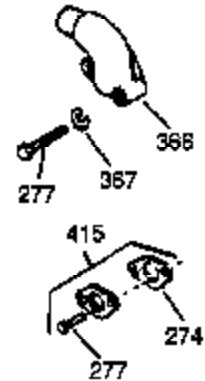
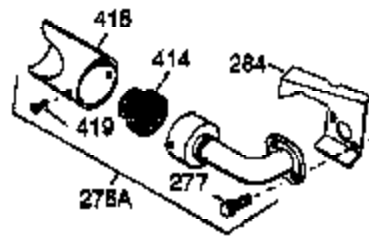
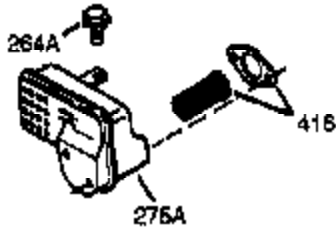
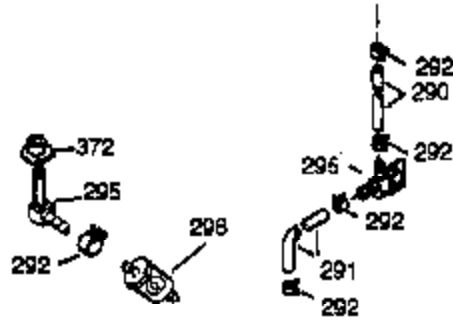
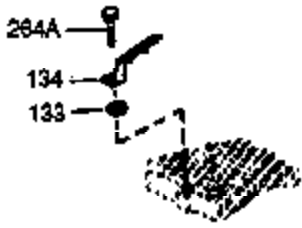


Engine Parts List #2

Ref #	Part Number	Qty	Description
	1 35966	1	Cylinder (Incl. 2 & 20)
	2 27652	2	Dowel Pin
	72 27642	2	Oil Drain Plug
110A	35987	1	Oil Shut-Down Wire & Terminal
	111 611162	1	Low Oil Shut-Down Switch (Incl. 112)
	112 35967	1	Low Oil Shut-Down Gasket
	113 650950	4	Screw, Torx T-25, 10-24 x 5/8"
	114 33932	1	Ground Terminal
	115 650518	1	Lock Washer
	129 650727	2	Screw, 5/16-18 x 1-3/4"
131A	650738	1	Screw, 1/4-20 x 5/8"
	169 27896A	2	* Valve Cover Gasket
	170 28423	1	Breather Body
	171 28424	1	Breather Element
	172 28425	1	Valve Cover
	174 650128	1	Screw, 10-24 x 1/2"
	178 29752	2	Nut & Lock Washer, 1/4-28
	207 33878	1	Throttle Link
	238 28820	2	Screw, 10-32 x 1/2"
	239 27272A	1	* Air Cleaner Gasket
	240 33266	1	Air Cleaner Body
	242 33267	1	Air Cleaner Bracket
	245 33268	1	Air Cleaner Filter
	250 33269A	1	Air Cleaner Cover
	251 650513	1	Wing Nut, 1/4-20
	264 650802	1	Screw, 1/4-20 x 5/8"
	275 34185A	1	Muffler
	276 31588	1	Locking Plate
	277 650729	2	Screw, 5/16-18 x 3-3/16"
	290 30705	1	Fuel Line
	292 26460	2	Fuel Line Clamp
370C	33107	1	Control Decal
	380 632351	1	Carburetor (Incl. 184)
	420 730225	1	SAE 30 4-Cycle Engine Oil (Quart)

ILLUSTRATION SHOWS TYPICAL PARTS ONLY. ORDER BY PART NUMBER. PARTS NOT LISTED ARE SUPPLIED BY OEM.

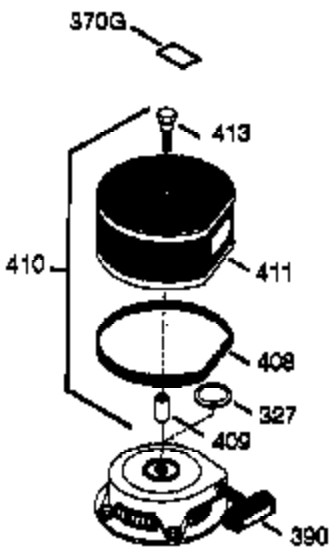
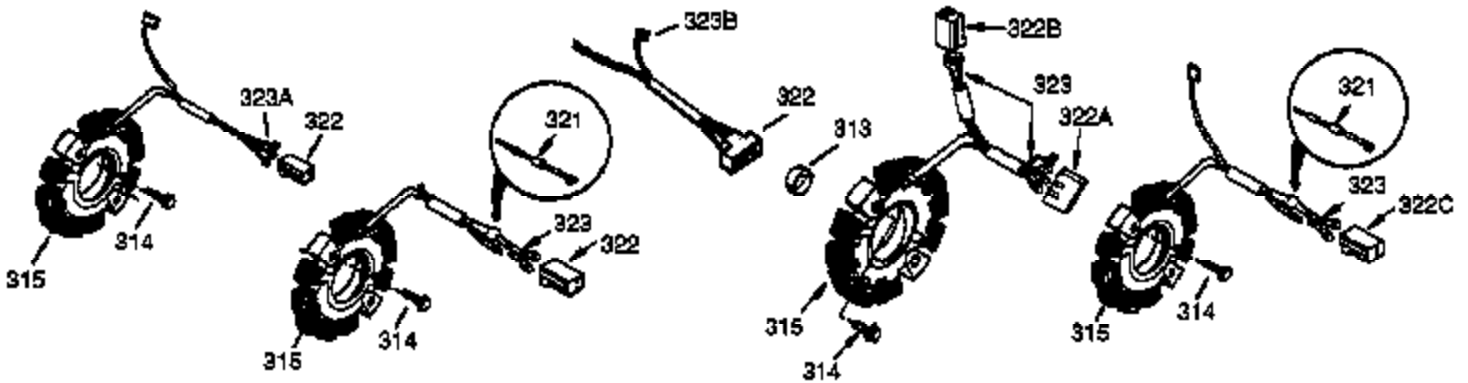
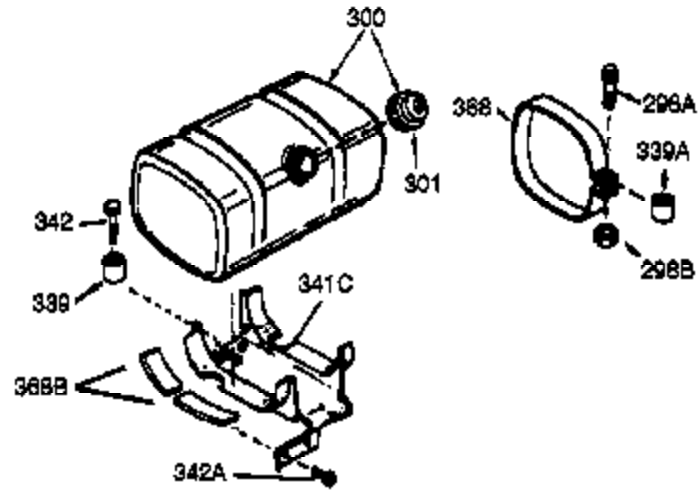
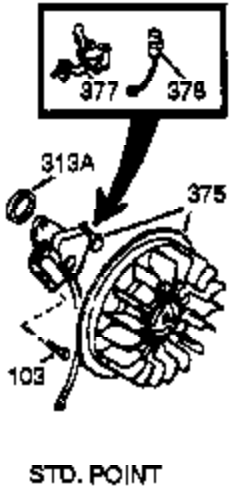
VIEW 3 OF 4



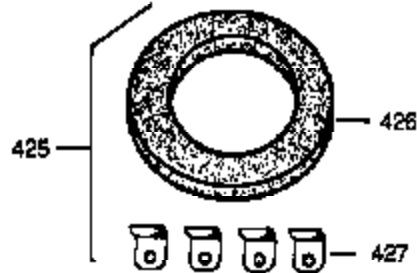
Ref #	Part Number	Qty	Description
16	33454	1	Governor Lever
17	29916	1	Governor Lever Clamp
18	650548	1	Screw, 8-32 x 5/16"
28	30322	1	Lock Nut, 8-32
30	35441A	1	Crankshaft
35	29826	1	Screw, 10-32 x 3/4"
36	29918	1	Lock Washer
37	29216	1	Lock Nut, 10-32
38	29642	1	Retaining Ring
69	35262	1	* Cylinder Cover Gasket
70	35376	1	Cylinder Cover (Incl. 71, 75 & 80)
75	35319	1	Oil Seal
86	650833	7	Screw, 1/4-20 x 1-3/16"
87	650832	1	Screw, 1/4-20 x 1-11/16"
89	32589	1	Flywheel Key
92	650880	1	Lock Washer
110A	35987	1	Oil Shut-Down Wire & Terminal
129	650727	2	Screw, 5/16-18 x 1-3/4"
131A	650738	1	Screw, 1/4-20 x 5/8"
264	650802	1	Screw, 1/4-20 x 5/8"
277	650729	2	Screw, 5/16-18 x 3-3/16"
285	35985	1	Starter Cup
290	30705	1	Fuel Line
292	26460	2	Fuel Line Clamp
390	590671	1	Rewind Starter (NOTE: This engine could have been built with 590704 starter. Refer to the design of the air intake louvers for part identification. Individual starter parts do not interchange.)
420	730225	1	SAE 30 4-Cycle Engine Oil (Quart)

ILLUSTRATION SHOWS TYPICAL PARTS ONLY. ORDER BY PART NUMBER. PARTS NOT LISTED ARE SUPPLIED BY OEM.

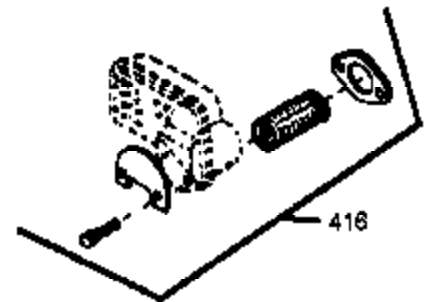
VIEW 4 OF 4



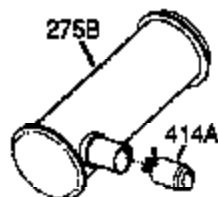
OPTIONAL DEBRIS SCREEN KIT



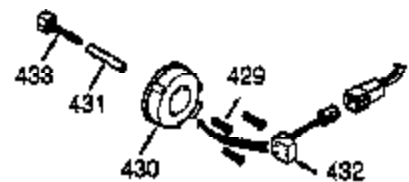
OPTIONAL STARTER MUFF KIT



OPTIONAL SPARK ARRESTOR KIT



OPTIONAL QUIET MUFFLER



OPTIONAL ADD-ON ALTERNATOR AC LIGHTING OR DC CHARGING

Engine Parts List #4

Ref #	Part Number	Qty	Description
103	650814	2	Screw, Torx T-15, 10-24 x 1"
110A	35987	1	Oil Shut-Down Wire & Terminal
129	650727	2	Screw, 5/16-18 x 1-3/4"
131A	650738	1	Screw, 1/4-20 x 5/8"
264	650802	1	Screw, 1/4-20 x 5/8"
327	35392	1	Starter Plug
342	30063	1	Screw, Torx T-30, 1/4-20 x 1/2"
390	590671	1	Rewind Starter (NOTE: This engine could have been built with 590704 starter. Refer to the design of the air intake louvers for part identification. Individual starter parts do not interchange.)
420	730225	1	SAE 30 4-Cycle Engine Oil (Quart)