



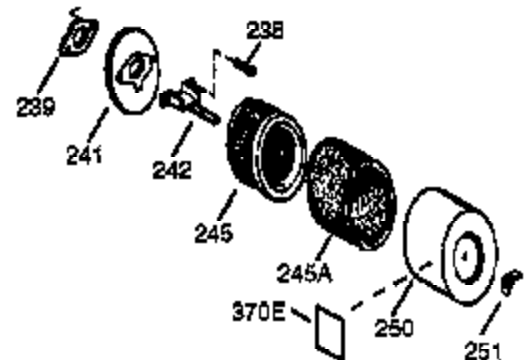
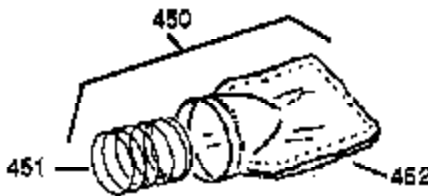
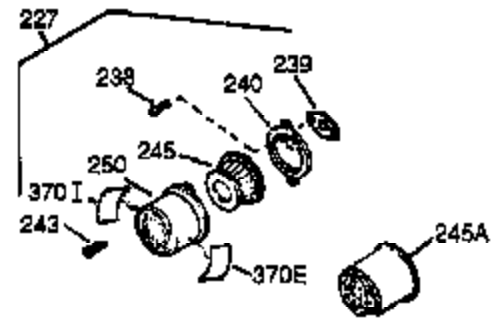
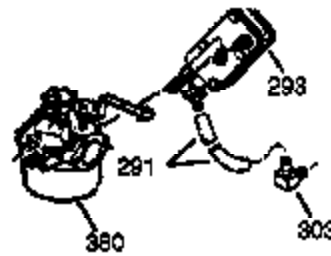
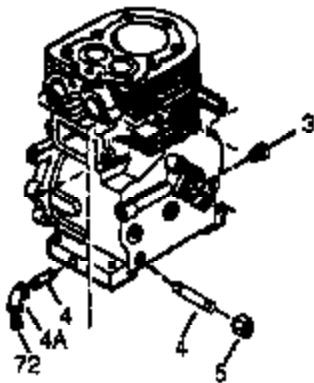
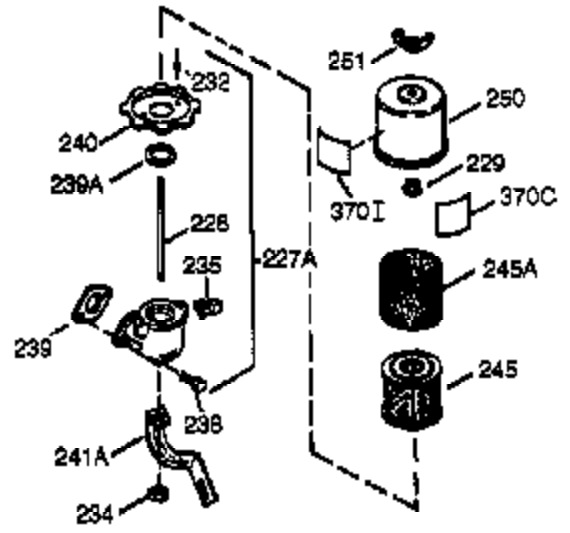
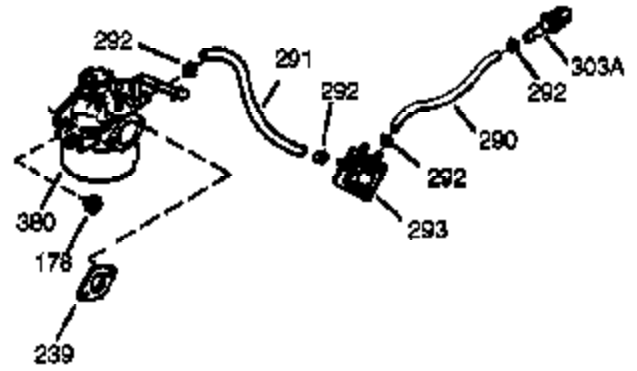
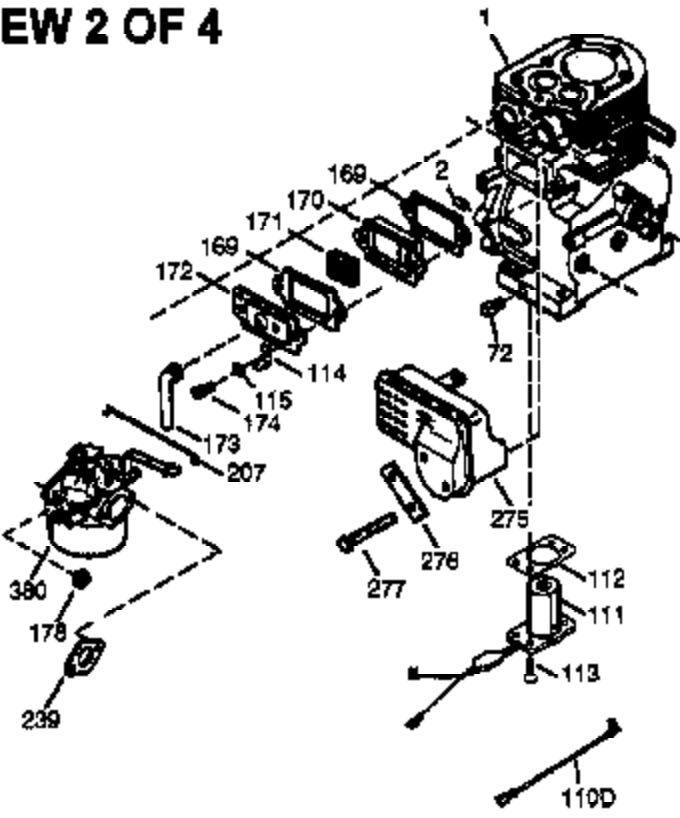
Engine Parts List #1

Ref #	Part Number	Qty	Description
1	35385	1	Cylinder (Incl. 2 & 20)
2	27652	1	Dowel Pin
15	30699C	1	Governor Rod (Incl. 15A & 15B)
15B	650494	1	Screw, 6-40 x 5/16"
15A	30700	1	Governor Yoke
16	33454	1	Governor Lever
17	29916	1	Governor Lever Clamp
18	650548	1	Screw, 8-32 x 5/16"
20	35319	1	Oil Seal
25	35326	1	Blower Housing Baffle
26	650561	2	Screw, 1/4-20 x 5/8"
28	30322	1	Lock Nut, 8-32
30	35372A	1	Crankshaft
35	29826	1	Screw, 10-32 x 3/4"
37	29216	1	Lock Nut, 10-32
38	29642	1	Retaining Ring
40	34552	1	Piston, Pin & Ring Set (Std.)
40	34553	1	Piston, Pin & Ring Set (.010" OS)
40	34554	1	Piston, Pin & Ring Set (.020 OS)
41	34329A	1	Piston & Pin Ass'y. (Std.)(Incl. 43)
41	34330A	1	Piston & Pin Ass'y. (.010" OS) (Incl. 43)
41	34331A	1	Piston & Pin Ass'y. (.020" OS) (Incl. 43)
42	34332	1	Ring Set (Std.)
42	34333	1	Ring Set (.010" OS)
42	34334	1	Ring Set (.020" OS)
43	27888	1	Piston Pin Retaining Ring
45	35373A	1	Connecting Rod Ass'y. (Incl. 46,47 & 49)
46	650908	1	Connecting Rod Bolt
47	650882	1	Connecting Rod Bolt
48	34034	1	Valve Lifter
49	35374	1	Oil Dipper
50	35375	1	Camshaft (MCR)
60	33273A	1	Blower Housing Extension
65	650128	1	Screw, 10-24 x 1/2"
69	35262	1	* Cylinder Cover Gasket
70	35376	1	Cylinder Cover (Incl. 71, 75 & 80)
71	35377	1	Crankshaft Bushing
72	27642	2	Oil Drain Plug
80	31845	1	Governor Shaft
81	30590A	1	Washer
82	35378	1	Governor Gear Ass'y. (Incl. 81)
83	30588A	1	Governor Spool
84	29193	1	Retaining Ring
86	650833	7	Screw, 1/4-20 x 1-3/16"
87	650832	1	Screw, 1/4-20 x 1-11/16"
89	32589	1	Flywheel Key
90	611090	1	Flywheel
92	650880	1	Lock Washer
93	650881	1	Flywheel Nut
94	33450	1	Lock Nut, 10-32
95	30886A	1	Extension Spring
96	30845A	1	R.P.M. Adjusting Bolt
100	35135	1	Solid State Ignition
102	650272	2	Solid State Mounting Stud
103	650814	2	Screw, Torx T-15, 10-24 x 1"
119	34041A	1	* Cylinder Head Gasket
120	34030A	1	Cylinder Head
125	27878A	1	Exhaust Valve (Std.) (Incl. 151)

Ref #	Part Number	Qty	Description
125	27880A	1	Exhaust Valve (1/32" OS) (Incl.151)
126	34035	1	Intake Valve (Std.) (Incl. 151)
126	34036	1	Intake Valve (1/32" OS) (Incl. 151)
127	650691	2	Washer
128	650690	7	Belleville Washer
130	650694A	9	Screw, 5/16-18 x 2"
131A	30063	1	Screw, Torx T-30, 1/4-20 x 1/2"
131	650788	2	Screw, 5/16-18 x 3/4"
135	34251	1	Spark Plug (Autolite 456 or equivalent)
139	33369	1	Governor Gear Bracket
140	650836	2	Screw, 10-24 x 1/2"
149	27882	1	Valve Spring Cap
149A	34689	1	Valve Spring Cap
150	27882	2	Valve Spring
151	32581	2	Valve Spring Keeper
169	27896A	2	* Breather Gasket
170	28423	1	Breather Body
171	28424	1	Breather Element
172	28425	1	Valve Cover
173	34696	1	Breather Tube
173A	32446	1	Breather Tube Grommet
174	650128	2	Screw, 10-24 x 1/2"
178	29752	2	Nut & Lock Washer, 1/4-28
182	30088A	2	Screw, 1/4-28 x 1"
184	33263	1	* Carburetor To Intake Pipe Gasket
185	34707	1	Intake Pipe
207	33878	1	Throttle Link
223	650378	2	Screw, Torx T-30, 5/16-18 x 1-1/8"
224	27915A	1	* Intake Pipe Gasket
225	35043	1	Carburetor Tube
260	33375C	1	Blower Housing
262	29747B	2	Screw, Torx T-40, 5/16-24 x 21/32"
265	33272A	1	Cylinder Head Cover
275	33756A	1	Muffler
276	31588	1	Locking Plate
277	650729	2	Screw, 5/16-18 x 3-3/16"
281	33013	1	Starter Bubble Cover
282	650760	1	Screw, 8-32 x 3/8"
285	35287	1	Starter Cup
286	35446	1	Starter Screen
287	29752	4	Nut & Lock Washer, 1/4-28
300	34186A	1	Fuel Tank (Incl. 292 & 301)
301	35355	1	Fuel Cap
311	35941	1	Oil Fill Plug (Incl. 312)
312	29673	1	* "O" Ring
327	35392	1	Starter Plug
342	650273	2	Screw, 1/4-20 x 1/2"
370A	35274	1	Instruction Decal
370	34346	1	Instruction Decal
380	632325	1	Carburetor (Incl. 184)
390	590633	1	Rewind Starter
400	33279G	1	Gasket Set (Incl. items marked *)
420	730225	1	SAE30 4-Cycle Engine Oil (Quart)

ILLUSTRATION SHOWS TYPICAL PARTS ONLY. ORDER BY PART NUMBER. PARTS NOT LISTED ARE SUPPLIED BY OEM.

VIEW 2 OF 4

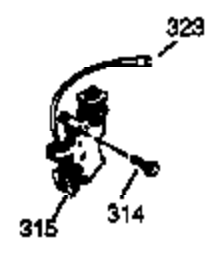
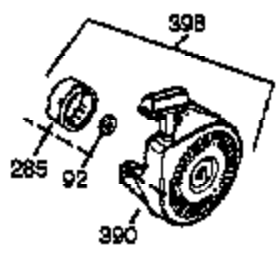
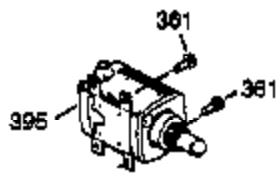
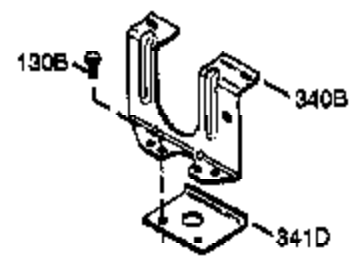
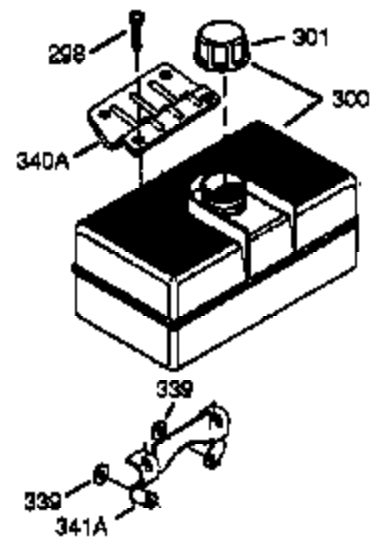
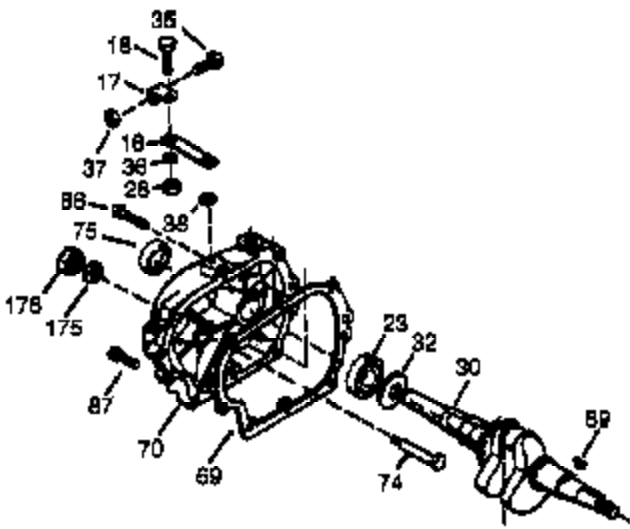
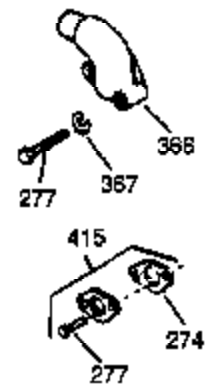
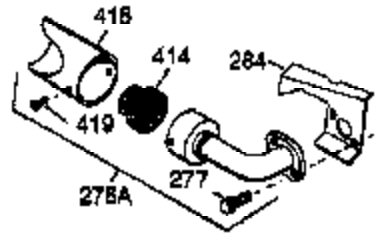
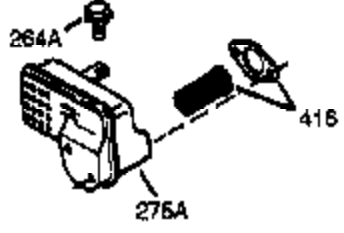
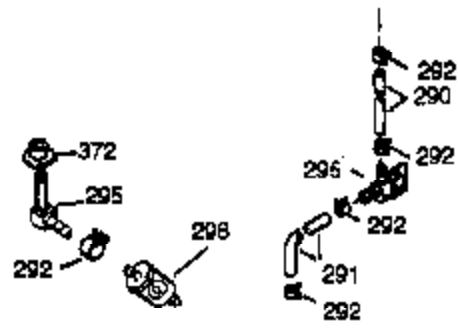
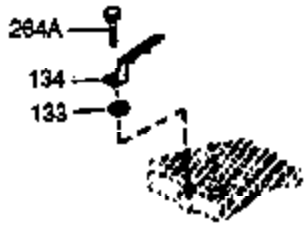


Engine Parts List #2

Ref #	Part Number	Qty	Description
	1 35385	1	Cylinder (Incl. 2 & 20)
	2 27652	1	Dowel Pin
	72 27642	2	Oil Drain Plug
131A	30063	1	Screw, Torx T-30, 1/4-20 x 1/2"
131	650788	2	Screw, 5/16-18 x 3/4"
169	27896A	2	* Breather Gasket
170	28423	1	Breather Body
171	28424	1	Breather Element
172	28425	1	Valve Cover
173A	32446	1	Breather Tube Grommet
174	650128	2	Screw, 10-24 x 1/2"
178	29752	2	Nut & Lock Washer, 1/4-28
207	33878	1	Throttle Link
225	35043	1	Carburetor Tube
227	35044	1	Air Cleaner Base (Incl. 232,229,239A &242)
228	650851	1	Stud, 1/4-20 x 8.1"
229	650825	1	Nut & Lock Washer, 1/4-20
232	XXXXX	2	Pop Rivet (1/8") (Can be purchased locally)
234	650852	1	Nut, 1/4-20
235	30675	1	Air Cleaner Elbow Fitting
239	27272A	1	* Air Cleaner Gasket
239A	34698A	1	Air Cleaner Gasket
241	35045	1	Air Cleaner Collar
242	34699	1	Air Cleaner Base
245	34700	1	Air Cleaner Filter (Incl. 229)
245A	34703	1	Air Cleaner Filter
250	34702	1	Air Cleaner Cover
251	650513	1	Wing Nut, 1/4-20
275	33756A	1	Muffler
276	31588	1	Locking Plate
277	650729	2	Screw, 5/16-18 x 3-3/16"
290	30962	1	Fuel Line
291	29774	1	Fuel Line
292	26460	1	Fuel Line Clamp
380	632325	1	Carburetor (Incl. 184)
420	730225	1	SAE30 4-Cycle Engine Oil (Quart)

ILLUSTRATION SHOWS TYPICAL PARTS ONLY. ORDER BY PART NUMBER. PARTS NOT LISTED ARE SUPPLIED BY OEM.

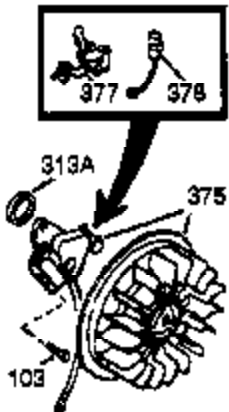
VIEW 3 OF 4



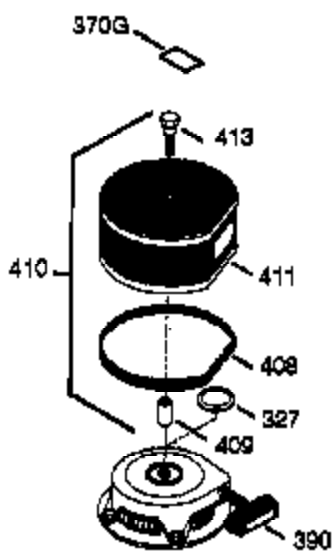
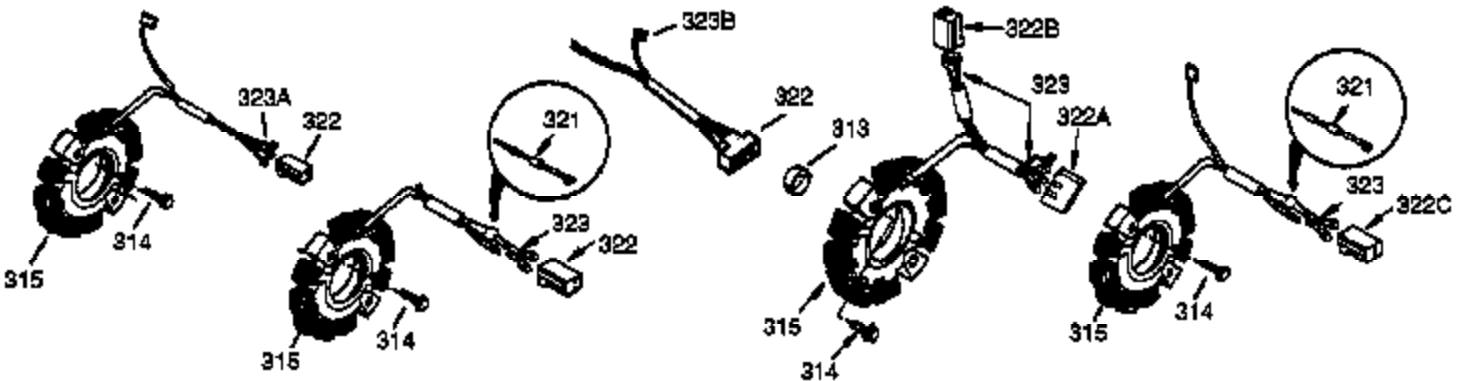
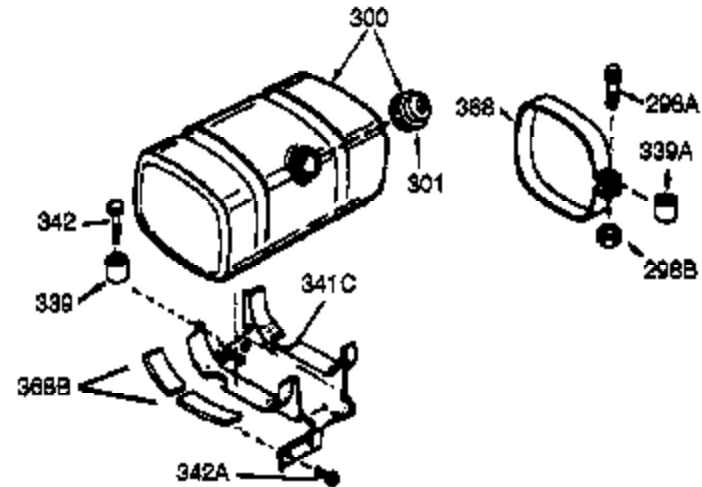
Ref #	Part Number	Qty	Description
16	33454	1	Governor Lever
17	29916	1	Governor Lever Clamp
18	650548	1	Screw, 8-32 x 5/16"
28	30322	1	Lock Nut, 8-32
30	35372A	1	Crankshaft
35	29826	1	Screw, 10-32 x 3/4"
36	29918	1	Lock Washer
37	29216	1	Lock Nut, 10-32
38	29642	1	Retaining Ring
69	35262	1	* Cylinder Cover Gasket
70	35376	1	Cylinder Cover (Incl. 71, 75 & 80)
75	35319	1	Oil Seal
86	650833	7	Screw, 1/4-20 x 1-3/16"
87	650832	1	Screw, 1/4-20 x 1-11/16"
89	32589	1	Flywheel Key
92	650880	1	Lock Washer
131A	30063	1	Screw, Torx T-30, 1/4-20 x 1/2"
131	650788	2	Screw, 5/16-18 x 3/4"
133	650890	1	Lock Washer
134	30747	1	Shorting Clip
173A	32446	1	Breather Tube Grommet
225	35043	1	Carburetor Tube
264A	650802	1	Screw, 1/4-20 x 5/8"
277	650729	2	Screw, 5/16-18 x 3-3/16"
285	35287	1	Starter Cup
290	30962	1	Fuel Line
291	29774	1	Fuel Line
292	26460	1	Fuel Line Clamp
295	35857	1	Fuel Shut-Off Valve
298	650665	2	Screw, 1/4-15 x 3/4"
300	34186A	1	Fuel Tank (Incl. 292 & 301)
301	35355	1	Fuel Cap
339	35880	2	Spacer
340A	34259	1	Fuel Tank Bracket
341A	34258A	1	Fuel Tank Bracket
390	590633	1	Rewind Starter
420	730225	1	SAE30 4-Cycle Engine Oil (Quart)

ILLUSTRATION SHOWS TYPICAL PARTS ONLY. ORDER BY PART NUMBER. PARTS NOT LISTED ARE SUPPLIED BY OEM.

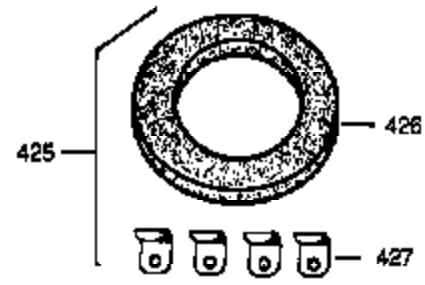
VIEW 4 OF 4



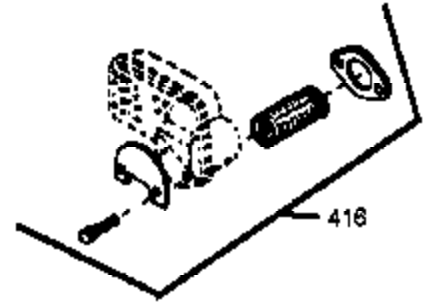
STD. POINT



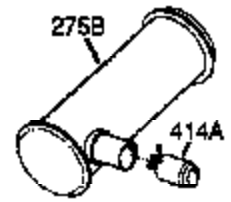
OPTIONAL DEBRIS SCREEN KIT



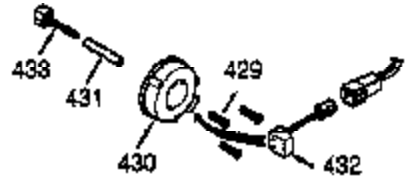
OPTIONAL STARTER MUFF KIT



OPTIONAL SPARK ARRESTOR KIT



OPTIONAL QUIET MUFFLER



OPTIONAL ADD-ON ALTERNATOR AC LIGHTING OR DC CHARGING

Ref #	Part Number	Qty	Description
103	650814	2	Screw, Torx T-15, 10-24 x 1"
131A	30063	1	Screw, Torx T-30, 1/4-20 x 1/2"
131	650788	2	Screw, 5/16-18 x 3/4"
173A	32446	1	Breather Tube Grommet
225	35043	1	Carburetor Tube
300	34186A	1	Fuel Tank (Incl. 292 & 301)
301	35355	1	Fuel Cap
327	35392	1	Starter Plug
339	35880	2	Spacer
342	650273	2	Screw, 1/4-20 x 1/2"
390	590633	1	Rewind Starter
420	730225	1	SAE30 4-Cycle Engine Oil (Quart)