

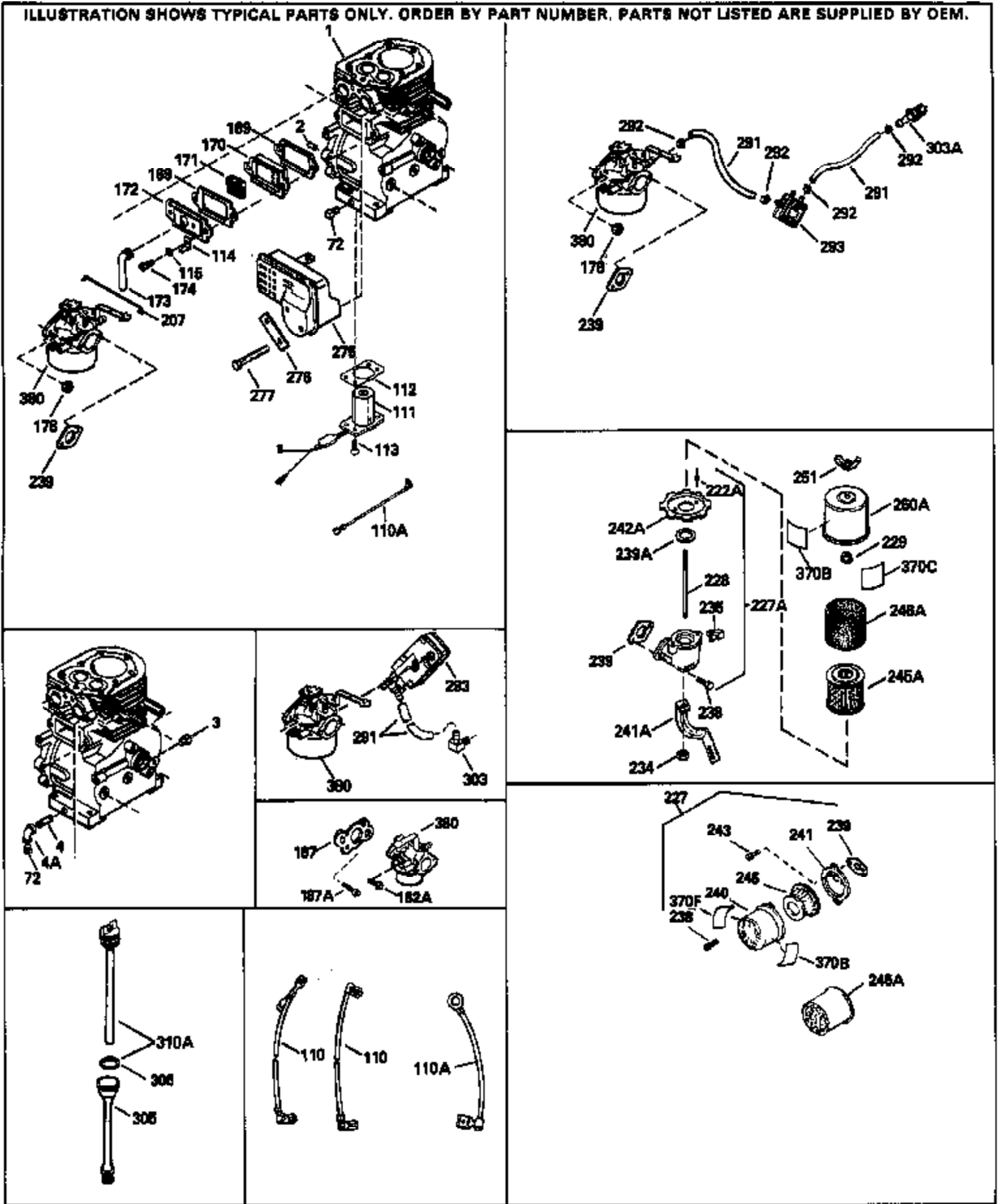
Engine Parts List #1

| Ref # | Part Number | Qty | Description |
|-------|-------------|-----|---|
| 1 | 35385 | | Cylinder (Incl. 2,20,72,72A) (3-1/8" Bore) |
| 2 | 27652 | | Pin, Dowel |
| 3 | 650820 | | Screw, 1/4-20 x 1/2" |
| 4 | 30968 | | Nipple, Pipe |
| 5 | 30969 | | Cap, Oil drain |
| 15B | 650494 | | Screw, 6-40 x 5/16" |
| 15A | 30700 | | Yoke, Governor |
| 15 | 30699C | | Rod Assy., Governor (Incl. 15A & 15B) |
| 16 | 33454 | | Governor Lever Assy. |
| 17 | 29916 | | Clamp, Governor lever |
| 18 | 650548 | | Screw, 8-32 x 5/16" |
| 20 | 35319 | | Seal, Oil |
| 25 | 36460 | | Baffle, Blower housing |
| 26 | 650561 | | Screw, 1/4-20 x 5/8" |
| 30 | 36245 | | Crankshaft |
| 35 | 29826 | | Screw, 10-32 x 3/4" |
| 36 | 29918 | | Lockwasher, # 8 E.T. |
| 37A | 30322 | | Locknut, 8-32 |
| 37 | 29216 | | Nut & Lockwasher, 10-32 |
| 38 | 29642 | | Ring, Retaining |
| 40 | 34552 | | Piston, Pin & Ring Set (Std.) (3-1/8" Bore) |
| 40 | 34553 | | Piston, Pin & Ring Set (.010" OS) |
| 40 | 34554 | | Piston, Pin & Ring Set (.020" OS) |
| 41 | 34329A | | Piston & Pin Ass'y. (3-1/8")(Std.)(In cl. 43) |
| 41 | 34330A | | Piston & Pin Ass'y. (.010" OS) (Incl. 43) |
| 41 | 34331A | | Piston & Pin Ass'y. (.020" OS) (Incl. 43) |
| 42 | 34332 | | Ring Set (Std.) (3-1/8" Bore) |
| 42 | 34333 | | Ring Set (.010" OS) |
| 42 | 34334 | | Ring Set (.020" OS) |
| 43 | 27888 | | Ring, Piston pin retaining |
| 45 | 35373A | | Rod Assy., Connecting (Incl. 49) |
| 46 | 650908 | | Bolt, Connecting rod |
| 47 | 650882 | | Bolt, Connecting rod |
| 48 | 34034 | | Lifter, Valve |
| 49 | 35374 | | Dipper, Oil |
| 50 | 35375 | | Camshaft (MCR) |
| 60 | 33273A | | Extension, Blower housing |
| 61 | 34126 | | Bracket, Grommet mounting |
| 62 | 650760 | | Screw, 8-32 x 3/8" |
| 63 | 28545 | | Grommet, Plastic |
| 65 | 650128 | | Screw, 10-24 x 1/2" |
| 69 | 35262 | | * Gasket, Cylinder cover |
| 70 | 35376 | | Cover, Cylinder (Incl. 75, 80, 311 & 312) |
| 71 | 35377 | | Bushing, Crankshaft |
| 72 | 27642 | | Plug, Oil drain |
| 75 | 35319 | | Seal, Oil |
| 80 | 31845 | | Shaft, Mechanical governor |
| 81 | 30590A | | Washer, Flat |
| 82 | 35378 | | Gear Assy., Governor (Incl. 81) |
| 83 | 30588A | | Spool, Governor |
| 84 | 29193 | | Ring, Retaining |
| 86 | 650833 | | Screw, 1/4-20 x 1-3/16" |
| 87 | 650832 | | Screw, 1/4-20 x 1-11/16" |
| 89 | 32589 | | Key, Flywheel |
| 90 | 611091 | | Flywheel (w/ring gear) |
| 92 | 650880 | | Washer, Belleville |
| 93 | 650881 | | Hex Nut, 5/8-18 |
| 100 | 35135 | | Lamination Assy., Solid State |

| Ref # | Part Number | Qty | Description |
|-------|-------------|-----|---|
| 102 | 650872 | | Stud, Lamination mounting |
| 103 | 650814 | | Screw, Torx T-15, 10-24 x 1" |
| 110 | 35253 | | Ground Wire |
| 119 | 34041A | | * Gasket, Head |
| 120 | 34030A | | Head, Cylinder |
| 125 | 27878A | | Exhaust Valve (Std.) (Incl. 151) |
| 125 | 27880A | | Exhaust Valve (1/32" OS) (Incl. 151) |
| 126 | 34035 | | Intake Valve (Std.) (Incl. 151) |
| 126 | 34036 | | Intake Valve (1/32" OS) (Incl. 151) |
| 127 | 650691 | | Washer (Use as req., but not w/6021A screw) |
| 128 | 650690 | | Washer, Belleville |
| 129 | 650727 | | Screw, 5/16-18 x 1-3/4" (Use as required) |
| 130 | 650694A | | Screw, 5/16-18 x 2" (Use as required) |
| 130A | 6021A | | Screw, 5/16-18 x 1-1/2" (Use as req.,but not w/650691 washer) |
| 131A | 650713 | | Screw, 5/16-18 x 5/8" (Use as required) |
| 135 | 35395 | | Resistor Spark Plug (RJ19LM) |
| 139 | 33369 | | Bracket, Governor gear |
| 140 | 650836 | | Screw, 10-24 x 1/2" |
| 149A | 27882 | | Cap, Upper valve spring |
| 149A | 35862 | | Seal Assy., Intake valve |
| 149 | 27882 | | Cap, Upper valve spring |
| 150 | 27881 | | Spring, Valve |
| 151 | 32581 | | Cap, Lower valve spring |
| 169 | 27896A | | * Gasket, Breather cover |
| 170 | 28423 | | Body, Breather |
| 171 | 28424 | | Element, Breather |
| 172 | 28425 | | Cover, Valve spring |
| 173 | 35350 | | Tube, Breather |
| 178 | 29752 | | Nut & Lockwasher, 1/4-28 |
| 182 | 30088A | | Screw, 1/4-28 x 1" |
| 183 | 34587 | | Bracket, Choke |
| 184 | 33263 | | * Gasket, Carburetor |
| 185 | 33877 | | Pipe, Intake |
| 186A | 34667 | | Link, Governor |
| 200 | 34677 | | Control Bracket (Incl. 203, 204, 206 & 209) |
| 203 | 31342 | | Spring, Compression |
| 204 | 650549 | | Screw, 5-40 x 7/16" |
| 206 | 610973 | | Terminal Assy. (Use as required) |
| 207 | 33878 | | Link, Governor-to-throttle |
| 209 | 650821 | | Screw, 10-32 x 1/2" |
| 211 | 28820 | | Screw, 10-32 x 1/2" |
| 215 | 35440 | | Knob, Control |
| 219 | 34586 | | Rod, Choke |
| 220 | 35438 | | Knob, Control |
| 222 | 28820 | | Screw, 10-32 x 1/2" |
| 223 | 650378 | | Screw, Torx T-30, 5/16-18 x 1-1/8" |
| 224 | 27915A | | * Gasket, Intake pipe |
| 260 | 35447A | | Blower Housing (For electric starter) |
| 261 | 650788 | | Screw, 5/16-18 x 3/4" |
| 262 | 29747B | | Screw, 5/16-24 x 21/32" |
| 265 | 33272B | | Cover, Cylinder head |
| 275 | 35056 | | Muffler |
| 276 | 35740 | | Plate, Muffler locking |
| 281 | 33013 | | Cover, Starter bubble |
| 282 | 650760 | | Screw, 8-32 x 3/8" |
| 285 | 35287 | | Cup, Starter |

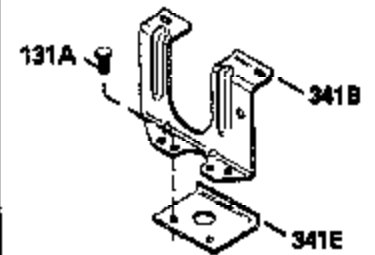
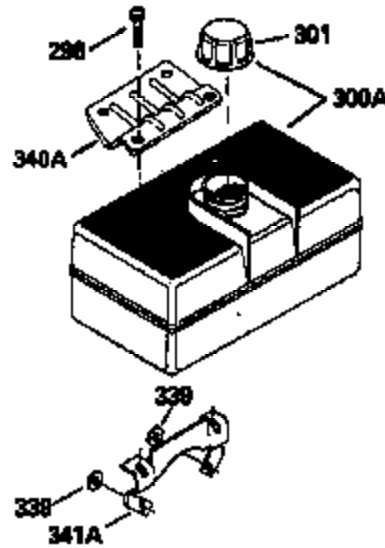
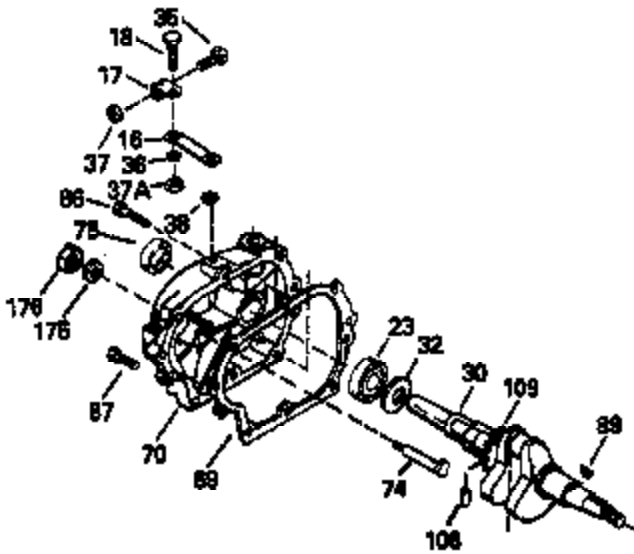
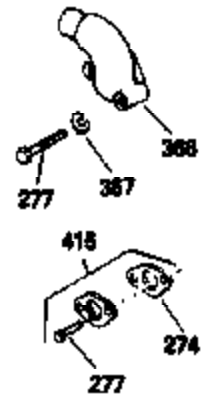
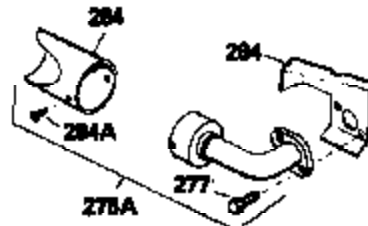
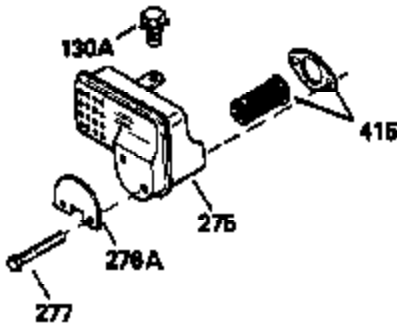
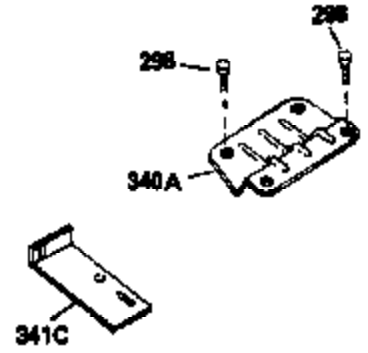
| Ref # | Part Number | Qty | Description |
|-------|-------------|-----|--|
| 286 | 35446 | | Screen, Starter (Stationary) |
| 287 | 29752 | | Nut & Lockwasher, 1/4-28 |
| 290 | 30705 | | Fuel Line (Braided 16") (41 cm) |
| 292 | 26460 | | Clamp, Fuel line |
| 298 | 650665 | | Screw, 1/4-15 x 7/8" |
| 300 | 34156A | | Fuel Tank (Incl. 292 & 301) NOTE: These tanks were built with different size fuel inlet openings. Tanks with the 1-3/16" I.D. opening use fuel cap 34210. Tanks with the 1-1/2" I.D. opening use fuel cap 35355. |
| 301 | 35355 | | Fuel Cap |
| 305 | 35554 | | Tube, Oil fill |
| 306 | 35499 | | "O" Ring |
| 310 | 36205 | | Dipstick |
| 325B | 29443 | | Clip, Fuel line (Use as required) |
| 325 | 34246 | | Clip, Ground wire (Use as required) |
| 327 | 35392 | | Plug, Starter |
| 328 | 35062 | | Ignition Key |
| 329 | 610973 | | Terminal Assy. |
| 330 | 35305 | | Wire, Ground |
| 330 | 34069 | | Wire Harness (6-3/4") (7 Amp) |
| 337 | 35057A | | Cover, Carburetor |
| 338 | 28942 | | Screw, 10-32 x 3/8" |
| 340 | 34154 | | Plate, Fuel tank mounting |
| 342 | 650561 | | Screw, 1/4-20 x 5/8" |
| 350 | 570682 | | Primer Assy. |
| 351 | 32180C | | Primer Line |
| 355 | 590574 | | Handle, Mitten grip |
| 356 | 650168 | | Washer, Flat |
| 364 | 33377 | | Bracket, Carburetor cover mounting |
| 365 | 650767 | | Screw, 8-32 x 27/64" |
| 370J | 34870 | | Decal, Instruction Can be used on HM80 with diecast starter. |
| 370A | 34686 | | Decal, Name |
| 370B | 34387 | | Decal, Instruction Can be used on HM80 with stamped steel recoil starter. |
| 370C | 34417 | | Decal, Primer |
| 370E | 35077 | | Decal, Instruction |
| 370 | 34416 | | Decal, Instruction |
| 370 | 35274 | | Decal, Instruction |
| 379 | 631021 | | Inlet Needle, Seat & Clip Assy. |
| 380 | 632334A | | Carburetor (Incl. 184) (Refer to Division 5, Section A, page A3-10 for breakdown or Fiche 18A-2, Grid F-3) |
| 390 | 590630 | | Rewind Starter (Refer to Division 5, Section C, page 30 for breakdown or Fiche 18A-2, Grid G-1) |
| 400 | 33279G | | Gasket Set (Incl. items marked*) |
| 407 | 35836 | | Fill Tube & Dipstick Assy. (Incl. 306 & 308) |
| 420 | 730225 | | SAE 30, 4-Cycle Engine Oil (Quart) |
| 421 | 730226 | | SAE 5W30, 4-Cycle Engine Oil (Quart) |

ILLUSTRATION SHOWS TYPICAL PARTS ONLY. ORDER BY PART NUMBER. PARTS NOT LISTED ARE SUPPLIED BY OEM.



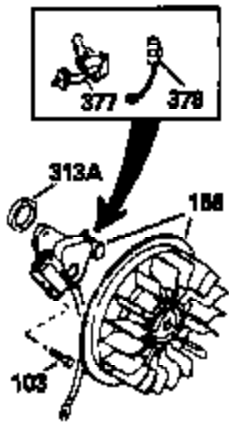
| Ref # | Part Number | Qty | Description |
|-------|-------------|-----|--|
| 1 | 35385 | | Cylinder (Incl. 2,20,72,72A) (3-1/8" Bore) |
| 2 | 27652 | | Pin, Dowel |
| 3 | 650820 | | Screw, 1/4-20 x 1/2" |
| 4 | 30968 | | Nipple, Pipe |
| 72 | 27642 | | Plug, Oil drain |
| 110 | 35253 | | Ground Wire |
| 169 | 27896A | | * Gasket, Breather cover |
| 170 | 28423 | | Body, Breather |
| 171 | 28424 | | Element, Breather |
| 172 | 28425 | | Cover, Valve spring |
| 173 | 35350 | | Tube, Breather |
| 178 | 29752 | | Nut & Lockwasher, 1/4-28 |
| 207 | 33878 | | Link, Governor-to-throttle |
| 227 | 730127 | | Air Cleaner Ass'y. (Incl. 238, 239, 240, 241, 243, 245 & 370)(Use as required) |
| 227 | 730164 | | Air Cleaner Ass'y. (Incl. 238, 239, 240, 241, 243 & 245) (Use as required) |
| 228 | 650824 | | Stud, 1/4-20 x 7.33 (Use as required) |
| 228 | 650851 | | Stud, 1/4-20 x 8.1 (Use as required)(Used with drilled thru elbow) |
| 275 | 35056 | | Muffler |
| 276 | 35740 | | Plate, Muffler locking |
| 291 | 29774 | | Fuel Line (Braided 8-1/4") (21 cm) |
| 292 | 26460 | | Clamp, Fuel line |
| 305 | 35554 | | Tube, Oil fill |
| 306 | 35499 | | "O" Ring |
| 370J | 34870 | | Decal, Instruction Can be used on HM80 with diecast starter. |
| 370B | 34387 | | Decal, Instruction Can be used on HM80 with stamped steel recoil starter. |
| 370C | 34417 | | Decal, Primer |
| 380 | 632334A | | Carburetor (Incl. 184) (Refer to Division 5, Section A, page A3-10 for breakdown or Fiche 18A-2, Grid F-3) |

ILLUSTRATION SHOWS TYPICAL PARTS ONLY. ORDER BY PART NUMBER. PARTS NOT LISTED ARE SUPPLIED BY OEM.

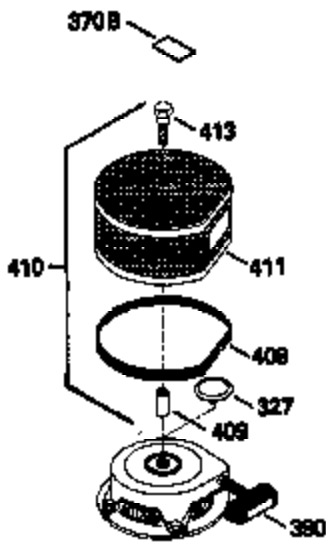
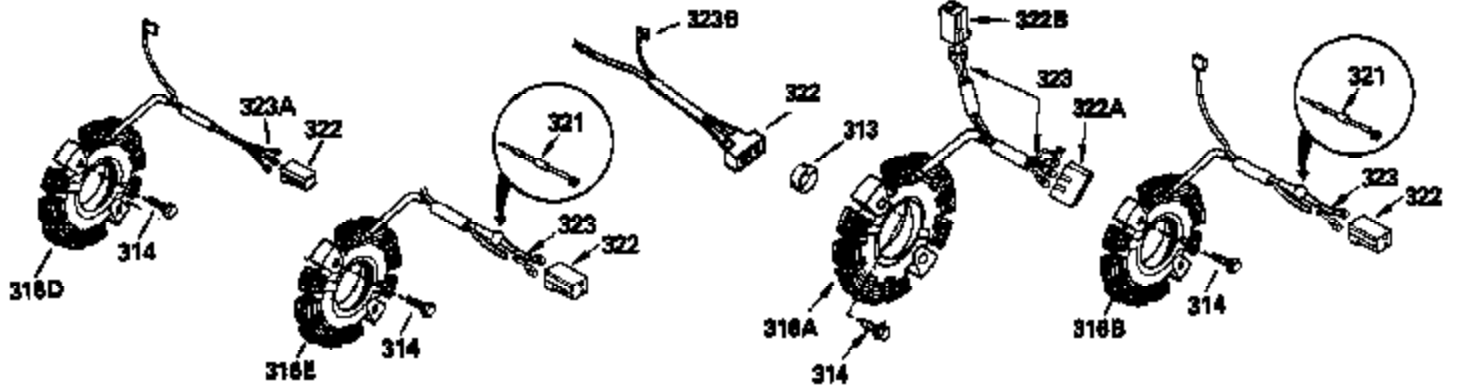
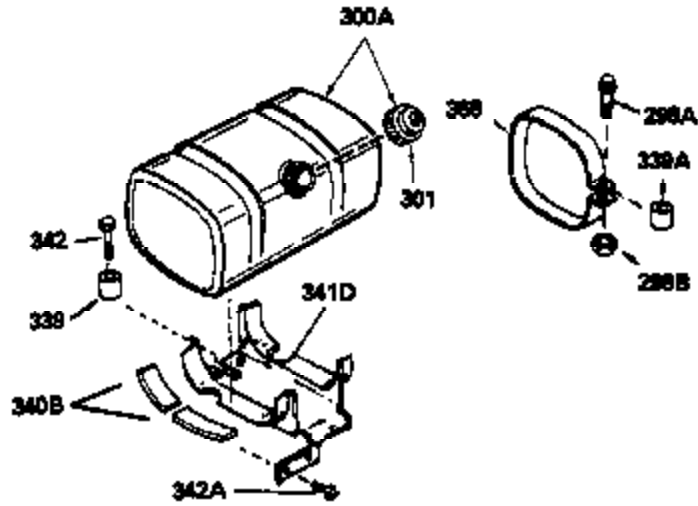


| Ref # | Part Number | Qty | Description |
|-------|-------------|-----|---|
| | 16 33454 | | Governor Lever Assy. |
| | 17 29916 | | Clamp, Governor lever |
| | 18 650548 | | Screw, 8-32 x 5/16" |
| | 30 36245 | | Crankshaft |
| | 35 29826 | | Screw, 10-32 x 3/4" |
| | 36 29918 | | Lockwasher, # 8 E.T. |
| | 37 29216 | | Nut & Lockwasher, 10-32 |
| | 37A 30322 | | Locknut, 8-32 |
| | 38 29642 | | Ring, Retaining |
| | 69 35262 | | * Gasket, Cylinder cover |
| | 70 35376 | | Cover, Cylinder (Incl. 75, 80, 311 & 312) |
| | 75 35319 | | Seal, Oil |
| | 86 650833 | | Screw, 1/4-20 x 1-3/16" |
| | 87 650832 | | Screw, 1/4-20 x 1-11/16" |
| | 89 32589 | | Key, Flywheel |
| | 130A 6021A | | Screw, 5/16-18 x 1-1/2" (Use as req.,but not w/650691 washer) |
| | 131A 650713 | | Screw, 5/16-18 x 5/8" (Use as require d) |
| | 131 650802 | | Screw, 1/4-20 x 5/8" (Use as required) |
| | 131 650738 | | Screw, 1/4-20 x 5/8 (Use as required) |
| | 274 35865 | | Gasket, Exhaust (Use as required) |
| | 275 35056 | | Muffler |
| | 298 650665 | | Screw, 1/4-15 x 7/8" |
| | 301 35355 | | Fuel Cap |
| | 369 35857 | | Valve, Fuel shut-off |
| | 370J 34870 | | Decal, Instruction Can be used on HM80 with diecast starter. |
| | 415 730130 | | Exh.Adaptor Kit (Incl.274,277)(As req uired) |

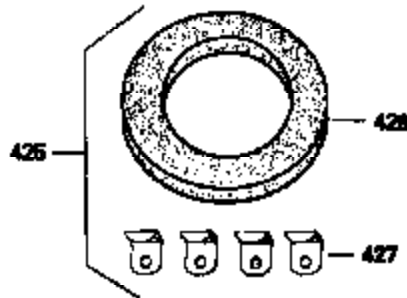
ILLUSTRATION SHOWS TYPICAL PARTS ONLY. ORDER BY PART NUMBER. PARTS NOT LISTED ARE SUPPLIED BY OEM.



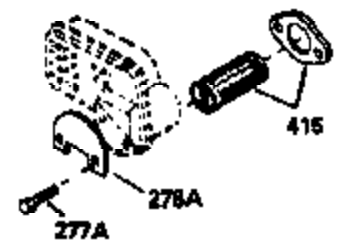
STD. POINT



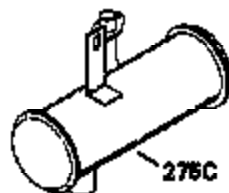
OPTIONAL DEBRIS SCREEN KIT



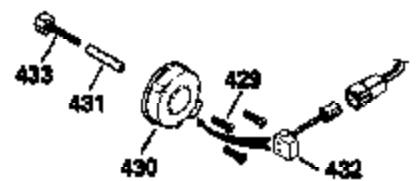
OPTIONAL STARTER MUFF KIT



OPTIONAL SPARK ARRESTOR KIT



OPTIONAL QUIET MUFFLER



OPTIONAL ADD-ON ALTERNATOR AC LIGHTING OR DC CHARGING

| Ref # | Part Number | Qty | Description |
|-------|-------------|-----|---|
| 103 | 650814 | | Screw, Torx T-15, 10-24 x 1" |
| 275C | 35824 | | Muffler (Optional quiet muffler) |
| 277A | 650696 | | Screw, 5/16-18 x 2-3/4" (Used with 27 6A) |
| 301 | 35355 | | Fuel Cap |
| 327 | 35392 | | Plug, Starter |
| 342 | 650561 | | Screw, 1/4-20 x 5/8" |
| 370J | 34870 | | Decal, Instruction Can be used on HM80 with diecast starter. |
| 370B | 34387 | | Decal, Instruction Can be used on HM80 with stamped steel recoil starter. |
| 390 | 590630 | | Rewind Starter (Refer to Division 5, Section C, page 30 for breakdown or Fiche 18A-2, Grid G-1) |
| 408 | 35570 | | Seal, Screen (Can be used on HM80 with stamped steel recoil starter.) |
| 409 | 35569 | | Spacer, Screen |
| 410 | 730573 | | Debris Screen Kit (Incl. 327, 370B, 408, 409, 411 & 413) |
| 411 | 35568 | | Screen, Debris |
| 413 | 650907 | | Screw, 5/16-18 x 1-5/8" (Can be used on HM80 with stamped steel recoil starter) |
| 415 | 730130 | | Exh.Adaptor Kit (Incl.274,277)(As required) |
| 425 | 730572 | | Starter Muff Kit (Incl. 370J, 426 & 4 27) |
| 426 | 34687 | | Air cleaner, Starter |
| 427 | 34869 | | Starter Air Cleaner Bracket (Optional) |
| 429 | 650868 | | Screw, 8-18 x 1-1/8" (3 Required) |
| 430 | 611077 | | Alternator, Add on |
| 431 | 590609 | | Centering tube (Use with engines equipped with diecast aluminum starter) |
| 431 | 590610 | | Centering tube |
| 432 | 611078 | | A.C. Lighting Connector |
| 432 | 611079 | | D.C. Charging Connector |
| 433 | 590611 | | Alternator Shaft (4.00") (Use with engines equipped with diecast aluminum starter) |
| 433 | 590636 | | Alternator Shaft (Use with engines equipped with stamped steel starter) (Use as required) (Refer to Mechanic's Handbook for installation instructions). |